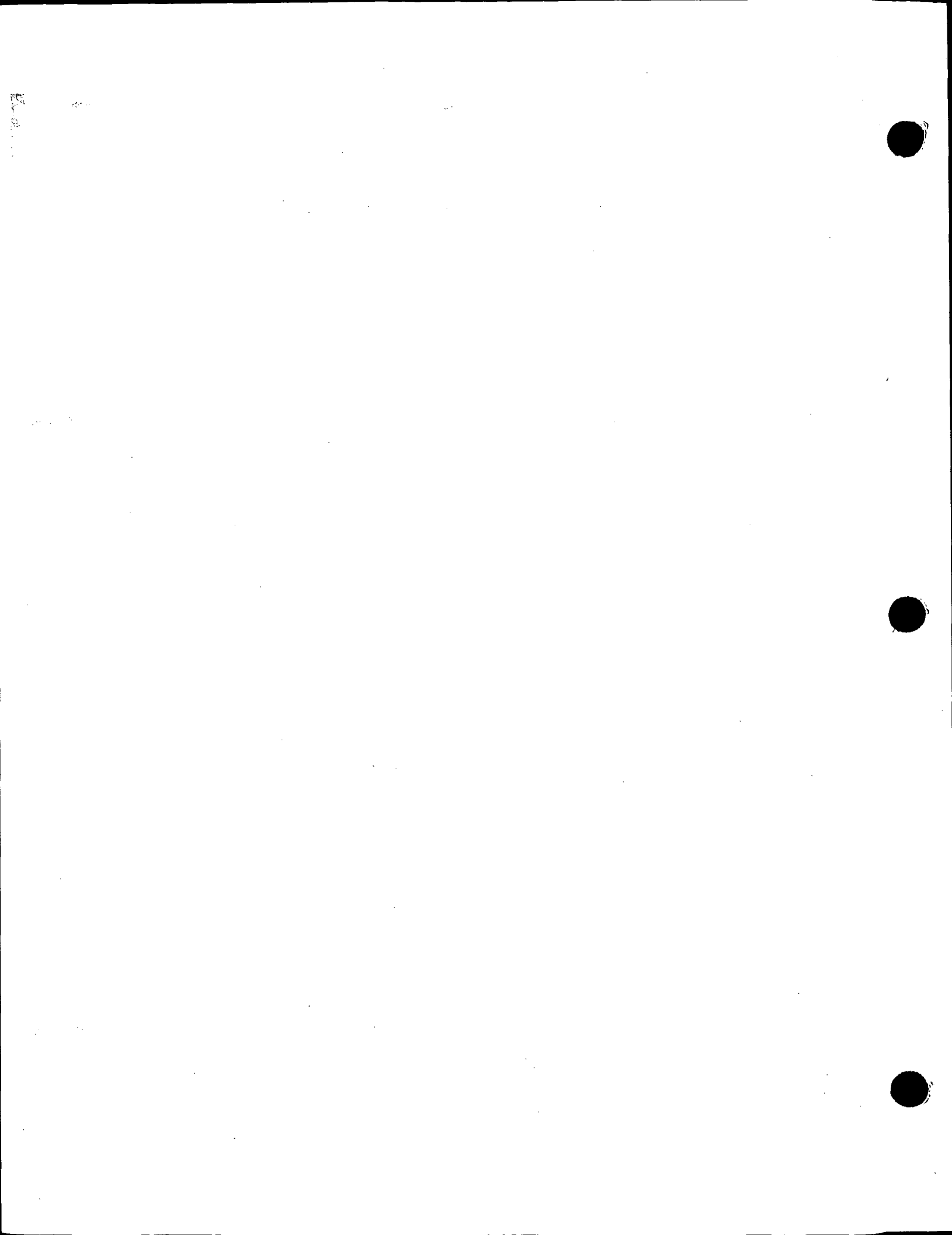




PRC 2000-2M SYSTEMS

PARTS LIST

SERVICE MANUAL ADDENDUM





MANUAL NO. 5050-0373

REV. D

BLANK

INTRODUCTION

This addendum contains information necessary to identify replacement parts required to maintain the PRC 2000-2M System.

MAJOR UNITS AND ASSEMBLIES

Table 1. Lists the major units and assemblies comprising the PRC 2000-2M System and the corresponding page numbers.

PARTS LIST

The Parts List is arranged in major assembly sequence. Subassemblies and components within each assembly are listed in index number order. Index numbers for items having reference will not be shown on the figure illustrating assembly.

INDEX NUMBER

Items are identified by index numbers. These numbers are used in the corresponding illustration to identify the part.

REFERENCE NUMBER

This column lists the complete reference number for the listed item. Reference numbers for assemblies and parts of the PRC 2000-2M System reflect those items identified in schematic diagrams located in the Service Manual and PC Board Troubleshooting Service Manual.

PART NUMBER

The part numbers listed in the Part Number column are assigned by the manufacturer.

DESCRIPTION

The description column provides descriptive data of the parts.

FEDERAL SUPPLY CATALOG OF MANUFACTURERS (FSCM)

This column identifies the commercial (manufacturer) or government entity responsible for the item.

QUANTITY

This column identifies the quantity of items used in or to attach the next higher assembly.

SCHEMATICS AND WIRE DIAGRAMS

Table 2. Lists the Schematics and Wire Diagrams of the PRC 2000 power source and the HS 150 HotSpot System.

REF. NO.	PART NO.	DESCRIPTION	PAGE NO.
1	7908-0187	Power Source, PPS 400, 115V W/Accessories	6
1A1	7008-0187	Power Source, PPS 400, 115V	10
1A2	6021-0006	Cleaning Station, SMT	60
1A3	6008-0115	Foot Pedal, Treadline	66
1A4	6910-0077	Extractor, Solder, SX-70 W/Accessories	68
1A5	6925-0014	Sodr-Pen, 21V 48W, SP-2 W/Accessories	82
1A6	7923-0002	ThermoJet, Mini, TJ-70	88
1A7	7924-0001	ThermoPik, TP-65 W/Accessories	94
1A8	7925-0001	ThermoTweez, TT-65 W/Accessories	102
1A9	7926-0001	MicroChine, MC-65	112
1A10	7027-0001-P1	Pik-Vac, PV-65	122
1A11	7909-0005	ResisTweez, TW-15 W/Accessories	126
1A12	7012-0002-P1	StripTweez Handpiece, TS-15	134
1A13	7913-0004-02	LapFlo, LF-15 W/Accessories	138
1A14	7920-0001	ConducTweez Handpiece, CT-15 W/Accessories	142
1A15	6993-0152	Kit, Paste Dispenser	148
1MP1	6993-0166	Kit, Handle, Power Source	150
1MP2	6019-0043	Kit, Stand, Tip & Tool, SP	152
1MP3	6019-0044	Kit, Stand, Tip & Tool, SX	154
1MP4	6019-0046	Kit, Stand, Tip & Tool, TT	156
1MP5	6019-0038	Cubby, Paste Dispenser	158
1MP6	6019-0022	Cubby, SMR	160
1MP7	1257-0186-P1	Stand, Chart Holder W/Mt. Hardware	162
1MP8	6019-0023	Redi-Rak, Handpiece	164
1MP9	6021-0007	Redi-Rak, Tip	166
1W1	1332-0094	Power Cord, Detachable, Domestic	168
1W2	7000-0023	Power Cord, Universal Detach., Spade Lug	170
2	8040-0001	HotSpot, HS 150 W/Accessories	172
2A1	7040-0002	HotSpot, HS 150	174
2A2	6040-0002	Assembly, Clamp Arm	200
2A3	6993-0102	Assembly, Thermal Selectivity	202

Table 1. List Of Major Units And Assemblies

ITEM NO.	DESCRIPTION	PAGE NO.
1	PRC 2000 Wiring Diagram	204
2	PRC 2000 Microprocessor Board Schematic	206
3	PRC 2000 Multifunction Board Schematic	210
4	PRC 2000 Display Board Schematic	216
5	HS 150 Wiring Diagram	217
6	HS 150 Main Board Schematic	218
7	HS 150 Display Board Schematic	221

Table 2. Schematics And Wire Diagrams



PROPRIETARY PARTS LIST

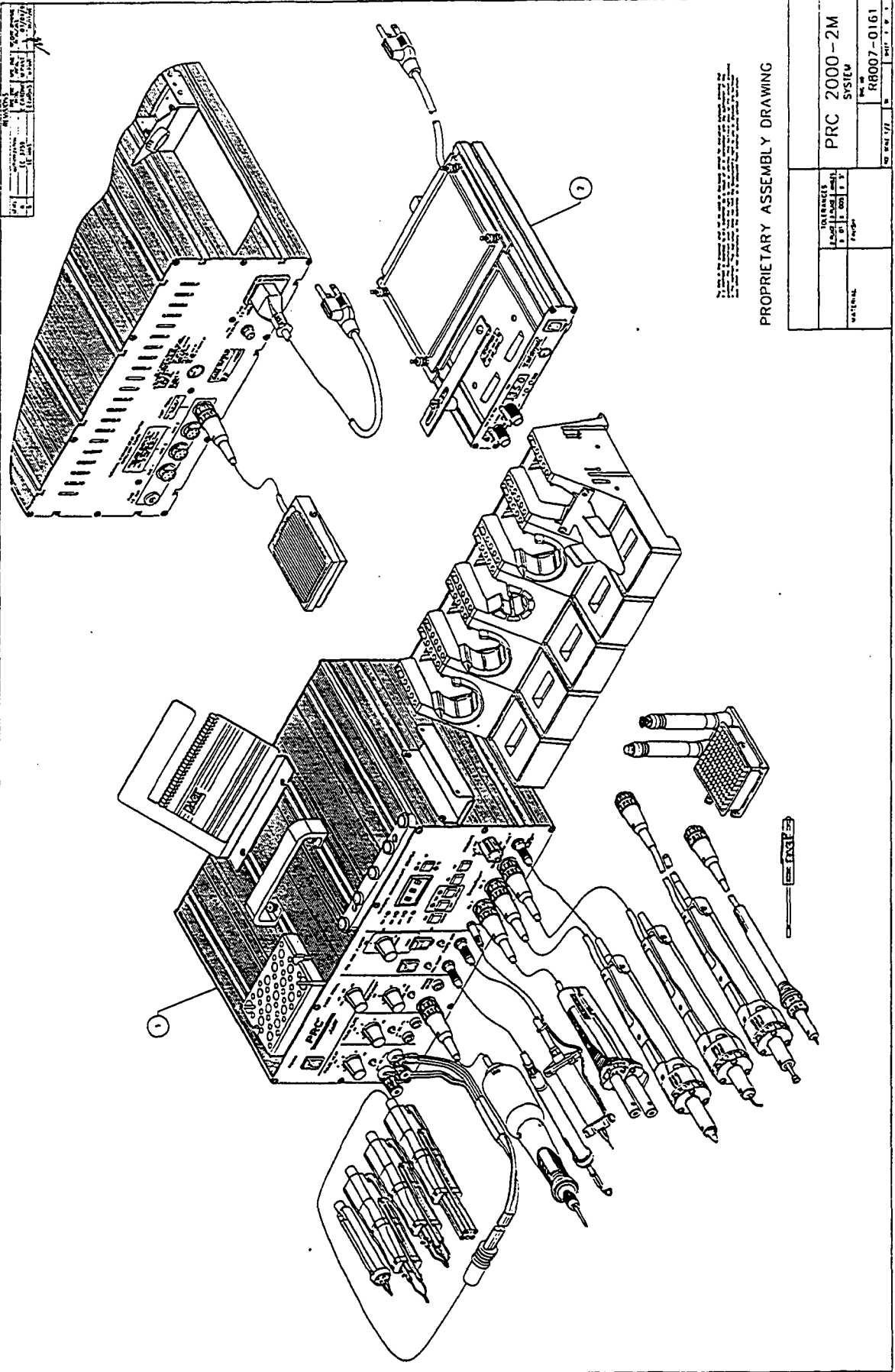
The data in this proposal shall not be used or disclosed, except for evaluation purposes, provided that if a contract is awarded to this submitter as a result of or in connection with the submission of this proposal, the Government shall have the right to use or disclose this technical data to the extent provided in the contract. This restriction does not limit the Government's right to use or disclose any technical data which is not proprietary to the submitter or is obtained from another source without restriction.

DWG. NO: R8007-0161 REV: A EC NO: 3759 DATE: 3/4/94 APP: 

TITLE: PRC 2000-2M SYSTEM B EC NO: 4083 DATE: 08/11/95

INDEX	REFERENCE NO.	PART NO.	DESCRIPTION	FSCM	QTY
REF 1	1	8007-0161	PRC 2000-2M SYSTEM	17794	REF 1
2	2	7908-0187	POWER SOURCE, PPS 400, 115V W/ACCESSORIES	17794	1
		8040-0001	HOT SPOT 150 W/ACCESSORIES	17794	1

REV	DATE	BY	DESCRIPTION
1	10/1/77
2



PROPRIETARY ASSEMBLY DRAWING

INTEGRATED CIRCUITS CORPORATION		PRC 2000-2M SYSTEM	
Page		Rev. # R8007-0161	
DATE		REV. DATE	



PROPRIETARY PARTS LIST

The data in this proposal shall not be used or disclosed, except for evaluation purposes, provided that if a contract is awarded to this submitter, as a result of or in connection with the submission of this proposal, the Government shall have the right to use or disclose this technical data to the extent provided in the contract. This restriction does not limit the Government's right to use or disclose any technical data which is not proprietary to the submitter or is obtained from another source without restriction.

DWG. NO: R7908-0187

REV: A EC NO: 3759 DATE: 3/4/94
 AMENDED P/L FORMAT: 8/23/94

APP: *JA*

TITLE: POWER SOURCE, PPS 400, 115V W/ACCESSORIES

B EC NO: 4083 DATE: 08/11/95

INDEX	REFERENCE NO.	PART NO.	DESCRIPTION	FSCM	QTY
REF					REF
1	1	7908-0187	POWER SOURCE, PPS 400, 115V W/ACCESSORIES	17794	1
1A1		7008-0187	POWER SOURCE, PPS 400, 115V	17794	1
1A2		6021-0006	CLEANING STATION, SMT	17794	1
1A3		6008-0115	FOOT PEDAL, TREADLINE	17794	1
1A4		6910-0077	EXTRACTOR, SOLDER, SX-70 W/ACCESSORIES	17794	1
1A5		6925-0014	SODR-PEN, 21V 48W, SP-2 W/ACCESSORIES	17794	1
1A6		7923-0002	THERMOJET, MINI, TJ-70	17794	1
1A7		7924-0001	THERMOPIK, TP-65 W/ACCESSORIES	17794	1
1A8		7925-0001	THERMOTWEEZ, TT-65 W/ACCESSORIES	17794	1
1A9		7926-0001	MICROCHINE, MC-65	17794	1
1A10		7027-0001-P1	PIK-VAC, PV-65	17794	1
1A11		7909-0005	RESISTWEEZ, TW-15 W/ACCESSORIES	17794	1
1A12		7012-0002-P1	STRIPTWEEZ HANDPIECE, TS-15	17794	1
1A13		7913-0004-02	LAPFLO, LF-15 W/ACCESSORIES	17794	1
1A14		7920-0001	CONDUCTWEEZ HANDPIECE, CT-15 W/ACCESSORIES	17794	1
1A15		6993-0152	KIT, PASTE DISPENSER	17794	1
1MP1		6993-0166	KIT, HANDLE, POWER SOURCE	17794	1
1MP2		6019-0043	KIT, STAND, TIP & TOOL, SP	17794	1
1MP3		6019-0044	KIT, STAND, TIP & TOOL, SX	17794	3
1MP4		6019-0046	KIT, STAND, TIP & TOOL, TT	17794	1
1MP5		6019-0038	CUBBY, PASTE DISPENSER	17794	1
1MP6		6019-0022	CUBBY, SMR	17794	1
1MP7		1257-0186-P1	STAND, CHART HOLDER W/MTG.HARDWARE	17794	1
1MP8		6019-0023	REDI-RAK, HANDPIECE	17794	1
1MP9		6021-0007	REDI-RAK, TIP	17794	1
1W1		1332-0094	POWER CORD, DETACHABLE, DOMESTIC	17794	1
		17251		18U49	
1W2		7000-0023	POWER CORD, UNIVERSAL, DETACH., SPADE LUG	17794	1

DWG. NO: R7908-0187

REV: A EC NO: 3759 DATE: 3/4/94
AMENDED P/L FORMAT: 8/23/94

APP:

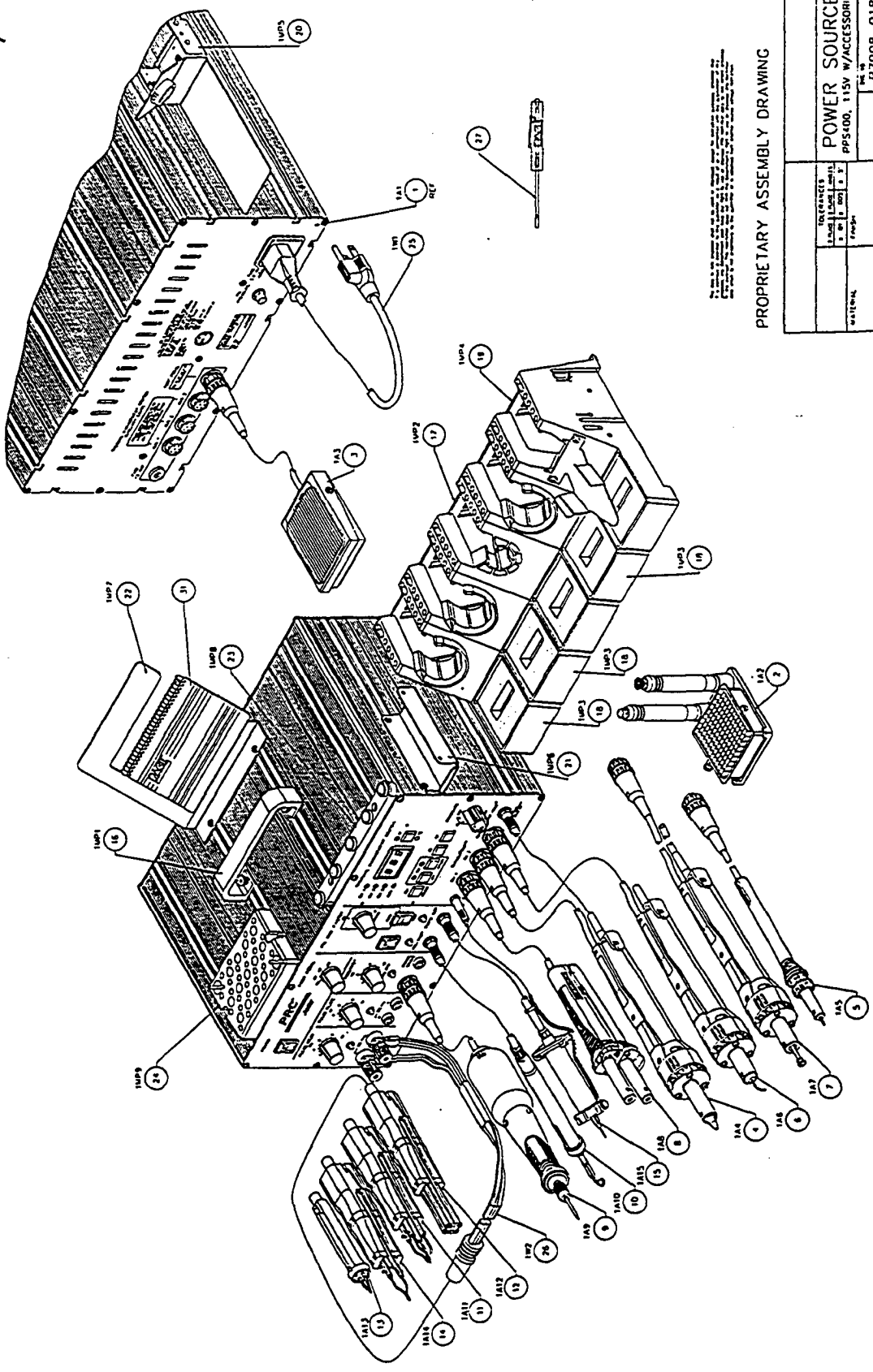
TITLE: POWER SOURCE, PPS 400, 115V W/ACCESSORIES

B EC NO: 4083 DATE: 08/11/95

INDEX	REFERENCE NO.	PART NO.	DESCRIPTION	FSCM	QTY
27		1100-0230	SCREWDRIVER, PACE	17794	1
28		6050-0001	INST. MANUAL W/BINDER PRC 2000	17794	1
29		5050-0344	MANUAL, SERVICE, PRC 2000 SYSTEM	17794	1
30		5050-0365	ADDENDUM, SERVICE MANUAL, PCB TROUBLESHOOT	17794	1
31		5050-0251	CHART, TIP & TEMP	17794	1

BLANK

REV	DATE	BY	CHKD
1			
2			
3			
4			



PROPRIETARY ASSEMBLY DRAWING

DIMENSIONS IN MILLIMETERS 1:1800		PART NO. POWER SOURCE PPS400, 1.15V W/ACCESSORIES	DRAWING NO. R7908-0187
MATERIAL ALUMINUM		QUANTITY 1	

4007 1 7108-0187



PROPRIETARY PARTS LIST

The data in this proposal shall not be used or disclosed, except for evaluation purposes, provided that if a contract is awarded to this submitter as a result of or in connection with the submission of this proposal, the Government shall have the right to use or disclose this technical data to the extent provided in the contract. This restriction does not limit the Government's right to use or disclose any technical data which is not proprietary to the submitter or is obtained from another source without restriction.

DWG. NO: R7008-0187

REV: A ECNO: 3759 DATE: 3/4/94
 AMENDED P/L FORMAT: 8/23/94

APP: *M*

TITLE: POWER SOURCE, PPS 400, 115V

REV: B ECNO: 4083 DATE: 08/11/95

INDEX	REFERENCE NO.	PART NO.	DESCRIPTION	FSCM	QTY
REF					REF
1	1A1	7008-0187	POWER SOURCE, PPS 400, 115V	17794	1
2	1A1A1	1336-0028	MOTOR PUMP ASSY (PUMP 1)	17794	1
3	1A1A2	1336-0027	MICROPUMP ASSY, PPS 400 (PUMP 2)	17794	1
4	1A1A3	1338-0072	PUMP ASSY, LOW PRESSURE, 21V (PUMP 3)	17794	1
5	1A1A4	6020-0074	PCB, MULTIFUNCTION, PPS 400	17794	1
6	1A1A5	6020-0072	PCB, MICROPROCESSOR, PPS 400	17794	1
7	1A1A6	6020-0073	PCB, DISPLAY, PPS 400	17794	1
	1A1BR1	1196-0012	RECTIFIER, BRIDGE, 25A, 200V(BR1)	ZZZ	1
		GENERIC			
8	1A1C1	1181-0117	CAPACITOR, ELECTR., 33000uF, 25V (C1)	17794	1
		3186BC333U025AM		59821	
		KME25LG333T35 X 100		62643	
		DCM333T025AB2A		93790	
9	1A1C2	1181-0116	CAPACITOR, ELECTR., 22000uF, 25V (C2)	17794	1
		3186BC333U025AM		59821	
		KME25LG333T35 X 100		62643	
		DCM333T025AB2A		93790	
10	1A1CB1	1159-0263	CIRCUIT BREAKER, AUTO RESET, 1.5A 250VAC (CB1)	17794	1
		46-500-PI0-1.5A		06402	
11A	1A1D1	1183-0046	DIODE, LED, RED/GREEN, T-1 3/4 (LED1)	17794	1
		L-59EGW		ZZZ	
		LT2482-23		ZZZ	
		SSL-LX5099-IGW/R		1EM90	
11B	1A1D2	1183-0046	DIODE, LED, RED/GREEN, T-1 3/4 (LED2)	17794	1
		L-59EGW		ZZZ	
		LT2482-23		ZZZ	
		SSL-LX5099-IGW/R		1EM90	

DWG. NO: R7008-0187

REV: A EC NO: 3759 DATE: 3/4/94
AMENDED P/L FORMAT: 8/23/94

APP:

TITLE: POWER SOURCE, PPS 400, 115V

REV: B EC NO: 4083 DATE: 08/11/95

INDEX	REFERENCE NO.	PART NO.	DESCRIPTION	FSCM	QTY
11C	1A1D3	1183-0046 L-59EGW LT2482-23 SSL-LX5099-IGW/R	DIODE, LED, RED/GREEN, T-1 3/4 (LED3)	17794 ZZZ ZZZ IEM90	1
11D	1A1D4	1183-0046 L-59EGW LT2482-23 SSL-LX5099-IGW/R	DIODE, LED, RED/GREEN, T-1 3/4 (LED4)	17794 ZZZ ZZZ IEM90	1
11E	1A1D5	1183-0046 L-59EGW LT2482-23 SSL-LX5099-IGW/R	DIODE, LED, RED/GREEN, T-1 3/4 (LED5)	17794 ZZZ ZZZ IEM90	1
12A	1A1E1	1349-0037 2-36154	LUG, RING, #10, INS., 22-16 AWG	17794 09769	2
12B	1A1E2	1349-0037 2-36154	LUG, RING, #10, INS., 22-16 AWG	17794 09769	2
13A	1A1E3	1349-0039 2-34161-1	LUG, RING, #10, INS., 16-14 AWG	17794 09769	1
13B	1A1E4	1349-0039 2-34161-1	LUG, RING, #10, INS., 16-14 AWG	17794 09769	1
14	1A1E5	1349-0253 ST-181-00	SOLDER SLEEVE, 22-26 AWG	17794 06090	1
15	1A1E6	1348-0550 1496	LUG, SOLDER, 1/4" ID	17794 83330	2
16	1A1F1	1159-0253 34.3914	FUSE, 5.0A, TIME LAG, 5 X 20MM, UL (F1)	17794 61935	1
17	1A1F2	1159-0257 3AG12 311012	FUSE, 12A, FAST, 1/4" X 1 1/4", UL (F2)	17794 92912 7E222	1
18A	1A1H1	1415-0007 GENERIC	LOCKWASHER, 5/16", INT. TOOTH	17794 ZZZ	1
18B	1A1H2	1415-0007 GENERIC	LOCKWASHER, 5/16", INT. TOOTH	17794 ZZZ	1

DWG. NO: R7008-0187

APP:

REV: A EC NO: 3759 DATE: 3/4/94

AMENDED P/L FORMAT: 8/23/94

TITLE: POWER SOURCE, PPS 400, 115V

REV: B EC NO: 4083 DATE: 08/11/95

INDEX	REFERENCE NO.	PART NO.	DESCRIPTION	FSCM	QTY
18C	1A1H3	1415-0007 GENERIC	LOCKWASHER, 5/16", INT. TOOTH	17794 ZZZ	1
18D	1A1H4	1415-0007 GENERIC	LOCKWASHER, 5/16", INT. TOOTH	17794 ZZZ	1
18E	1A1H5	1415-0007 GENERIC	LOCKWASHER, 5/16", INT. TOOTH	17794 ZZZ	1
19A	1A1H6	1415-0026 GENERIC	WASHER, FLAT, #6, WIDE	17794 ZZZ	3
19B	1A1H7	1415-0026 GENERIC	WASHER, FLAT, #6, WIDE	17794 ZZZ	2
19C	1A1H8	1415-0026 GENERIC	WASHER, FLAT, #6, WIDE	17794 ZZZ	4
20	1A1H9	1415-0027	PLATE, GROUND LOCKING (CHGND)	17794	2
21A	1A1H10	1415-0005 GENERIC	LOCKWASHER, #10, INT. TOOTH	17794 ZZZ	2
21B	1A1H11	1415-0005 GENERIC	LOCKWASHER, #10, INT. TOOTH	17794 ZZZ	2
22A	1A1H12	1415-0017 GENERIC	WASHER, FLAT, #8	17794 ZZZ	4
22B	1A1H13	1415-0017 GENERIC	WASHER, FLAT, #8	17794 ZZZ	4
22C	1A1H14	1415-0017 GENERIC	WASHER, FLAT, #8	17794 ZZZ	4
22D	1A1H15	1415-0017 GENERIC	WASHER, FLAT, #8	17794 ZZZ	8
23A	1A1H16	1410-0020 GENERIC	NUT, HEX, #6-32 W/LOCKWASHER	17794 ZZZ	4
23B	1A1H17	1410-0020 GENERIC	NUT, HEX, #6-32 W/LOCKWASHER	17794 ZZZ	1
23C	1A1H18	1410-0020 GENERIC	NUT, HEX, #6-32 W/LOCKWASHER	17794 ZZZ	2
23D	1A1H19	1410-0020 GENERIC	NUT, HEX, #6-32 W/LOCKWASHER	17794 ZZZ	4

DWG. NO: R7008-0187

REV: A EC NO: 3759 DATE: 3/4/94
REV: B EC NO: 4083 DATE: 08/11/95

APP:

TITLE: POWER SOURCE, PPS 400, 115V
AMENDED P/L FORMAT: 8/23/94

INDEX	REFERENCE NO.	PART NO.	DESCRIPTION	FSCM	QTY
24A	1A1H20	1410-0021 GENERIC	NUT, HEX, #8-32 W/LOCKWASHER	17794 ZZZ	4
24B	1A1H21	1410-0021 GENERIC	NUT, HEX, #8-32 W/LOCKWASHER	17794 ZZZ	3
24C	1A1H22	1410-0021 GENERIC	NUT, HEX, #8-32 W/ LOCKWASHER	17794 ZZZ	4
24D	1A1H23	1410-0021 GENERIC	NUT, HEX, #8-32 W/LOCKWASHER	17794 ZZZ	3
24E	1A1H24	1410-0021 GENERIC	NUT, HEX, #8-32 W/LOCKWASHER	17794 ZZZ	4
24F	1A1H25	1410-0021 GENERIC	NUT, HEX, #8-32 W/LOCKWASHER	17794 ZZZ	8
25	1A1H26	1410-0033 GENERIC	NUT, HEX, 5/16-24	17794 ZZZ	1
26A	1A1H27	1410-0019 GENERIC	NUT, HEX, #4-40 W/LOCKWASHER	17794 ZZZ	2
26B	1A1H28	1410-0019 GENERIC	NUT, HEX, #4-40 W/LOCKWASHER	17794 ZZZ	2
26C	1A1H29	1410-0019 GENERIC	NUT, HEX, #4-40 W/LOCKWASHER	17794 ZZZ	2
26D	1A1H30	1410-0019 GENERIC	NUT, HEX, # 4-40 W/LOCKWASHER	17794 ZZZ	4
27A	1A1H31	1349-0045 GENERIC	TY-WRAP	17794 ZZZ	20
27B	1A1H32	1349-0045 GENERIC	TY-WRAP	17794 ZZZ	16
28A	1A1H33	1405-0074 GENERIC	SCREW, BINDER HD., #10-32 X 3/8" LG., SLOTTED	17794 ZZZ	2
28B	1A1H34	1405-0074 GENERIC	SCREW, BINDER HE., #10-32 X 3/8" LG., SLOTTED	17794 ZZZ	2
29	1A1H35	1405-0034 GENERIC	SCREW, BINDER HD, #6-32, X 3/4" LG., SLOTTED	17794 ZZZ	2

DWG. NO: R7008-0187

TITLE: POWER SOURCE, PPS 400, 115V

REV: A EC NO: 3759 DATE: 3/4/94
REV: B EC NO: 4083 DATE: 08/11/95

APP:

INDEX	REFERENCE NO.	PART NO.	DESCRIPTION	FSCM	QTY
30	1A1H36	1349-0254 WTT-18V	TY-WRAP, NYLON, .1" WIDE X 8.0" LG.	17794 06915	1
31	1A1H37	1289-0017 4950	TAPE, FOAM, 20" WIDE (QTY 1 @ 7/8" LG.)	17794 52152	7/8"
32A	1A1H38	1405-0582 GENERIC	SCREW, THRD FORM, PAN HD., PHIL, REC, #6-32 X .38" LG	17794 ZZZ	10
32B	1A1H39	1405-0582 GENERIC	SCREW, THRD FORM, PAN HD., PHIL, REC, #6-32 X .38" LG	17794 ZZZ	13
33A	1A1H40	1405-0635 GENERIC	SCREW, HEX HD., CAP, #8-32 X .38" LG.	17794 ZZZ	3
33B	1A1H41	1405-0635 GENERIC	SCREW, HEX HD., CAP, #8-32 X .38" LG.	17794 ZZZ	4
33C	1A1H42	1405-0635 GENERIC	SCREW, HEX HD., CAP, #8-32 X .38" LG.	17794 ZZZ	8
34A	1A1H43	1405-0398-02 GENERIC	SCREW, PAN HD., #6-32 X .31" LG, W/LOCKWASHER	17794 ZZZ	4
34B	1A1H44	1405-0398-02 GENERIC	SCREW, PAN HD., #6-32 X .31" LG, W/LOCKWASHER	17794 ZZZ	4
35A	1A1H45	1410-0033 GENERIC	NUT, HEX, 5/16"-24	17794 ZZZ	1
35B	1A1H46	1410-0033 GENERIC	NUT, HEX, 5/16"-24	17794 ZZZ	1
35C	1A1H47	1410-0033 GENERIC	NUT, HEX, 5/16"-24	17794 ZZZ	1
35D	1A1H48	1410-0033 GENERIC	NUT, HEX, 5/16"-24	17794 ZZZ	1
36	1A1H49	1415-0069	WASHER, FLAT, .170 ID X .313 OD	17794	3
37	1A1H50	1415-0058 GENERIC	WASHER, #10, PLAIN	17794 ZZZ	3
38	1A1H51	1415-0006 GENERIC	LOCKWASHER, 1/4", INT. TOOTH	17794 ZZZ	1
39	1A1H52		ITEM DELETED PER EC 4083, REV B		

DWG. NO: R7008-0187

REV: A EC NO: 3759 DATE: 3/4/94
REV: B EC NO: 4083 DATE: 08/11/95

APP:

TITLE: POWER SOURCE, PPS 400, 115V

AMENDED P/L FORMAT: 8/23/94

INDEX	REFERENCE NO.	PART NO.	DESCRIPTION	FSCM	QTY
40A	1A1J40	1207-0270	RECEPTACLE ASSY (J40)	17794	1
40B	1A1J41	1207-0270	RECEPTACLE ASSY (J41)	17794	1
40C	1A1J42	1207-0270	RECEPTACLE ASSY (J42)	17794	1
40D	1A1J43	1207-0270	RECEPTACLE ASSY (J43)	17794	1
41	1A1J44	1207-0151	RECEPTACLE, AC FUSED (J44)	17794	1
		PF0011/13/48		06V90	
		4300.1017		61935	
		723-15/48		0AC21	
42	1A1J46	1205-0045	POST, BINDING, INSULATED, BLACK D (J46)	17794	1
43	1A1J47	1205-0045	POST, BINDING, INSULATED, BLACK D (J47)	17794	1
44	1A1J49	1207-0042	BANANA JACK, RED (J49)	17794	1
		108-0902-001		74970	
45	1A1J50	1207-0043	BANANA JACK, BLACK (J50)	17794	1
		108-0903-001		74970	
46	1A1J52	1207-0270	RECEPTACLE ASSY (J52)	17794	1
47	1A1J53	1207-0043	BANANA JACK, BLACK (J53)	17794	1
		108-0903-001		74970	
48	1A1J56	1207-0200	BANANA JACK W/LUG, UNINSULATED (J56)	17794	1
		APN116197		40970	
49A	1A1J57	1207-0270	RECEPTACLE ASSY (J57)	17794	1
49B	1A1J58	1207-0270	RECEPTACLE ASSY (J58)	17794	1
49C	1A1J59	1207-0270	RECEPTACLE ASSY (J59)	17794	1
50	1A1L1	1194-0019	SOLENOID, 12V GW (S1)	17794	1
51	1A1MP1	1140-0034	RESERVOIR, PRESSURE	17794	1
52	1A1MP2	1315-0139	CHASSIS, PPS 400	17794	1
53A	1A1MP3	1259-0085	MOUNT, PANEL, FEMALE, QUICK CHANGE	17794	1
53B	1A1MP4	1259-0085	MOUNT, PANEL, FEMALE, QUICK CHANGE	17794	1
53C	1A1MP5	1259-0085	MOUNT, PANEL, FEMALE, QUICK CHANGE	17794	1
53D	1A1MP6	1259-0085	MOUNT, PANEL, FEMALE, QUICK CHANGE	17794	1
54A	1A1MP7	1259-0090	FITTING, PIPE, MALE, 1/8"-27 NPT, 1/8" HOSE	17794	1
		3030494		06034	
54B	1A1MP8	1259-0090	FITTING, PIPE, MALE, 1/8"-27 NPT, 1/8" HOSE	17794	1
		3030494		06034	

DWG. NO: R7008-0187

REV: A EC NO: 3759 DATE: 3/4/94

APP:

AMENDED P/L FORMAT: 8/23/94

TITLE: POWER SOURCE, PPS 400, 115V

REV: B EC NO: 4083 DATE: 08/11/95

INDEX	REFERENCE NO.	PART NO.	DESCRIPTION	FSCM	QTY
55A	1A1MP9	1321-0235 942A734ABF012 4586-48	BRACKET, CAPACITOR MOUNT, 1 3/8" DIA.	17794 6AX52 ZZZ	1
55B	1A1MP10	1321-0235 942A734ABF012 4586-48	BRACKET, CAPACITOR MOUNT, 1 3/8" DIA.	17794 6AX52 ZZZ	1
55C	1A1MP11	1321-0235 942A734ABF012 4586-48	BRACKET, CAPACITOR MOUNT, 1 3/8" DIA.	17794 6AX52 ZZZ	1
56A	1A1MP12	1215-0137	STANDOFF, 1/4" HEX, #6-32 X 5 3/8" LG.	17794	4
56B	1A1MP13	1215-0137	STANDOFF, 1/4" HEX, #6-32 X 5 3/8" LG	17794	4
57A	1A1MP14	1215-0097	BUSHING, .156 ID X .281 OD X .330 LG.	17794	4
57B	1A1MP15	1215-0097	BUSHING, .156 ID X .281 OD X .330 LG.	17794	2
57C	1A1MP16	1215-0097	BUSHING, .156 ID X .281 OD X .330 LG	17794	4
58A	1A1MP17	1349-0239 G-404-1	GROMMET, MOTOR MOUNT	17794 63994	4
58B	1A1MP18	1349-0239 G-404-1	GROMMET, MOTOR MOUNT	17794 63994	3
58C	1A1MP19	1349-0239 G-404-1	GROMMET, MOTOR MOUNT	17794 63994	4
59A	1A1MP20	1309-0020	VISIFILTER	17794	1
59B	1A1MP21	1309-0020	VISIFILTER	17794	1
60A	1A1MP22	1342-0020-06 C2801023	TUBING, SILICONE, .187 ID, BLACK, 3" LG.	17794 06034	1
60B	1A1MP23	1342-0020-06 C2801023	TUBING, SILICONE, .187 ID, BLACK, 3" LG.	17794 06034	1
61	1A1MP24	1342-0020-07 C2801023	TUBING, SILICONE, .187 ID, BLACK, 3.5" LG.	17794 06034	1
62	1A1MP25	1342-0020-09 C2801023	TUBING, SILICONE, .187 ID, BLACK, 14" LG.	17794 06034	1
63	1A1MP26	1342-0020-05 C2801023	TUBING, SILICONE, .187 ID, BLACK, 8" LG.	17794 06034	1
64	1A1MP27	1342-0020-08 C2801023	TUBING, SILICONE, .187 ID, BLACK, 12" LG.	17794 06034	1

DWG. NO: R7008-0187

REV: A EC NO: 3759 DATE: 3/4/94
REV: B EC NO: 4083 DATE: 08/11/95

APP:

AMENDED P/L FORMAT: 8/23/94

TITLE: POWER SOURCE, PPS 400, 115V

INDEX	REFERENCE NO.	PART NO.	DESCRIPTION	FSCM	QTY
65	1A1MP28	1342-0015-03 MS 70E00B	TUBING, SILICONE, .125 ID X .25 OD, BLACK, 8" LG.	17794 ZZZ	1
66	1A1MP29	1342-0015-04 MS 70E00B	TUBING, SILICONE, .125 ID X .25 OD, BLACK, 10.5" LG.	17794 ZZZ	1
67	1A1MP30	1342-0015-05 MS 70E00B	TUBING, SILICONE, .125 ID X .25 OD, BLACK, 9" LG.	17794 ZZZ	1
68A	1A1MP31	1211-0054 5324K51	CLAMP, HOSE, SELF TIGHTENING, .250 OD	17794 3A054	2
68B	1A1MP32	1211-0054 5324K51	CLAMP, HOSE, SELF TIGHTENING, .250 OD	17794 3A054	2
68C	1A1MP33	1211-0054 5324K51	CLAMP, HOSE, SELF TIGHTENING, .250 OD	17794 3A054	1
69A	1A1MP34	1274-0034 ABMM	MOUNT, ADHESIVE BACKED	17794 06383	1
69B	1A1MP35	1274-0034 ABMM	MOUNT, ADHESIVE BACKED	17794 06383	1
69C	1A1MP36	1274-0034 ABMM	MOUNT, ADHESIVE BACKED	17794 06383	2
70	1A1MP37	1351-0271	LABEL, GROUND SYMBOL	17794	1
71	1A1MP38	1360-0080	PANEL, REAR, PPS 400	17794	1
72	1A1MP39	1335-0152	PLATE, STIFFENER, PPS 400	17794	1
73	1A1MP40	2320-0049	CASE, EXTRUSION	17794	1
74	1A1MP41	1351-0534	LABEL, IDENT., PPS 400, 115V	17794	1
75	1A1MP42	1274-0021 SI-5023	BUMPON, LARGE	17794 IN879	4
76	1A1MP43	1222-0081	KNOB, PRESSURE	17794	1
77	1A1MP44	1360-0079	PANEL, FRONT, PPS 400	17794	1
78A	1A1MP45	1222-0089 IR03K106A4G002	KNOB, CONTROL	17794 86797	1
78B	1A1MP46	1222-0089 IR03K106A4G002	KNOB, CONTROL	17794 86797	1
78C	1A1MP47	1222-0089 IR03K106A4G002	KNOB, CONTROL	17794 86797	1

DWG. NO: R7008-0187

REV: A EC NO: 3759 DATE: 3/4/94 APP:

REV: B EC NO: 4083 DATE: 08/11/95

TITLE: POWER SOURCE, PPS 400, 115V

INDEX REFERENCE NO. PART NO. DESCRIPTION FSCM QTY

78D	1A1MP48	1222-0089 IR03K106A4G002	KNOB, CONTROL	17794 86797	1
78E	1A1MP49	1222-0089 IR03K106A4G002	KNOB, CONTROL	17794 86797	1
79A	1A1MP50	1349-0241 RTC-51	BUSHING, LED PANEL MTG	17794 ZZZ	1
79B	1A1MP51	1349-0241 RTC-51	BUSHING, LED PANEL MTG	17794 ZZZ	1
79C	1A1MP52	1349-0241 RTC-51	BUSHING, LED PANEL MTG	17794 ZZZ	1
79D	1A1MP53	1349-0241 RTC-51	BUSHING, LED PANEL MTG	17794 ZZZ	1
79E	1A1MP54	1349-0241 RTC-51	BUSHING, LED PANEL MTG	17794 ZZZ	1
80	1A1MP55	1316-0012	BEZEL	17794	1
81	1A1MP56	1215-0138 N-1401-140-0	SPACER, .140 ID, .375 OD, .188 THK	17794 0GCW4	4
82	1A1MP57	1346-0021 FIT 221-.332"	TUBING, SHRINK, 3/32", BLACK (18 PCS @ 1/2" LG. EA.)	17794 92194	9"
83	1A1MP58	1346-0010 FIT 221-1/8"	TUBING, SHRINK, 1/8", BLACK (6 PCS @ 1/2" LG. EACH)	17794 92194	3"
84A	1A1POT1	1179-0133 31CN401	POTENTIOMETER, 10 KOHM, 1/4W, 20% (POT1)	17794 1JN02	1
84B	1A1POT2	1179-0133 31CN401	POTENTIOMETER, 10 KOHM, 1/4W, 20% (POT2)	17794 1JN02	1
84C	1A1POT3	1179-0133 31CN401	POTENTIOMETER, 10 KOHM, 1/4W, 20% (POT3)	17794 1JN02	1
85	1A1POT4	1179-0204 T16VE6.35L20 1MB 10%	POTENTIOMETER, 1 MOHM, .1W, 10% (POT4)	17794 54869	1
86A	1A1R1	1179-0194 RSF1B330ohm5%T MO-1-330-5%	RESISTOR, 330 OHM, 1W, 5% (R1)	17794 56637 11502	1

DWG. NO: R7008-0187

REV: A EC NO: 3759 DATE: 3/4/94

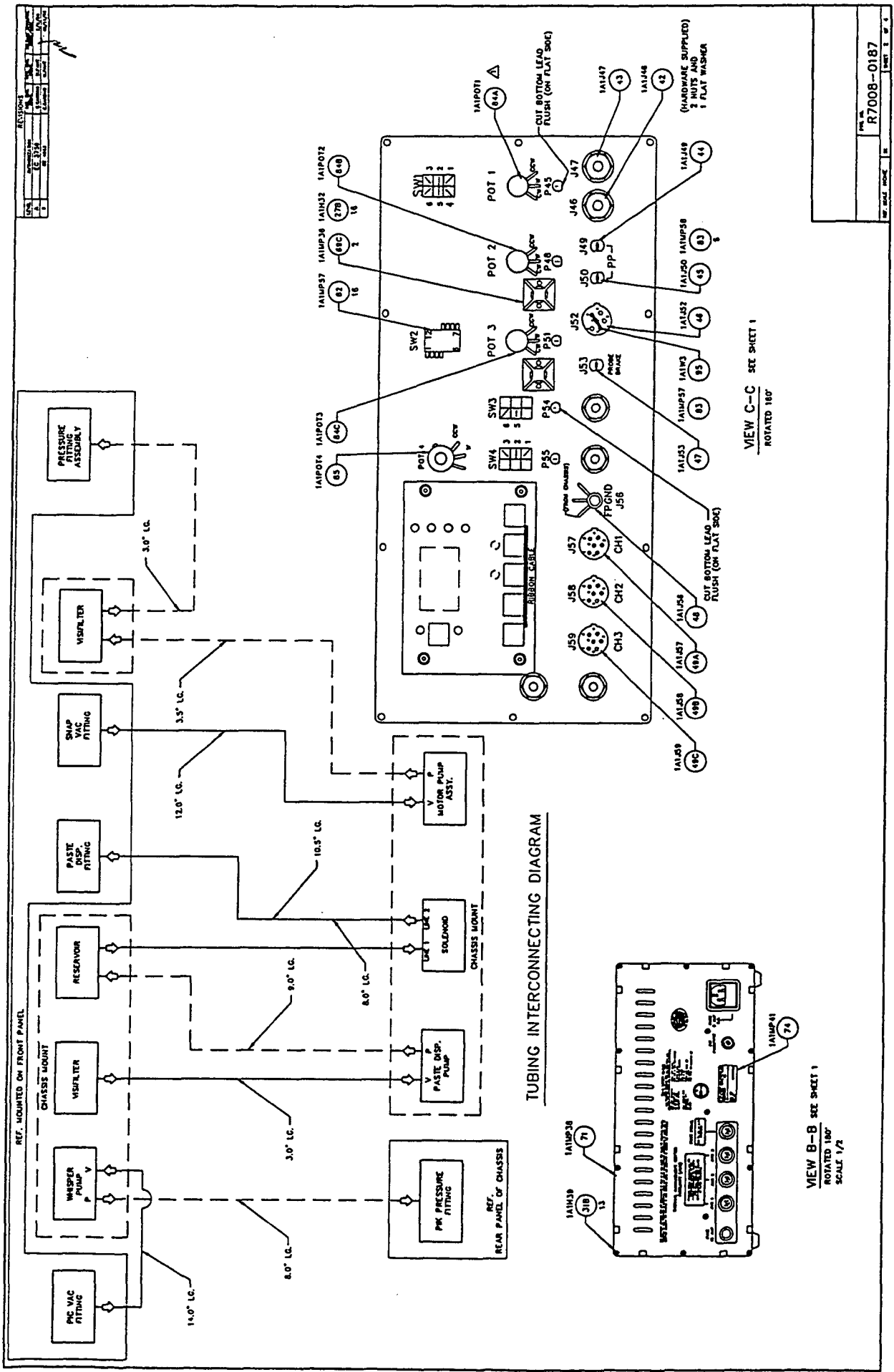
APP:

AMENDED P/L FORMAT: 8/23/94

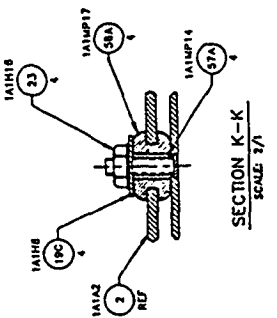
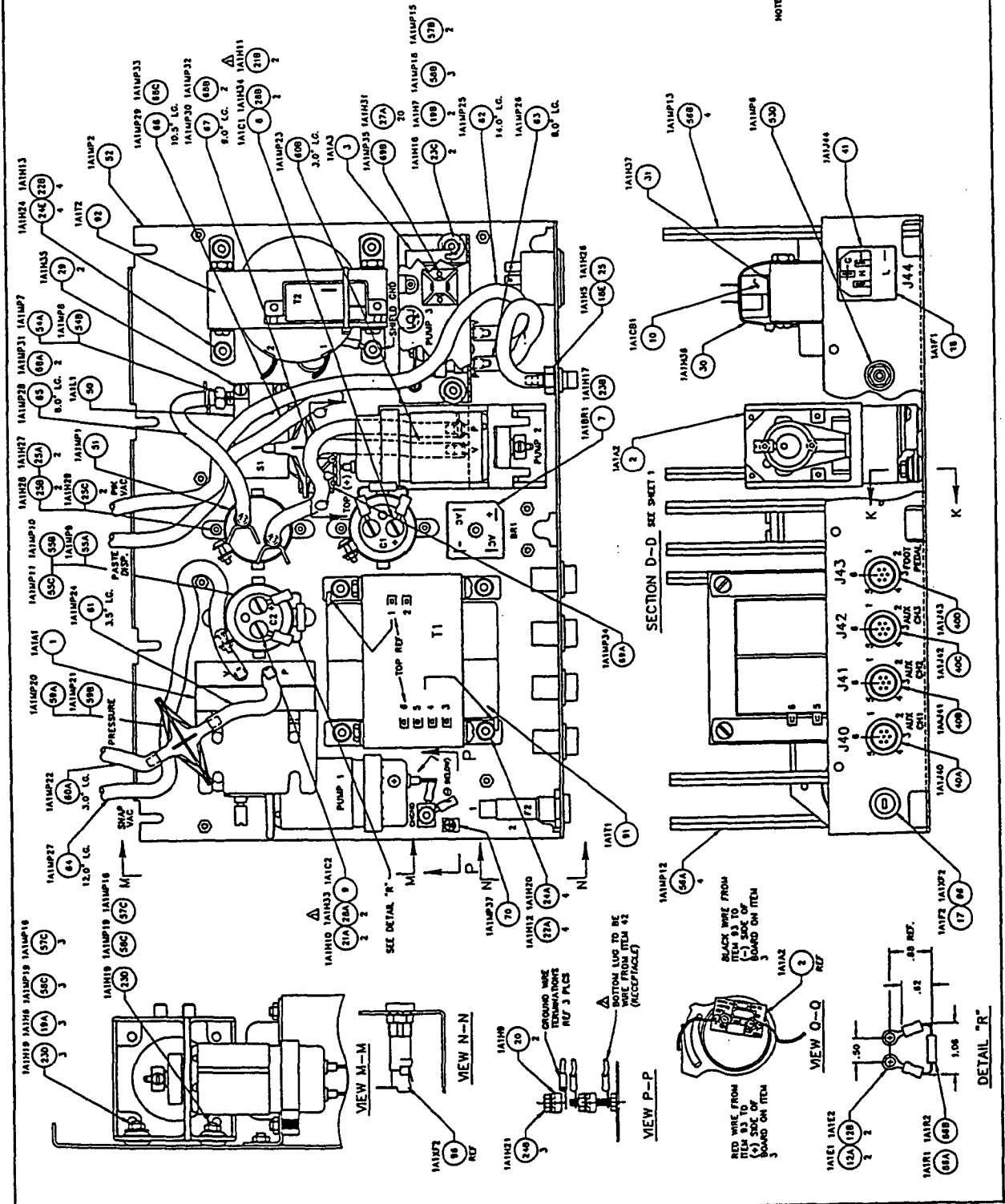
TITLE: POWER SOURCE, PPS 400, 115V

REV: B EC NO: 4083 DATE: 08/11/95

INDEX	REFERENCE NO.	PART NO.	DESCRIPTION	FSCM	QTY
86B	1A1R2	1179-0194 RSFIB330ohm5%T MO-1-330-5%	RESISTOR, 330 OHM, 1W, 5%(R2)	17794 56637 11502	1
87A	1A1R3	1179-0114 995-3A-4330	RESISTOR, 1 OHM, 3 1/4W, 5% (R3)	17794 44655	1
87B	1A1R4	VC3D SERIES 3 1/4W, 1ohm 1179-0114 995-3A-4330	RESISTOR, 1 OHM, 3 1/4W, 5%(R4)	12697 17794 44655	1
88A	1A1SW1	VC3D SERIES 3 1/4W, 1ohm 1157-0052	SWITCH, MINIATURE, W/HIGH BARRIER (SW1)	12697 17794	1
88B	1A1SW3	6-221-5-919-0-9-V 1157-0052	SWITCH, MINIATURE, W/HIGH BARRIER (SW3)	73559 17794	1
89	1A1SW2	6-221-5-919-0-9-V 1157-0070 73-9328	SWITCH, ROTARY, 4 POS., DOUBLE POLE, 30 DEG. (SW2)	17794 79692	1
90	1A1SW4	1157-0067 6-21-1-5-929-00-N	SWITCH, HIGH/LOW (SW4)	17794 73559	1
91	1A1T1	1192-0071	TRANSFORMER, 115V/21V 19A (T1)	17794	1
92	1A1T2	1192-0072	TRANSFORMER, 115V/2.3V 50A (T2)	17794	1
93	1A1W1	3008-0056	WIRE HARNESS, CHASSIS, PPS 400	17794	1
94	1A1W2	3008-0057	WIRING HARNESS, FT. PANEL, PPS 400	17794	1
95	1A1W3	3008-0063	HARNES, JUMPER	17794	1
96	1A1XF2	1161-0012	FUSEHOLDER, QC, (1/4" X 1 1/4" FUSE)	17794	1

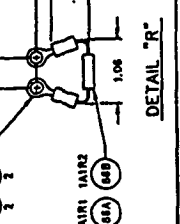
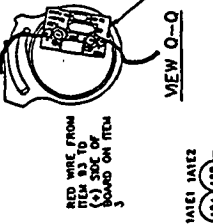
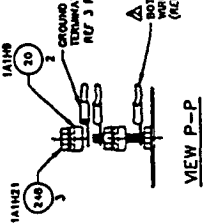
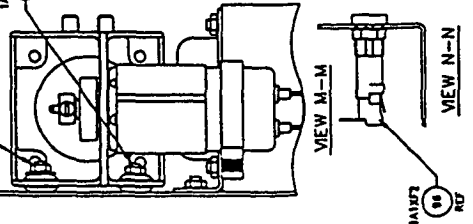
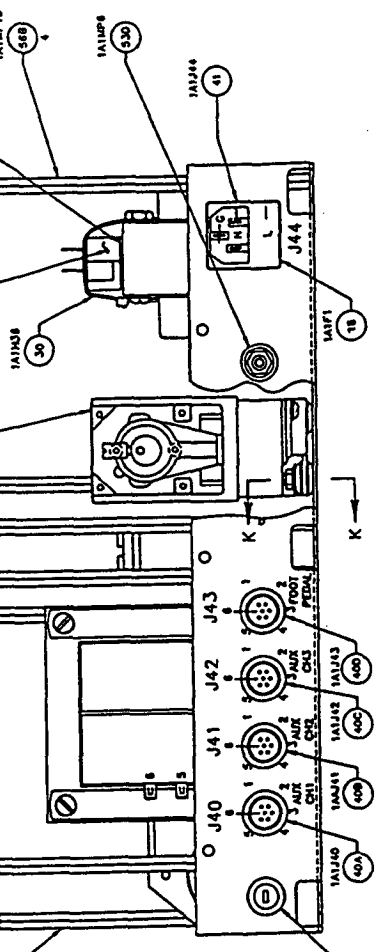


REV	DATE	BY	CHKD
1	12-13-58	W. J.
2



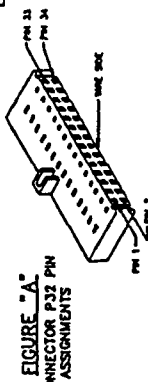
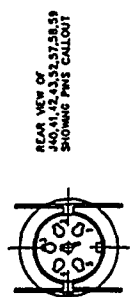
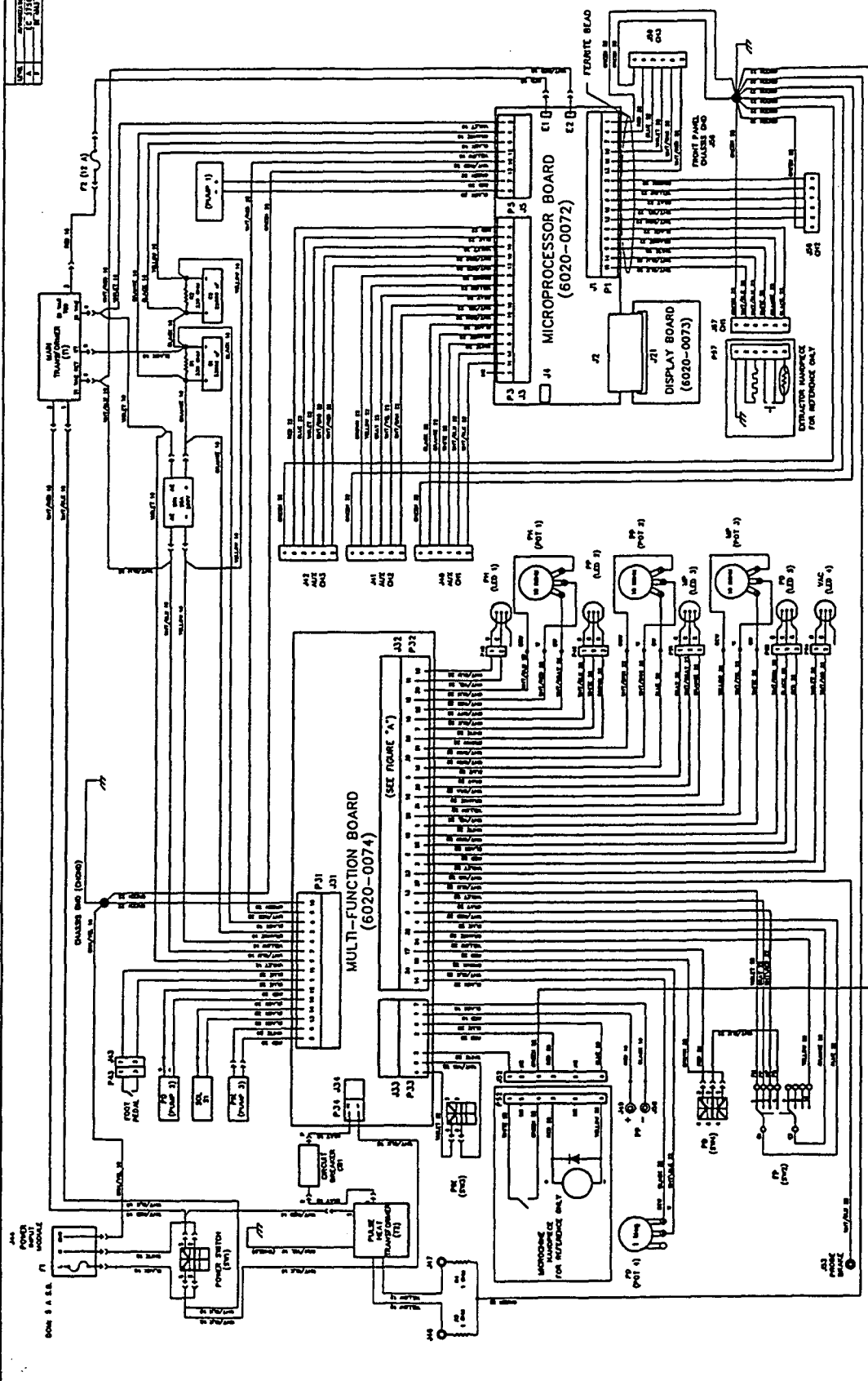
NOTE: Δ ITEMS 28A, B (C) & CT TERMINAL SCREWS TO BE TORQUED TO 20 INCH POUNDS.
 Δ CHD WIRE ITEM 41 (RECEPTACLE, AC) TO BE FIRST WIRE INSTALLED ON CHD STUD AND ONLY WIRE UNDER THE FIRST OF ITEM 29 (PLATE LOCKING).

SECTION D-D SEE SHEET 1



REV	DATE	BY	CHKD
1
2

REV	DATE	BY	CHKD	APP'D
1	11/18/77	J. J. ...	J. J. ...	J. J. ...
2	12/15/77	J. J. ...	J. J. ...	J. J. ...
3	1/10/78	J. J. ...	J. J. ...	J. J. ...
4	2/15/78	J. J. ...	J. J. ...	J. J. ...
5	3/15/78	J. J. ...	J. J. ...	J. J. ...
6	4/15/78	J. J. ...	J. J. ...	J. J. ...
7	5/15/78	J. J. ...	J. J. ...	J. J. ...
8	6/15/78	J. J. ...	J. J. ...	J. J. ...
9	7/15/78	J. J. ...	J. J. ...	J. J. ...
10	8/15/78	J. J. ...	J. J. ...	J. J. ...



REV. 10
R7008-0187



PROPRIETARY PARTS LIST

The data in this proposal shall not be used or disclosed, except for evaluation purposes, provided that if a contract is awarded to this submitter as a result of or in connection with the submission of this proposal, the Government shall have the right to use or disclose this technical data to the extent provided in the contract. This restriction does not limit the Government's right to use or disclose any technical data which is not proprietary to the submitter or is obtained from another source without restriction.

DWG. NO: R1336-0028

REV: A EC NO: 3759 DATE: 3/4/94
AMENDED P/L FORMAT: 8/23/94

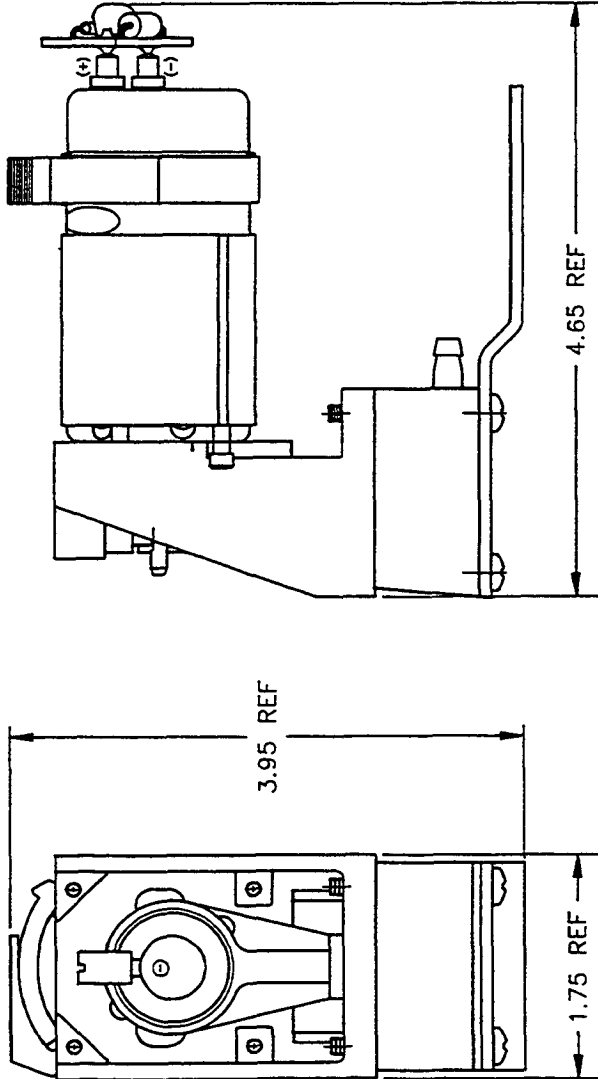
APP: *AA*

TITLE: MOTOR PUMP ASSY

INDEX	REFERENCE NO.	PART NO.	DESCRIPTION	FSCM	QTY
REF	1A1A1	1336-0028	MOTOR PUMP ASSY (PUMP 1)	17794	REF

DWG NO. **B R1336-0028** **A**

REVISIONS			
LEVEL	AUTHORIZATION	DESIGNING INITIAL	RELEASE APPROVAL INITIAL/DATE
A	EC 3759	C. CARDINO	M. PANT 3/1/8



The data in this proposal shall not be used or disclosed, except for evaluation purposes, provided that if a contract is awarded to this submitter as a result of or in connection with the submission of this proposal, the Government shall have the right to use or disclose this technical data to the extent provided in the contract. This restriction does not limit the Government's right to use or disclose any technical data which is not proprietary to the submitter or is obtained from another source without restriction.

PROPRIETARY SOURCE CONTROL DRAWING

<p>THIS DRAWING CONTAINS INFORMATION PROPRIETARY TO PACE INC.. ANY REPRODUCTION, DISCLOSURE OR USE OF THIS DRAWING IS EXPRESSLY PROHIBITED EXCEPT AS PACE INC. MAY OTHERWISE AGREE IN WRITING.</p>		<p>PAGE <small>PACE Incorporated 8863 River Road Lanham, MD 20723, U.S.A. TEL (301) 480-9600 FAX (301) 904-2100</small></p> <p>Systems for Development, Production, and Repair of Electronic Assemblies.</p>							
<p>UNLESS OTHERWISE SPECIFIED DIMENSIONS ARE IN INCHES. DO NOT SCALE.</p>		<p>TOLERANCES</p> <table border="1"> <tr> <th>2 PLACE</th> <th>3 PLACE</th> <th>ANGLES</th> </tr> <tr> <td>± .01</td> <td>± .005</td> <td>± .5°</td> </tr> </table>		2 PLACE	3 PLACE	ANGLES	± .01	± .005	± .5°
2 PLACE	3 PLACE	ANGLES							
± .01	± .005	± .5°							
<p>MATERIAL</p>		<p>FINISH</p>							
<p>F.S.C.M. NO. 17794</p>		<p>DWG. NO. R1336-0028</p>							
<p>REF. SCALE 1/1</p>		<p>SK - SHEET 1 OF 1</p>							

1A1A1 1336-0028



PROPRIETARY PARTS LIST

The data in this proposal shall not be used or disclosed, except for evaluation purposes, provided that if a contract is awarded to this submitter as a result of, or in connection with the submission of this proposal, the Government shall have the right to use or disclose this technical data to the extent provided in the contract. This restriction does not limit the Government's right to use or disclose any technical data which is not proprietary to the submitter or is obtained from another source without restriction.

DWG. NO: R1336-0027

REV: A EC NO: 3759 DATE: 3/4/94
AMENDED P/L FORMAT: 8/23/94

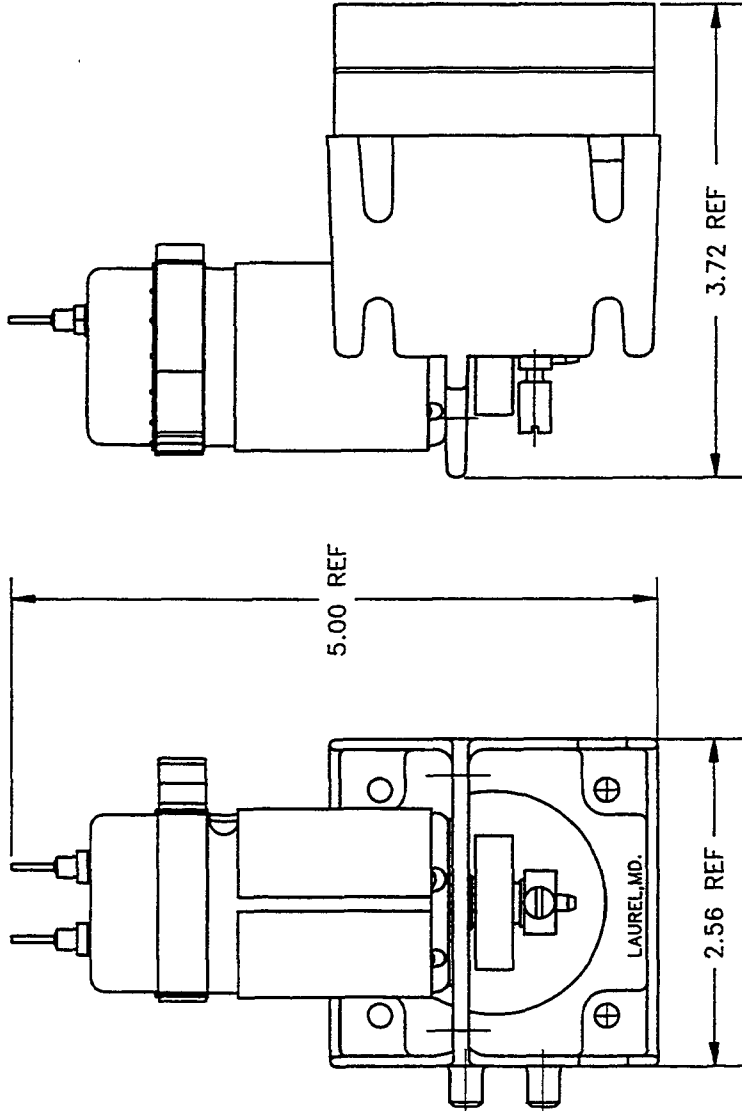
APP: *SM*

TITLE: MICROPUMP ASSY, PPS 400

INDEX	REFERENCE NO.	PART NO.	DESCRIPTION	FSCM	QTY
REF	1A1A2	1336-0027	MICROPUMP ASSY, PPS 400 (PUMP 2)	17794	REF

DWG. NO. **B R 1336-0027 A**

REVISIONS			
LEVEL	AUTHORIZATION	DES. ENG. INITIAL	RELEASE APPROVAL INITIAL/DATE
A	EC 3759	C. CARDINO	M. PANT 3/14/84



The data in this proposal shall not be used or disclosed, except for evaluation purposes, provided that if a contract is awarded to this submitter as a result of or in connection with the submission of this proposal, the Government shall have the right to use or disclose this technical data to the extent provided in the contract. This statement does not constitute an agreement to use or disclose any technical data which is not proprietary to the submitter or is obtained from another source without restriction.

PROPRIETARY SOURCE CONTROL DRAWING

<p>THIS DRAWING CONTAINS INFORMATION PROPRIETARY TO PACE INC.. ANY REPRODUCTION, DISCLOSURE OR USE OF THIS DRAWING IS EXPRESSLY PROHIBITED EXCEPT AS PACE INC. MAY OTHERWISE AGREE IN WRITING.</p>		<p>PAGE <small>PACE Incorporated</small> 16000 W. 10th Street Lenexa, MO 64584, U.S.A. TEL: (913) 400-9400 FAX: (913) 400-9180 Systems for Development, Production, and Repair of Electronic Assemblies</p>							
<p>UNLESS OTHERWISE SPECIFIED DIMENSIONS ARE IN INCHES. DO NOT SCALE.</p>		<p>MICROPUMP ASSEMBLY PPS 400</p>							
<p>TOLERANCES</p> <table border="1"> <tr> <th>2 PLACE</th> <th>3 PLACE</th> <th>ANGLES</th> </tr> <tr> <td>$\pm .01$</td> <td>$\pm .005$</td> <td>$\pm .5^\circ$</td> </tr> </table>		2 PLACE	3 PLACE	ANGLES	$\pm .01$	$\pm .005$	$\pm .5^\circ$	<p>F.S.C.M. NO. 17794 DWG. NO. R1336-0027</p>	
2 PLACE	3 PLACE	ANGLES							
$\pm .01$	$\pm .005$	$\pm .5^\circ$							
<p>MATERIAL -</p>		<p>REF. SCALE 1/1 SK - SHEET 1 OF 1</p>							



PROPRIETARY PARTS LIST

The data in this proposal shall not be used or disclosed, except for evaluation purposes, provided that if a contract is awarded to the submitter as a result of or in connection with the submission of this proposal, the Government shall have the right to use or disclose this technical data to the extent provided in the contract. This restriction does not limit the Government's right to use or disclose any technical data which is not proprietary to the submitter or is obtained from another source without restriction.

DWG. NO: R1338-0072

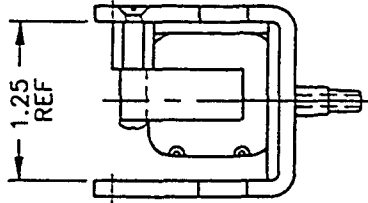
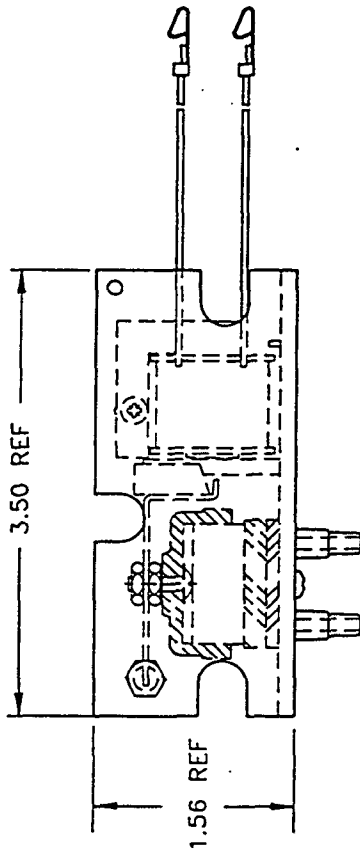
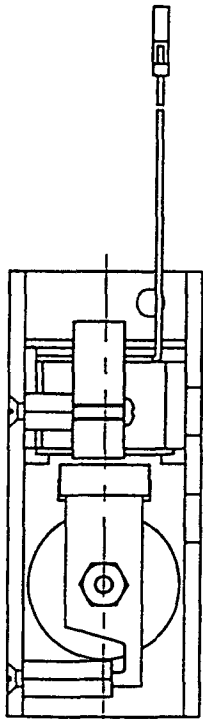
REV: A EC NO: 3759 DATE: 3/4/94 APP: *h*
AMENDED P/L FORMAT: 8/23/94

TITLE: PUMP ASSY, LOW PRESSURE, 21V

INDEX	REFERENCE NO.	PART NO.	DESCRIPTION	FSCM	QTY
REF	1A1A3	1338-0072	PUMP ASSY, LOW PRESSURE, 21V (PUMP 3)	17794	REF

DWG NO. B

REVISIONS		DATE	BY	APP. NO.	RELEASE APPROVAL
LEVEL	A				
AUTHORIZATION					
EC 3759					
					5/1/84



The data in this proposal shall not be used or disclosed, except for evaluation purposes, provided that it is not used in connection with the submission of a proposal for the same or similar work. This restriction does not limit the Government's right to use, disclose, or disseminate data which is not proprietary to the submitter or is obtained from another source without restriction.

PROPRIETARY SOURCE CONTROL DRAWING

THIS DRAWING CONTAINS INFORMATION PROPRIETARY TO PACE INC.. ANY REPRODUCTION, DISCLOSURE OR USE OF THIS DRAWING IS EXPRESSLY PROHIBITED EXCEPT AS PACE INC. MAY OTHERWISE AGREE IN WRITING.	PAGE <small>INC.</small> <small>INCORPORATED</small> <small>1000 BROADWAY</small> <small>NEW YORK, N.Y. 10018</small> <small>TEL. (212) 691-0000</small>		System for Development, Production, and Repair of Electronic Assemblies	
	UNLESS OTHERWISE SPECIFIED DIMENSIONS ARE IN INCHES. DO NOT SCALE.	TOLERANCES 2 PLACE ± .01 3 PLACE ± .005 ANGLES ± 5°	PUMP ASSEMBLY LOW PRESSURE, 21V	
MATERIAL	FINISH		F.S.C.M. NO.	DWG. NO.
-	-		17794	R1338-0072
REF. SCALE 1/1		SK	SHEET 1 OF 1	



PROPRIETARY PARTS LIST

The data in this proposal shall not be used or disclosed, except for evaluation purposes, provided that if a contract is awarded to this submitter as a result of or in connection with the submission of this proposal, the Government shall have the right to use or disclose this technical data to the extent provided in the contract. This restriction does not limit the Government's right to use or disclose any technical data which is not proprietary to the submitter or is obtained from another source without restriction.

DWG. NO: R6020-0074

REV: C ECNO: 4398

DATE: 09/08/95

APP: *md*

TITLE: PCB, MULTIFUNCTION, PPS 400

INDEX	REFERENCE NO.	PART NO.	DESCRIPTION	FSCM	QTY
1	1A1A4	6020-0074	PCB, MULTIFUNCTION, PPS 400	17794	REF
	1A1A4C1,C3,C6,C8,C21	1181-0083	CAPACITOR,0.01uF,50V,CER(C1,C3,C6,C8,C21)	17794	5
		923CZ5U103M050B		56289	
		P103M26Z5UFVPWA		59821	
2	1A1A4C2,C24,C53	1181-0102	CAPACITOR,100pF,200V,CER(C2,C24,C53)	17794	3
		C052C101K2G5CA		31433	
3	1A1A4C4	1181-0127	CAPACITOR,0.068uF,63V,FILM,5%(C4)	17794	1
		MKT1817368014R		4U402	
		NMBM683J100TR		0EHX1	
4	1A1A4C5,C37,C38	1181-0113	CAPACITOR,1uF,100V,FILM(C5,C37,C38)	17794	3
		712A1XC104PJ101SG		59821	
		MKS 2.01 uf 100V 5%		68919	
5	1A1A4C7,C10-C12,C14-C18,C20, C25,C28,C30-C36,C39,C42,C45, C46,C49	1181-0060	CAPACITOR,0.1uF,50V,CER(C7,C10-C12,C14-C18,C20, C25,C28,C30-C36,C39,C42,C45,C46,C49)	17794	24
		923CZ5U103M050B		56289	
		P103M26Z5UFVPWA		59821	
6	1A1A4C9	1181-0104	CAPACITOR,1.0uF,50V,CER(C9)	17794	1
		CK06BX105K		31433	
7	1A1A4C13	1181-0040	CAPACITOR,4.7uF,35v,TANT(C13)	17794	1
		199D475X9035CA1		56289	
8	1A1A4C19	1181-0128	CAPACITOR,0.22uF,50V,CER(C19)	17794	1
		A224M18Z5UFVVWT		59821	
		SL105E224MAA		51406	
9	1A1A4C22	1181-0122	CAPACITOR,0.022uF,50V,CER(C22)	17794	1
		A223K17X7RFVVWE		59821	
		SL105C223KAA		51406	

DWG. NO: R6020-0074

REV: C EC NO: 4398 DATE: 09/08/95

APP: *md*

TITLE: PCB, MULTIFUNCTION, PPS 400

INDEX	REFERENCE NO.	PART NO.	DESCRIPTION	FSCM	QTY
10	1A1A4C23	1181-0103 T350A105K035AS	CAPACITOR, 1uF, 35v, TANT(C23)	17794 31433	1
11	1A1A4C26, C41, C43, C44	1181-0093 TAP106M035S T350G106M035AS	CAPACITOR, 10uF, 35V, TANT.(C26, C41, C43, C44)	17794 04222 31433	4
12	1A1A4C27, C40	1181-0114 C317C102M1RSCA K102M15X7RFTTWA	CAPACITOR, .001uF, 50V, CER(C27, C40)	17794 31433 59821	2
13	1A1A4C29, C52	1181-0118 MKT1817310015R NMBM103K100TB	CAPACITOR, 0.01uF, 100V, FILM(C29, C52)	17794 4U402 0EHX1	2
14	1A1A4C47	1181-0121 I06TTA050M NAE10M50V6X13TR	CAPACITOR, 10uF, 50V, AL EL (C47)	17794 74840 0EHX1	1
15	1A1A4C48	1181-0124 SA101C561KAA SL101C561KAA	CAPACITOR, 560pF, 100V, CER(C48)	17794 04222 51406	1
16	1A1A4C50	1181-0120 7191GD1103PM251SB MKS4-R-.01/250/20%	CAPACITOR, 0.01uF, 250VAC, FILM(C50)	17794 59821 68919	1
17	1A1A4C51	1181-0119 7191GG104PM251SB MKS4-R-.1/250/20%	CAPACITOR, 0.1uF, 250VAC, FILM(C51)	17794 59821 68919	1
18-22			ITEM NUMBERS NOT USED		
23	1A1A4CR1-CR10, CR12-CR16, CR19-CR22	1183-0020 IN4148 IN914	DIODE, 1N4148/1N914(CR1-CR10, CR12-CR16, CR19-CR22)	17794 2S894 2S894	19
24	1A1A4CR11	1183-0047 IN4746A	DIODE, ZENER, 18V, 1W, 5%, 1N4746A(CR11)	17794 82393	1
25	1A1A4CR17, CR18, CR25, CR27	1183-0007 IN4004	DIODE, 1N4004(CR17, CR18, CR25, CR27)	17794 82393	4

DWG. NO: R6020-0074 REV: C EC NO: 4398 DATE: 09/08/95 APP: *W*

TITLE: PCB, MULTIFUNCTION, PPS 400

INDEX	REFERENCE NO.	PART NO.	DESCRIPTION	FSCM	QTY
26	1A1A4CR23,CR24	1183-0041 MR752	DIODE,MR752(CR23,CR24)	17794 82393	2
27	1A1A4CR26	G1752 1183-0035 ID5753 SE5051D HLMF-4601	DIODE,LED,RED,DIFFUSED,T-1 3/4"(CR26)	14936 17794 53763 ZZZ 28480	1
28-32	1A1A4H1-H6	1420-0017 AD-3AH	ITEM NUMBERS NOT USED	17794 07707	6
33	1A1A4J31	1207-0244	RIVET,POP,1/8"D X 3/8"L(XQ20-XQ25)	17794	1
34	1A1A4J31	09-65-1151 (2391 SERIES) 26-60-1150 (41761 SERIES)	HEADER,0.156"CTRS.,15POS.(J31)	27264 27264	1
35	1A1A4J32	1207-0245	HEADER,0.100"CTRS.,34 POS.(J32)	17794	1
36	1A1A4J33	TST-117-01-L-D TST-117-01-G-D	HEADER,0.156"CTRS.,7POS.(J33)	55322 55322	1
37	1A1A4J34	1207-0197 26-60-1070 (41761 SERIES)	HEADER,0.156"CTRS.,2POS.(J34)	17794 27264	1
38	1A1A4L1	1207-0196 26-60-1020(41761 SERIES)	HEADER,0.156"CTRS.,2POS.(J34)	17794 27264	1
39-42	1A1A4L1	1192-0094 DC1-121	CHOKE, 120 uH,10%(L1)	17794 99848	1
43	1A1A4MOV1	1179-0196 V275LA4	ITEM NUMBERS NOT USED	17794 34371	1
44	1A1A4MP1-MP4	2322-593-02716 1209-0007 6073B 6073PB	VARIATOR,METAL OXIDE, 275V,7mm(MOV1)	59821 17794 13103 13103	4
45-49	1A1A4PTC1	1179-0200 RXE017	HEAT SINK(XQ20,XQ22,XQ24,XQ25)	17794 06090	1
50	1A1A4PTC1	1179-0200 RXE017	ITEM NUMBERS NOT USED	17794 06090	1
51-54	1A1A4PTC1	1179-0200 RXE017	THERMISTOR,PTC,4.85 OHM,170mA(PTC1)	17794 06090	1
51-54	1A1A4PTC1	1179-0200 RXE017	ITEM NUMBERS NOT USED	17794 06090	1

DWG. NO: R6020-0074

REV: C EC NO: 4398 DATE: 09/08/95

APP: *MA*

TITLE: PCB, MULTIFUNCTION, PPS 400

INDEX	REFERENCE NO.	PART NO.	DESCRIPTION	FSCM	QTY
55	1A1A4Q1,Q2,Q4,Q5,Q13,Q14,Q16	1187-0067	TRANSISTOR,NPN,2N3904,TO-92(Q1,Q2,Q4,Q5,Q13,Q14,Q16)	17794	7
		2N3904		8Z393	
56	1A1A4Q3,Q6-Q12,Q15,Q17-Q19	1187-0049	TRANSISTOR,PNP,2N3906,TO-92(Q3,Q6-Q12,Q15,Q17-Q19)	17794	12
		2N3906		OUSTI	
		2N3906		8Z393	
		2N3906		27014	
57	1A1A4Q20,Q22,Q24	1187-0092	TRANSISTOR,PNP,TIP107,TO220AB(Q20,Q22,Q24)	17794	3
		TIP107		8Z393	
		TIP107		01295	
58	1A1A4Q21	1187-0114	TRANSISTOR,NPN,TIP100,TO-220AB(Q21)	17794	1
		TIP100		8Z393	
59	1A1A4Q23	1187-0115	TRANSISTOR,NPN,TIP31A,TO-220AB(Q23)	17794	1
		TIP31A		8Z393	
60	1A1A4Q25	1189-0040	TRIAC,4A,600V,TO-220(Q25)	17794	1
		T041 OMJ		ZZZ	
		Q6004L4		58079	
61-65			ITEM NUMBERS NOT USED		
66	1A1A4R1	1179-0177-20	RESISTOR,37.4 KOHM,MF.,.125W,1%(R1)	17794	1
		CMF-55-37.4kohm,F,T-2		91637	
		RG37.4kohm,T2-55,1%		11502	
		CRB25-37.4kohm-F-Y		OUSTI	
67	1A1A4R2,R38	1179-0199	TRIMPOT,5 KOHM(R2,R38)	17794	2
		PT6KH(2.5)5KA		54869	
		PT6KH(2.5)5KA		ZZZ	
		RVF6W01A-502		51406	
68	1A1A4R3,R90	1179-0154	RESISTOR,10 MOHM,CF.,.25W,5%(R3,R90)	17794	2
		GENERIC		ZZZ	
69	1A1A4R4	1179-0177-70	RESISTOR,127 KOHM,MF.,.125W,1%(R4)	17794	1
		CMF-55-127kohm,F,T-2		91637	
		RG127kohm,T2-55,1%		11502	
		CRB25-127kohm-F-Y		OUSTI	
70	1A1A4R5	1179-0134-72	RESISTOR,1.8 MOHM,CF.,.25W,5%(R5)	17794	1
		GENERIC		ZZZ	

TITLE: PCB, MULTIFUNCTION, PPS 400

INDEX	REFERENCE NO.	PART NO.	DESCRIPTION	FSCM	QTY
71	1A1A4R6,R66	1179-0134-09 GENERIC	RESISTOR,47 KOHMS,CF.,25W,5%(R6,R66)	17794 ZZZ	2
72	1A1A4R7,R15,R20,R30,R34	1179-0155 GENERIC	RESISTOR,1 MOHM,CF.,25W,5%(R7,R15,R20,R30,R34)	17794 ZZZ	5
73	1A1A4R8,R56,R57,R60,R68,R80-R82, R86,R88,R91-R93,R95- R97,R104, R114-R116,R118,R119,R128)	1179-0134-15	RESISTOR,10 KOHMS,CF.,25W,5%(R8,R56,R57,R60, R68,R80-R82,R86,R88,R91-R93,R95-R97,R104, R114-R116,R118,R119,R128)	17794	23
74	1A1A4R9,R10,R29,R53	GENERIC	RESISTOR,20 KOHMS,CF.,25W,5%(R9,R10,R29,R53)	ZZZ	4
75	1A1A4R11,R44,R45,R47-R49,R76	1179-0134-47 GENERIC	RESISTOR,470KOHM,CF.,25W,5%(R11,R44,R45,R47-49,R76)	17794 ZZZ	7
76	1A1A4R12,R33,R100,R103	1179-0134-64 GENERIC	RESISTOR,10 OHMS,CF.,25W,5%(R12,R33,R100,R103)	17794 ZZZ	4
77	1A1A4R13,R14,R21,R24,R28,R31,R39, R50,R55, R111,R112	1179-0134-55 GENERIC	RESISTOR,100 KOHMS,CF.,25W,5%(R13,R14,R21,R24, R28,R31,R39,R50,R55,R111,R112)	17794 ZZZ	11
78	1A1A4R16	1179-0134-34 GENERIC	RESISTOR,5.1KOHM,CF.,25W,5%(R16)	ZZZ	1
79	1A1A4R17	1179-0177-76 CMF-55-23.7kohm,F-T-2 RG23.7kohm,T2-55,1% CRB25-23.7kohm-F-Y	RESISTOR,23.7 KOHM,MF.,125 W,1%(R17)	17794 91637 11502 OUST1	1
80	1A1A4R18	1179-0177-09 CMF-55-1kohm,F-T-2 RG1kohm,T2-55,1% CRB25-1kohm-F-Y	RESISTOR,1 KOHM,MF.,125W,1%(R18)	17794 91637 11502 OUST1	1
81	1A1A4R19	1179-0177-68 CMF-55-13.3kohm,F-T-2 RG13.3kohm,T2-55,1% CRB25-13.3kohm-F-Y	RESISTOR,13.3 KOHM,MF.,125W,1%(R19)	17794 91637 11502 OUST1	1

DWG. NO: R6020-0074

TITLE: PCB, MULTIFUNCTION, PPS 400

REV: C ECNO: 4398 DATE: 09/08/95

APP: *AP*

INDEX	REFERENCE NO.	PART NO.	DESCRIPTION	FSCM	QTY
82	1A1A4R22	1179-0177-83 CMF-55-4.75kohm,F,T-2 RG4.75kohm,T2-55,1% CRB25-4.75kohm-F-Y	RESISTOR,4.75 KOHM,MF.,125W,1%(R22)	17794 91637 11502 OUSTI	1
83	1A1A4R25,R71	1179-0134-69 GENERIC	RESISTOR,270 KOHM,CF.,25W,5%(R25,R71)	17794 ZZZ	2
84	1A1A4R26	1179-0177-77 CMF-55-499kohm,F,T-2 RG499kohm,T2-55,1% CRB25-499kohm-F-Y	RESISTOR,499 KOHM,MF.,125 W,1%(R26)	17794 91637 11502 OUSTI	1
85	1A1A4R27	1179-0134-18 GENERIC	RESISTOR,2.2 MOHM,CF.,25W,5%(R27)	17794 ZZZ	1
86	1A1A4R23,R32,R51,R52,R65,R83, R101	1179-0134-03 GENERIC	RESISTOR,1 KOHM,CF.,25W,5%(R23,R32,R51,R52,R65,R83 R101)	17794 ZZZ	7
87	1A1A4R35	1179-0177-80 CMF-55-348ohm,F,T-2 RG348ohm,T2-55,1% CRB25-348ohm-F-Y	RESISTOR,348 OHM,MF.,125W,1%(R35)	ZZZ 17794 91637 11502 OUSTI	1
88	1A1A4R36	1179-0177-81 CMF-55-374ohm,F,T-2 RG374ohm,T2-55,1% CRB25-374ohm-F-Y	RESISTOR,374 OHM,MF.,125W,1%(R36)	17794 91637 11502 OUSTI	1
89	1A1A4R37	1179-0177-82 CMF-55-698ohm,F,T-2 RG698ohm,T2-55,1% CRB25-698ohm-F-Y	RESISTOR,698 OHM,MF.,125W,1%(R37)	17794 91637 11502 OUSTI	1
90	1A1A4R40,R41	1179-0134-35 GENERIC	RESISTOR,200 KOHMS,CF.,25W,5%(R40,R41)	17794 ZZZ	2
91	1A1A4R42,R46	1179-0134-78 GENERIC	RESISTOR,120KOHM,CF.,25W,5%(R42,R46)	17794 ZZZ	2
92	1A1A4R43	1179-0134-77 GENERIC	RESISTOR,82 KOHM,CF.,25W,5%(R43)	17794 ZZZ	1

DWG. NO: R6020-0074

REV: C EC NO: 4398 DATE: 09/08/95

APP: *MA*

TITLE: PCB, MULTIFUNCTION, PPS 400

INDEX	REFERENCE NO.	PART NO.	DESCRIPTION	FSCM	QTY
93	1A1A4R54,R77	1179-0134-42 GENERIC	RESISTOR,30 KOHMS,CF.,25W,5%(R54,R77)	17794 ZZZ	2
94	1A1A4R58	1179-0177-71 CMF-55-4.99kohm,F,T-2 RG4.99kohm,T2-55,1% CRB25-4.99kohm-F-Y	RESISTOR,4.99 KOHM,MF.,125W,1%(R58)	17794 91637 11502 OUST1	1
95	1A1A4R59	1179-0177-74 CMF-55-226kohm,F,T-2 RG226kohm,T2-55,1% CRB25-226kohm-F-Y	RESISTOR,226 KOHM,MF.,125W,1%(R59)	17794 91637 11502 OUST1	1
96	1A1A4R61	1179-0177-72 CMF-55-2.10kohm,F,T-2 RG2.10kohm,T2-55,1% CRB25-2.10kohm-F-Y	RESISTOR,2.10 KOHM,MF.,125W,1%(R61)	17794 91637 11502 OUST1	1
97	1A1A4R62	1179-0177-75 CMF-55-562ohm,F,T-2 RG562ohm,T2-55,1% CRB25-562ohm-F-Y	RESISTOR,562 OHM,MF.,125W,1%(R62)	17794 91637 11502 OUST1	1
98	1A1A4R63	1179-0177-38 CMF-55-18.2kohm,F,T-2 RG18.2kohm,T2-55,1% CRB25-18.2kohm-F-Y	RESISTOR,18.2 KOHM,MF.,125W,1%(R63)	17794 91637 11502 OUST1	1
99	1A1A4R64	1179-0177-87 CMF-55-412kohm,F,T-2 RG412kohm,T2-55,1% CRB25-412kohm-F-Y	RESISTOR,412 KOHM,MF.,125W,1%(R64)	17794 91637 11502 OUST1	1
100	1A1A4R67	1179-0134-01 GENERIC	RESISTOR,100 OHM,CF.,25W,5%(R67)	17794 ZZZ	1
101	1A1A4R69,R72,R75	1179-0177-79 CMF-55-150kohm,F,T-2 RG150kohm,T2-55,1% CRB25-150kohm-F-Y	RESISTOR,150 KOHM,MF.,125W,1%(R69,R72,R75)	17794 91637 11502 OUST1	3
102	1A1A4R70,R123	1179-0134-04 GENERIC	RESISTOR,1.5 KOHM,CF.,25W,5%(R70,R123)	17794 ZZZ	2

DWG. NO: R6020-0074

REV: C EC NO: 4398 DATE: 09/08/95

APP: *MA*

TITLE: PCB, MULTIFUNCTION, PPS 400

INDEX	REFERENCE NO.	PART NO.	DESCRIPTION	FSCM	QTY
103	1A1A4R73	1179-0135-06 GENERIC	RESISTOR,330 OHM,CF.,.5W,5%(R73)	17794 ZZZ	1
104	1A1A4R74	1179-0177-73 CMF-55-147kohm,F,T-2 RG147kohm,T2-55,1% CRB25-147kohm-F-Y	RESISTOR,147 KOHM,MF.,.125W,1%(R74)	17794 91637 11502 OUST1	1
105	1A1A4R78,R79,R99	1179-0134-73 GENERIC	RESISTOR,910 OHM,CF.,.25W,5%(R78,R79,R99)	17794 ZZZ	3
106	1A1A4R84,R89,R98	1179-0134-65 GENERIC	RESISTOR,1.3 KOHM,CF.,.25W,5%(R84,R89,R98)	17794 ZZZ	3
107	1A1A4R85	1179-0177-60 CMF-55-1Mohm,F,T-2 RG1Mohm,T2-55,1% CRB25-1Mohm-F-Y	RESISTOR,1 MOHM,MF.,.125W,1%(R85)	17794 91637 11502 OUST1	1
108	1A1A4R87,R106,R108	1179-0134-31 GENERIC	RESISTOR,51 KOHM,CF.,.25W,5%(R87,R106,R108)	17794 ZZZ	3
109	1A1A4R94	1179-0134-79 GENERIC	RESISTOR,5.1 MOHM,CF.,.25W,5%(R94)	17794 ZZZ	1
110	1A1A4R102	1179-0134-12 GENERIC	RESISTOR,9.1 KOHM,CF.,.25W,5%(R102)	17794 ZZZ	1
111	1A1A4R105	1179-0135-07 GENERIC	RESISTOR,560 OHM,CF.,.5W,5%(R105)	17794 ZZZ	1
112	1A1A4R107	1179-0134-11 GENERIC	RESISTOR,12 KOHM,CF.,.25W,5%(R107)	17794 ZZZ	1
113	1A1A4R109	1179-0136-04 CF100270ohm5%T MO-1-270-5%	RESISTOR,270 OHMS,CF,1W,5%(R109)	17794 56637	1
114	1A1A4R110	1179-0134-14 GENERIC	RESISTOR,330 OHMS,CF.,.25W,5%(R110)	11502 17794	1
115	1A1A4R113	1179-0197-01 SC3D-0.25	RESISTOR,0.25 OHMS,WW,3W,1%(R113)	ZZZ 17794 12697	1
116	1A1A4R117	1179-0198-01 CF2005820ohm5%T MO-2-820-5%	RESISTOR,820 OHMS,CF,2W,5%(R117)	17794 56637 11502	1

DWG. NO: R6020-0074

REV: C ECNO: 4398

DATE: 09/08/95

APP: *md*

TITLE: PCB, MULTIFUNCTION, PPS 400

INDEX	REFERENCE NO.	PART NO.	DESCRIPTION	FSCM	QTY
117	1A1A4R120	1179-0134-29 GENERIC	RESISTOR,4.7 KOHM,CF,.25W,5%(R120)	17794 ZZZ	1
118	1A1A4R121	1179-0197-02 SC3D-0.1	RESISTOR,0.1 OHM,WW,3W,1%(R121)	17794 12697	1
119	1A1A4R122	1179-0134-75 GENERIC	RESISTOR,220 OHM,CF,.25W,5%(R122)	17794 ZZZ	1
120	1A1A4R124	1179-0068 CF50s33ohm5%T	RESISTOR,33 OHM,CF,.5W,5%(R124)	17794 56637	1
121	1A1A4R125,R127	CF-1/2-33ohm-5% 1179-0135-01 GENERIC	RESISTOR,1 KOHM,CF,.5W,5%(R125,R127)	11502 17794 ZZZ	2
122	1A1A4R126	1179-0135-08 GENERIC	RESISTOR,2.7 OHM,CF,.5W,5%(R126)	17794 ZZZ	1
123-128 129	1A1A4TP1	1300-0004 TP-102-02	ITEM NUMBERS NOT USED TERMINAL, TEST POINT (TP1)	17794 26364	1
130-135 136	1A1A4U1,U6	1187-0063 LM324AN LM324AN LM324AN	ITEM NUMBERS NOT USED IC,LM324AN OP AMP,QUAD PK(U1,U6)	17794 27014 01295 04713	2
137	1A1A4U2	1187-0046 LM358N GL358	IC,LM358N OP AMP,DUAL PK(U2)	17794 27014 ZZZ	1
138	1A1A4U3	1187-0127 MC34074P	IC,MC34074P,OP AMP QUAD PK(U3)	17794 82393	1
139	1A1A4U4	1187-0111 MC1454BCP CD4541BE	IC,4541 CMOS TIMER(U4)	17794 82393 34371	1
140	1A1A4U5	1187-0036 ICM7555IPA	IC,ICM7555IPA CMOS TIMER(U5)	17794 34371	1
141	1A1A4U7	1187-0112 MC14011BCP CD4011BE	IC,4011B CMOS QUAD NAND(U7)	17794 82393 34371	1

DWG. NO: R6020-0074

TITLE: PCB, MULTIFUNCTION, PPS 400

REV: C EC NO: 4398 DATE: 09/08/94

APP: *md*

INDEX	REFERENCE NO.	PART NO.	DESCRIPTION	FSCM	QTY
142	1A1A4U8,U9	1187-0118 CD4001BE	IC,4001B CMOS QUAD NOR(U8,U9)	17794 34371	2
143	1A1A4U10	MCI4001BCP 1187-0113 MOC3023	IC,MOC3023 TRIAC DRIVER(U10)	8Z393 17794 8Z393	1

BLANK



PROPRIETARY PARTS LIST

The data in this proposal shall not be used or disclosed, except for evaluation purposes, provided that if a contract is awarded to this submitter, as a result of or in connection with the submission of this proposal, the Government shall have the right to use or disclose this technical data to the extent provided in the contract. This restriction does not limit the Government's right to use or disclose any technical data which is not proprietary to the submitter or is obtained from another source without restriction.

DWG. NO: R6020-0072

TITLE: PCB, MICROPROCESSOR, PPS 400

REV: B ECNO: 4398

DATE: 09/08/95

APP: *MA*

INDEX	REFERENCE NO.	PART NO.	DESCRIPTION	FSCM	QTY
REF					REF
1	1A1A5C2-C5,C8-C11,C14,C15, C18,C20,C24, C26,C27,C31-C33	6020-0072 1181-0060	PCB, MICROPROCESSOR, PPS 400 CAPACITOR, .1uF, 50V, CER(C2-C5, C8-C11, C14, C15, C18, C20, C24, C26, C27, C31-C33)	17794 17794	18
2	1A1A5C7	923CZ5U103M050B P103M26Z5UFVPWA 1181-0093 TAP106M035S	CAPACITOR, 10uF, 35V, TANT(C7)	56289 59821 17794 04222 31433	1
3	1A1A5C12,C13	T350G106M035AS 1181-0105 CK05BX330K C317C330J2G5CA	CAPACITOR, 33pF, 100V, CER(C12, C13)	17794 31433 17794 31433	2
4	1A1A5C16	1181-0085 EQ-QE1224KZ	CAPACITOR, .22uF, 100V, POLY(C16)	17794 PNSNC	1
5	1A1A5C19,C29	1181-0070 ME212-2145-103Z	CAPACITOR, .01uF, 50V, CER(C19, C29)	17794 MOSRE	2
6	1A1A5C21	1181-0103 T350A105K035AS	CAPACITOR, 1uF, 35V, TANT(C21)	17794 31433	1
7	1A1A5C22	1181-0113 712A1XC104PJ01ISG MKS 2 0.1uF 100V 5%	CAPACITOR, .1uF, 100V, FILM(C22)	17794 59821 68919	1
8	1A1A5C23	1181-0126 225TTA050M	CAPACITOR, 2.2uF, 50V, AL EL(C23)	17794 74840	1
9	1A1A5C25, C28, C30	1181-0125 MKT1817410065	CAPACITOR, .10uF, 63V, POLY(C25, C28, C30)	17794 4U402	3
10	1A1A5C34	1181-0102 C052C101K2G5CA	CAPACITOR, 100pF, 200V, CER(C34)	17794 31433	1
11-15			ITEM NUMBERS NOT USED		

DWG. NO: R6020-0072

REV: B

EC NO: 4398

DATE: 09/08/95

APP: *CM*

TITLE: PCB, MICROPROCESSOR, PPS 400

INDEX	REFERENCE NO.	PART NO.	DESCRIPTION	FSCM	QTY
16	1A1A5CR1-CR5,CR9,CR10	1183-0020 IN4148	DIODE,1N4148/1N914(CR1-CR5,CR9,CR10)	17794 25894	7
17	1A1A5CR6	1183-0049 IN5230B	DIODE,ZENER,4.7V,500mW,5%,1N5230B(CR6)	17794 82393	1
18	1A1A5CR7	1183-0043 MZ4615(NO SUFFIX) IN4615(NO SUFFIX)	DIODE,ZENER,2V,5%,1N4615(CR7)	17794 82393 MCRSI	1
19-23			ITEM NUMBERS NOT USED		
24	1A1A5E1	1207-0250 63525-1	TAB,PC MOUNT,1.187/.032(E1)	17794 09769	1
25	1A1A5E2	1207-0249 1287	TAB,PC MOUNT,25(E2)	17794 91833	1
26-28			ITEM NUMBERS NOT USED		
29	1A1A5H1	1349-0254 WTT-18V	TYWRAP,NYLON,1 WIDE X 8" LG(XU3)	17794 06915	1
30-33			ITEM NUMBERS NOT USED		
34	1A1A5H2-H6	1405-0017	SCREW, BINDER HD, #4-40 X 5/16" SLOT(XQ2,XQ7, XQ10,U1,Q17)	17794	5
35	1A1A5H7-H11	GENERIC 1410-0019	NUT, HEX W/LOCKWASHER, #4-40(XQ2,XQ7,XQ10, U1,Q17)	ZZZ 17794	5
36-38			ITEM NUMBERS NOT USED		
39	1A1A5J1	1207-0247 26-60-1160	HEADER,0.156 CTR.,16POS.(J1)	17794 27264	1
40	1A1A5J2	1332-0157 17-006-171 1-86947-6	CABLE,FLAT,17 CONDUCTOR,6"LG(J2)	17794 51167 09769	1
41	1A1A5J3	1207-0202 22-23-2161	HEADER,100 CTR.,16POS.(J3)	17794 27264	1
42	1A1A5J4	1207-0234 22-23-2021	HEADER,0.100 CTR.,2POS.(J4)	17794 27264	1

DWG. NO: R6020-0072

REV: B

EC NO: 4398

DATE: 09/08/95

APP: *gm*

TITLE: PCB, MICROPROCESSOR, PPS 400

INDEX	REFERENCE NO.	PART NO.	DESCRIPTION	FSCM	QTY
43	1A1A5J5	1207-0236 26-60-1130	HEADER,0.156 CTR.,13POS(J5)	17794 27264	1
44-46			ITEM NUMBERS NOT USED		
47	1A1A5LS1	1187-0104 QMB-06	SPEAKER(LS1)	17794 21967	1
48-50			ITEM NUMBERS NOT USED		
51	1A1A5MP1,MP2	1209-0007 6073B 6073PB	HEATSINK(XU1,XQ17)	17794 13103 13103	2
52	1A1A5MP3-MP5	1209-0033 563202B 6032B-TT	HEATSINK,TO-220(XQ2,XQ7,XQ10)	17794 30161 13103	3
53-54			ITEM NUMBERS NOT USED		
55	1A1A5Q1,Q3,Q6,Q9,Q12,Q26	1187-0067 2N3904	TRANSISTOR,NPN,2N3904,TO-92(Q1,Q3,Q6,Q9,Q12,Q26)	17794 82393	6
56	1A1A5Q2,Q7,Q10	1189-0042 T0810DJ	TRIAC,TO810DJ,TO-220,8.OA,400V(Q2,Q7,Q10)	17794 ZZZ	3
57	1A1A5Q4,Q5,Q8,Q11,Q22-24	1187-0049 2N3906 2N3906 2N3906	TRANSISTOR,PNP,2N3906,TO-92(Q4,Q5,Q8,Q11,Q22-Q24)	17794 OUST1 82393 27014	7
58	1A1A5Q13-Q16	1187-0097 2N4403	TRANSISTOR,PNP,2N4403,TO-92(Q13-Q16)	17794 82393	4
59	1A1A5Q17	1187-0092 TIP107 TIP107	TRANSISTOR,PNP,TIP107,TO-220AB(Q17)	17794 82393 01295	1
60	1A1A5Q18-Q20	1189-0041 MAC97A4	TRIAC,MAC97A4,0.6A,200V,TO-226AA(Q18-Q20)	17794 82393	3
61	1A1A5Q21	1187-0119 MPSA13	TRANSISTOR,NPN,MPSA13,TO-92(Q21)	17794 82393	1
62	1A1A5Q25	1187-0159 2N7000 2N7000	TRANSISTOR,2N7000,N-CHAN,TO-92(Q25)	17794 34371 82393	1
63-65			ITEM NUMBERS NOT USED		

DWG. NO: R6020-0072

TITLE: PCB, MICROPROCESSOR, PPS 400

REV: B EC NO: 4398 DATE: 09/08/95

APP: *pd*

INDEX	REFERENCE NO.	PART NO.	DESCRIPTION	FSCM	QTY
66	1A1A5R1,R32,R34	1179-0134-39 GENERIC	RESISTOR,100 KOHM,CF.,.25W,5%(R1,R32,R34)	17794 ZZZ	3
67	1A1A5R2,R20,R21,R24,R29,R30,R36	1179-0134-15	RESISTOR,10 KOHM,CF.,.25W,5%(R2,R20,R21,R24,R29 R30,R36)	17794	7
68	1A1A5R3,R35	GENERIC 1179-0155 GENERIC	RESISTOR,1 MOHM,CF.,.25W,5%(R3,R35)	ZZZ 17794 ZZZ	2
69	1A1A5R4,R6,R9	1179-0134-74 GENERIC	RESISTOR,3.6 KOHM,CF.,.25W,5%(R4,R6,R9)	17794 ZZZ	3
70	1A1A5R5,R8,R10	1179-0134-14 GENERIC	RESISTOR,330 OHM,CF.,.25W,5%(R5,R8,R10)	17794 ZZZ	3
71	1A1A5R7,R47,R18	1179-0134-29 GENERIC	RESISTOR,4.7 KOHM,CF.,.25W,5%(R7,R47,R18)	17794 ZZZ	3
72	1A1A5R11	1179-0201 CP-5-100ohm	RESISTOR,100 OHM,WW,5W,10%(R11)	17794 91637	1
73	1A1A5R12	1179-0134-05 GENERIC	RESISTOR,2.2 KOHM,CF.,.25W,5%(R12)	17794 ZZZ	1
74	1A1A5R13,R33,R57,R58	1179-0134-09 GENERIC	RESISTOR,47 KOHM,CF.,.25W,5%(R13,R33,R57,R58)	17794 ZZZ	4
75	1A1A5R14-R16	1179-0134-04 GENERIC	RESISTOR,1.5 KOHM,CF.,.25W,5%(R14-R16)	17794 ZZZ	3
76	1A1A5R17	1179-0177-09 CMF-55-1kohm,F,T-2 RG1kohm,T2-55,1% CRB25-1kohm-F-Y	RESISTOR,1 KOHM,MF.,.125W,1%(R17)	17794 91637 11502 OUST1	1
77	1A1A5R19	1179-0177-65 CMF-55-3.16kohm,F,T-2 RG3.16kohm,T2-55,1% CRB25-3.16kohm-F-Y	RESISTOR,3.16 KOHM,MF.,.125W,1%(R19)	17794 91637 11502 OUST1	1
78	1A1A5R22	1179-0134-66 GENERIC	RESISTOR,3 KOHM,CF.,.25W,5%(R22)	17794 ZZZ	1
79	1A1A5R23,R52,R53,R54,R56	1179-0134-03 GENERIC	RESISTOR,1 KOHM,CF.,.25W,5%(R23,R52,R53,R54,R56)	17794 ZZZ	5

DWG. NO: R6020-0072

REV: B EC NO: 4398 DATE: 09/08/95

APP: *ML*

TITLE: PCB, MICROPROCESSOR, PPS 400

INDEX	REFERENCE NO.	PART NO.	DESCRIPTION	FSCM	QTY
80	1A1A5R25	1179-0134-76 GENERIC	RESISTOR,15 KOHM,CF.,.25W,5%(R25)	17794 ZZZ	1
81	1A1A5R26-R28	1179-0177-06 CMF-55-10kohm,F,T-2 RG10kohm,T2-55,1% CRB25-10kohm-F-Y	RESISTOR,10 KOHM,MF.,.125W,1%(R26-R28)	17794 91637 11502 OUST1	3
82	1A1A5R31	1179-0134-69 GENERIC	RESISTOR,270 KOHM,CF.,.25W,5%(R31)	17794 ZZZ	1
83	1A1A5R37	1179-0134-20 GENERIC	RESISTOR,24 KOHM,CF.,.25W,5%(R37)	17794 ZZZ	1
84	1A1A5R38,R41	1179-0177-56 CMF-55-24.3kohm,F,T-2 RG24.3kohm,T2-55,1% CRB25-24.3kohm-F-Y	RESISTOR,24.3 KOHM,MF.,.125W,1%(R38,R41)	17794 91637 11502 OUST1	2
85	1A1A5R39,R42	1179-0177-84 CMF-55-105kohm,F,T-2 RG105kohm,T2-55,1% CRB25-105kohm-F-Y	RESISTOR,105 KOHM,MF.,.125W,1%(R39,R42)	17794 91637 11502 OUST1	2
86	1A1A5R40	1179-0134-01 GENERIC	RESISTOR,100 OHM,CF.,.25W,5%(R40)	17794 ZZZ	1
87	1A1A5R43,R44	1179-0177-50 CMF-55-100kohm,F,T-2 RG100kohm,T2-55,1% CRB25-100kohm-F-Y	RESISTOR,100 KOHM,MF.,.125W,1%(R43,R44)	17794 91637 11502 OUST1	2
88	1A1A5R45	1179-0177-85 CMF-55-511kohm,F,T-2 RG511kohm,T2-55,1% CRB25-511kohm-F-Y	RESISTOR,511 KOHM,MF.,.125W,1%(R45)	17794 91637 11502 OUST1	1
89	1A1A5R46	1179-0134-35 GENERIC	RESISTOR,200 KOHM,CF.,.25W,5%(R46)	17794 ZZZ	1
90	1A1A5R48	1179-0189 GENERIC	RESISTOR,100 OHM,.25W,.1%(R48)	17794 ZZZ	1
91	1A1A5R49	1179-0134-11 GENERIC	RESISTOR,12 KOHM,CF.,.25W,5%(R49)	17794 ZZZ	1

DWG. NO: R6020-0072

TITLE: PCB, MICROPROCESSOR, PPS 400

REV: B ECNO: 4398 DATE: 09/08/95

APP: *Ad*

INDEX	REFERENCE NO.	PART NO.	DESCRIPTION	FSCM	QTY
92	1A1A5R50	1179-0190 GENERIC	RESISTOR,291 OHM, .25W, .1%(R50)	17794 ZZZ	1
93	1A1A5R51	1179-0134-02 GENERIC	RESISTOR,820 OHM,CF, .25W,5%(R51)	17794 ZZZ	1
94	1A1A5R55	1179-0134-80 GENERIC	RESISTOR,36 OHM,CF, .25W,5%(R55)	17794 ZZZ	1
95-97			ITEM NUMBERS NOT USED		
98	1A1A5RN1	1179-0187-03 4308R-102-681	RESISTOR,SIP,8 PIN,680 OHM, .125W,2%(RN1)	17794 32997	1
99	1A1A5RN2	1179-0187-02 4310R-101-473	RESISTOR,SIP,10 PIN,47 KOHM, .125W,2%(RN2)	17794 32997	1
100	1A1A5RN3	1179-0187-01 4310R-101-103	RESISTOR,SIP,10 PIN,10 KOHM, .125W,2%(RN3)	17794 32997	1
101	1A1A5RN4	1179-0188-03 4114R-0011-472	RESISTOR,DIP,14 PIN,4.7 KOHM, .125W,2%(RN4)	17794 32997	1
102	1A1A5RN5	1179-0188-02 4116R-001-330	RESISTOR,DIP,16 PIN,33 OHM, .125W,2%(RN5)	17794 32997	1
103-105 106	1A1A5TP1	1300-0004 TP-102-02	ITEM NUMBERS NOT USED TERMINAL, TEST POINT(TP1)	17794 26364	1
107-108 109	1A1A5U1	1187-0039 LM340T-5 LM340-5	ITEM NUMBERS NOT USED IC,LM340-5 REGULATOR,+5V(U1)	17794 27014 01295	1
110	1A1A5U2	1187-0122 LM320LZ-5.0	IC,LM320LZ-5 REGULATOR,-5V(U2)	17794 27014	1
111	1A1A5U3	1187-0110	MICROCONTROLLER,MASKED,VERSION1.1(U3)	17794	1
112	1A1A5U4	1187-0109 NM93C46N XLS93C46P TS93C46P	IC,93C46,EEPROM,CMOS(U4)	17794 27014 66419 ZZZ	1
113	1A1A5U5,U6	1187-0125 ULN-2004A	IC,ULN-2004A ARRAY,TRANSISTOR(U5,U6)	17794 SPRGE	2

DWG. NO: R6020-0072

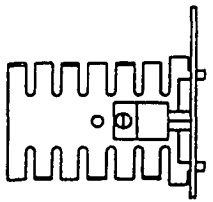
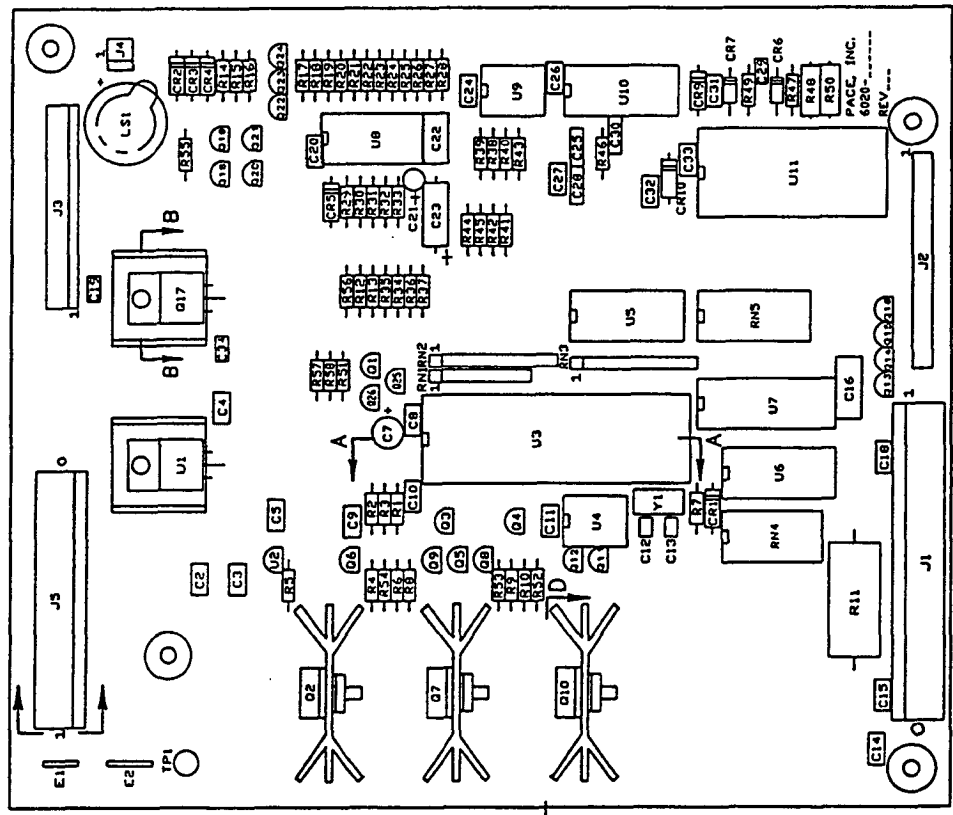
REV: B ECNO: 4398 DATE: 09/08/95

APP: *M*

TITLE: PCB, MICROPROCESSOR, PPS 400

INDEX	REFERENCE NO.	PART NO.	DESCRIPTION	FSCM	QTY
114	1A1A5U7	1187-0120 MM74HC374N	IC,74HC374N CMOS OCTAL D-TYPE FLIP-FLOP(U7)	17794 27014	1
115	1A1A5U8	1187-0075 LM339AN LM339AN LM339AN	IC,LM339AN,DIFF.COMPARATOR(U8)	17794 27014 01295 ZZZ	1
116	1A1A5U9	1187-0046 LM358N GL358	IC,LM358N, OP AMP, DUAL PK(U9)	17794 27014 ZZZ	1
117	1A1A5U10	1187-0124 TC500ACPE	IC,TC500A, PROCESSOR, ANALOG(U10)	17794 15818	1
118	1A1A5U11	1187-0126 DG507ACJ	IC,DG507A,ANALOG MULTIPLEXER,DUAL 8TO1(U11)	17794 34371	1
119-120 121	1A1A5XU3	1207-0177 2-641606-3 A-42000-4030	ITEM NUMBERS NOT USED SOCKET,40 PINS(XU3)	17794 09769 27264	1
122-124 125	1A1A5Y1	1180-0002 CSA12.0MT KBR-12.0M	ITEM NUMBERS NOT USED RESONATOR,12.0 MHZ,CER(Y1)	17794 51406 04222	1

REVISIONS		DATE	BY	CHKD	APPROVED
A	EC 3788		C CARONNO	M PART	12/14/77
B	EC 4318		C CARONNO	U PART	07/24/77



A D U C

4 3 2 1

DWG NO. C

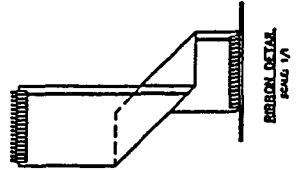
The data in this proposal and all its use or disclosure, except the exclusive agreement, provided that it is intended to be used in the manufacture of a product or in the performance of a service, shall be held in confidence by the recipient and shall not be disclosed to any third party without the prior written consent of the originator. This proposal and all its use or disclosure shall be held in confidence by the recipient and shall not be disclosed to any third party without the prior written consent of the originator.

PROPRIETARY ASSEMBLY DRAWING

The drawing contains information proprietary to PACE, INC. and is not to be reproduced or used in any manner without the prior written consent of PACE, INC. ANY OTHER USE IS STRICTLY PROHIBITED EXCEPT AS SPECIFIED IN WRITING.

		PCB, MICROPROCESSOR PPS 400	
DRAWING NO. 17794		DRAWING NO. R6020-0072	
SHEET NO. 1		OF 1	

TOLERANCES	
SPACE	± .01
ANGLES	± .5°
UNLESS OTHERWISE SPECIFIED DIMENSIONS ARE IN INCHES. DO NOT SCALE.	
MATERIAL	-
FINISH	-





PROPRIETARY PARTS LIST

The data in this proposal shall not be used or disclosed, except for evaluation purposes, provided that if a contract is awarded to this submitter as a result of or in connection with the submission of this proposal, the Government shall have the right to use or disclose this technical data to the extent provided in the contract. This restriction does not limit the Government's right to use or disclose any technical data which is not proprietary to the submitter or is obtained from another source without restriction.

DWG. NO: R6020-0073

REV: A ECNO: 3759 DATE: 3/4/94
 AMENDED P/L FORMAT: 8/23/94

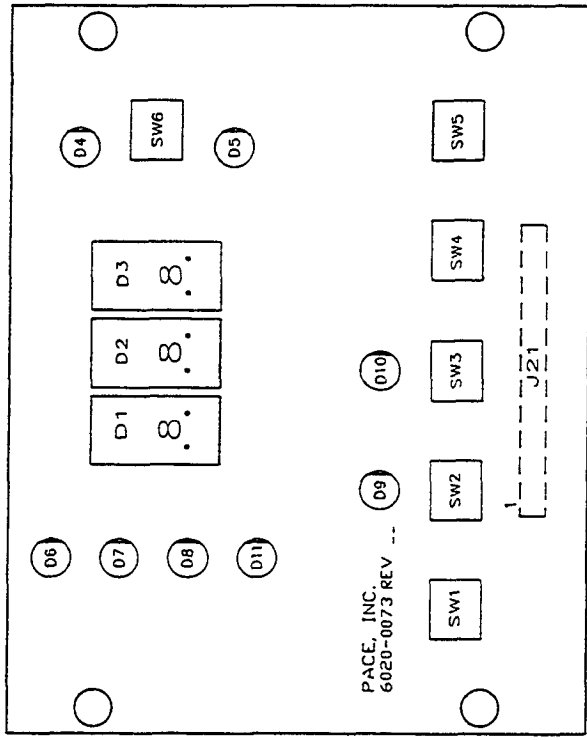
APP: *pk*

TITLE: PCB,DISPLAY, PPS 400

INDEX	REFERENCE NO.	PART NO.	DESCRIPTION	FSCM	QTY
REF					REF
1	1A1A6 1A1A6D1-D3	6020-0073 1183-0034 SEA3111 5082-7611	PCB,DISPLAY, PPS 400 DISPLAY, LED,RED,.3",SEVEN SEGMENT(D1-D3)	17794 17794 ZZZ 28480	3
2	1A1A6D4-D10	1183-0035 ID3753 SE5031D IILMP-4601	DIODE,LED,RED,DIFFUSED,T-1 3/4"(D4-D10)	17794 33763 ZZZ 28480	7
3	1A1A6D11	1183-0040 IILMP-3307	DIODE,LED,GREEN,DIFFUSED,T-1 3/4"(D11)	17794 28480	1
4-8 9	1A1A6J21	1207-0246 643649-6	ITEM NUMBERS NOT USED CONNECTOR,17 POS.,100 CTR(J21)	17794 09769	1
10-13 14 15-19 20	1A1A6MP1-MP6 1A1A6SW1-SW6	1311-0110 1187-0105 KSA0N1431	ITEM NUMBERS NOT USED KEYCAP,SWITCH,GRAY(SW1-SW6) ITEM NUMBERS NOT USED SWITCH,PCB PUSH BUTTON(SW1-SW6)	17794 17794 31918	6 6 6

CHK 6020-0073 A

REVISIONS		DATE	BY	APPROVED
LEVEL	A	12/11/78	E. CARSON	W. J. WILSON
AUTORIZATION		DATE	BY	APPROVED
EC-2753P		12/11/78	E. CARSON	W. J. WILSON



The data in this drawing shall not be used or disclosed, in whole or in part, for any purpose, without the written consent of PACE, INC. This drawing is the property of PACE, INC. and shall not be used or disclosed, in whole or in part, for any purpose, without the written consent of PACE, INC.

PROPRIETARY ASSEMBLY DRAWING

THIS DRAWING CONTAINS PROPRIETARY INFORMATION AND IS THE PROPERTY OF PACE, INC. IT IS TO BE USED ONLY FOR THE PURPOSES SPECIFIED IN THIS DRAWING. IT IS NOT TO BE REPRODUCED, COPIED, OR DISCLOSED IN ANY MANNER WITHOUT THE WRITTEN PERMISSION OF PACE, INC. ANY OTHER USE IS PROHIBITED.		PAGE [®] with PACE, INC. is a registered trademark of PACE, INC. in the United States and other countries.	
UNLESS OTHERWISE SPECIFIED DIMENSIONS ARE IN INCHES		TOLERANCES	
SPACE	± .01	SPACE	± .005
ANGLES	± .5°	ANGLES	± .5°
FINISH		FINISH	
-		-	
MATERIAL		MATERIAL	
-		-	
FIG. NO.		PAGE NO.	
17794		R6020-0073	
REV. SCALE 2/1		SHEET 1 OF 1	



PROPRIETARY PARTS LIST

The data in this proposal shall not be used or disclosed, except for evaluation purposes, provided that if a contract is awarded to this submitter, as a result of or in connection with the submission of this proposal, the Government shall have the right to use or disclose this technical data to the extent provided in this contract. This restriction does not limit the Government's right to use or disclose any technical data which is not proprietary to the submitter or is obtained from another source without restriction.

DWG. NO: R1207-0270

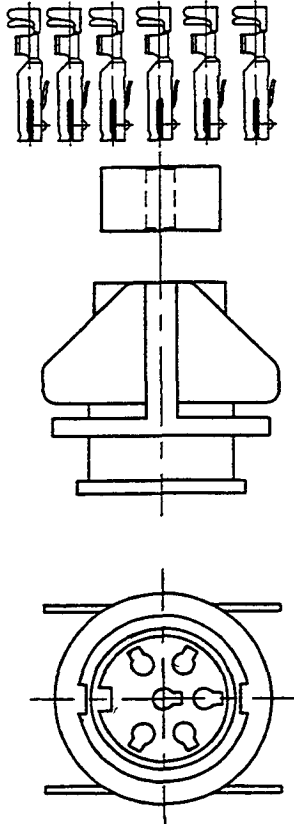
REV: A EC NO: 3759 DATE: 3/4/94 APP: *M*
AMENDED P/L FORMAT: 8/23/94

TITLE: RECEPTACLE ASSY

INDEX	REFERENCE NO.	PART NO.	DESCRIPTION	FSCM	QTY
REF	1A1J40	1207-0270	RECEPTACLE ASSY	17794	REF
	1A1J41				
	1A1J42				
	1A1J43				
	1A1J52				
	1A1J57				
	1A1J58				
	1A1J59				

DWG NO. **B 1207-0270** **A**

REVISIONS			
LEVEL	AUTHORIZATION	DES. ENG. INITIAL	RELEASE APPROVAL SIGNATURE
A	EC 3759	C.CARDNO	M.PANT 3/4/8



- 1A1J40 1207-0270
- 1A1J41 1207-0270
- 1A1J42 1207-0270
- 1A1J43 1207-0270
- 1A1J52 1207-0270
- 1A1J57 1207-0270
- 1A1J58 1207-0270
- 1A1J59 1207-0270

The data in this proposal shall not be used or disclosed, except for evaluation purposes, provided that if a contract is awarded to this submitter as a result of or in connection with the submission of this proposal, the Government shall have the right to use or disclose the data in this proposal for the purposes provided herein. This restriction does not limit the Government's right to use or disclose any technical data which is not proprietary to the submitter or is obtained from another source without restriction.

PROPRIETARY ASSEMBLY DRAWING

THIS DRAWING CONTAINS INFORMATION PROPRIETARY TO PACE INC.. ANY REPRODUCTION, DISCLOSURE OR USE OF THIS DRAWING IS EXPRESSLY PROHIBITED EXCEPT AS PACE INC. MAY OTHERWISE AGREE IN WRITING.

PAGE PACE Incorporated
9903 Stevens Court
Lanham, MD 20723, U.S.A.
TEL: (301) 450-1900 FAX: (301) 450-2160
Systems for Development, Production, and Repair of Electronic Assemblies

UNLESS OTHERWISE SPECIFIED DIMENSIONS ARE IN INCHES. DO NOT SCALE.	TOLERANCES	
	2 PLACE	3 PLACE ANGLES
	± .01	± .005 ± .5°

RECEPTACLE ASSEMBLY

F.S.C.M. NO. **17794** DWG. NO. **R1207-0270**

REF. SCALE **2x** SK SHEET **1** OF **1**



PROPRIETARY PARTS LIST

The data in this proposal shall not be used or disclosed, except for evaluation purposes, provided that if a contract is awarded to this submitter as a result of or in connection with the submission of this proposal, the Government shall have the right to use or disclose this technical data to the extent provided in the contract. This restriction does not limit the Government's right to use or disclose any technical data which is not proprietary to the submitter or is obtained from another source without restriction.

DWG. NO: R3008-0056

REV: A EC NO: 3759 DATE: 3/4/94
AMENDED P/L FORMAT: 8/23/94

APP: *MA*

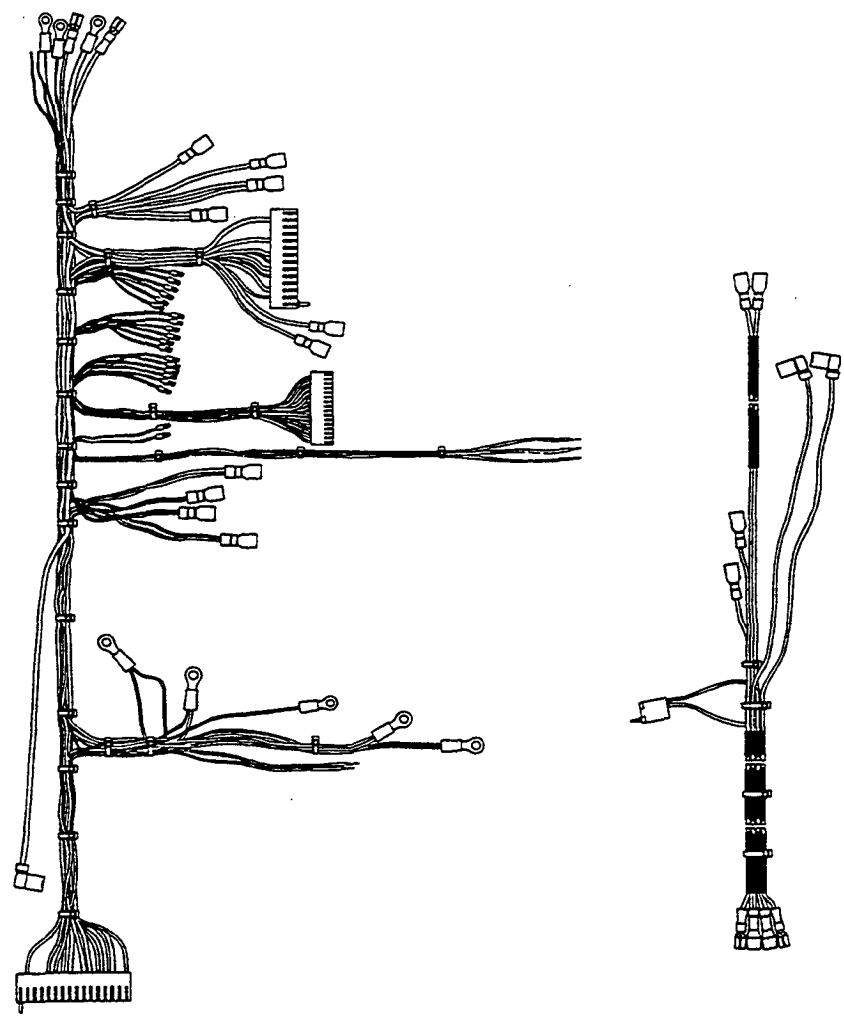
TITLE: WIRE HARNESS, CHASSIS, PPS 400

INDEX	REFERENCE NO.	PART NO.	DESCRIPTION	FSCM	QTY
-------	---------------	----------	-------------	------	-----

REF	1A1W1	3008-0056	WIRE HARNESS, CHASSIS, PPS 400	17794	REF
-----	-------	-----------	--------------------------------	-------	-----

LEVEL	REVISIONS	DATE	BY	APPROVED
A	1	10/17/77	WJ	WJ
	2			
	3			
	4			

4 3 2 1



This data is the property of the Government and is loaned to you for your information only. It is not to be distributed outside your organization. If you are a contractor, you are to keep this information confidential. If you are an employee of the Government, you are to keep this information confidential. If you are a contractor, you are to keep this information confidential. If you are an employee of the Government, you are to keep this information confidential.

PROPRIETARY SOURCE CONTROL DRAWING

THIS DRAWING CONTAINS INFORMATION PROPRIETARY TO DAGLE INC. ANY REPRODUCTION, DISCLOSURE OR USE OF THIS INFORMATION WITHOUT THE WRITTEN PERMISSION OF DAGLE INC. MAY BE PROSECUTED AS A VIOLATION OF FEDERAL LAWS.		DAGLE WIRE HARNESS DIVISION 10000 W. 10TH AVENUE DENVER, CO 80231	
UNLESS OTHERWISE SPECIFIED DIMENSIONS ARE IN INCHES DO NOT SCALE		WIRE HARNESS CHASSIS, PPS-400	
TOLERANCES FINISH		FIG. NO. 17794 DWG. NO. R3008-0056	
DIMENSIONS 1.00 ± .01 .50 ± .005 .125 ± .005		REF. SCALE 1/2" = 1" SHEET 1 OF 1	

4 3 2 1

55



PROPRIETARY PARTS LIST

The data in this proposal shall not be used or disclosed, except for evaluation purposes, provided that if a contract is awarded to this submitter as a result of or in connection with the submission of this proposal, the Government shall have the right to use or disclose this technical data to the extent provided in the contract. This restriction does not limit the Government's right to use or disclose any technical data which is not proprietary to the submitter or is obtained from another source without restriction.

DWG. NO: R3008-0057

REV: A EC NO: 3759 DATE: 3/4/94
AMENDED P/L FORMAT: 8/23/94

APP: *M*

TITLE: WIRING HARNESS, FT. PANEL, PPS 400

INDEX	REFERENCE NO.	PART NO.	DESCRIPTION	FSCM	QTY
-------	---------------	----------	-------------	------	-----

REF	1A1W2	3008-0057	WIRING HARNESS, FT. PANEL, PPS 400	17794	REF
-----	-------	-----------	------------------------------------	-------	-----

A

B

C

D

4

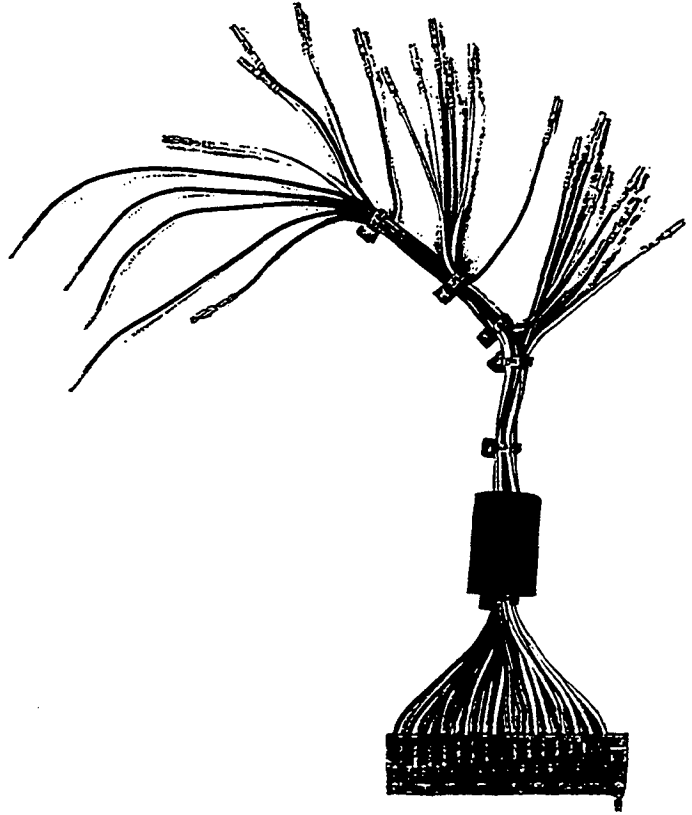
3

2

1

DWG NO. C

REVISIONS		DATE	BY	APPROVAL
LEVEL	A			
AUTHORIZATION		EC 2723		
DRAWING NO.		17794		
PART NO.		R3008-0057		



The data in this proposal shall not be used or distributed, copied for marketing purposes, provided that it is confined to the subject of the proposal, and is not to be used in connection with the submission of the proposal for any other project. This restriction shall not apply to the Government's right to use or distribute any information or data which is not proprietary to the contractor or is obtained from other sources without restriction.

PROPRIETARY SOURCE CONTROL DRAWING

THIS DRAWING CONTAINS INFORMATION PROPRIETARY TO PAGE INC. ANY REPRODUCTION, DISCLOSURE OR USE OF THIS DRAWING IS EXPRESSLY PROHIBITED EXCEPT AS AUTHORIZED BY PAGE INC. IN WRITING.		PAGE <small>INCORPORATING THE BEST OF INDUSTRIAL TECHNOLOGY</small>	
TOLERANCES DIMENSIONS ARE IN INCHES DO NOT SCALE.		FINISH	MATERIAL
DIMENSIONS SPECIFIED IN PLACE	$\pm .01$	DIMENSIONS IN PLACE	$\pm .05$
PSCM NO. 17794		DWG NO. R3008-0057	
REF. SCALE 1/16"		PART 3 OF 1	



PROPRIETARY PARTS LIST

The data in this proposal shall not be used or disclosed, except for evaluation purposes, provided that if a contract is awarded to this submitter as a result of or in connection with the submission of this proposal, the Government shall have the right to use or disclose this technical data to the extent provided in the contract. This restriction does not limit the Government's right to use or disclose any technical data which is not proprietary to the submitter or is obtained from another source without restriction.

DWG. NO: R3008-0063

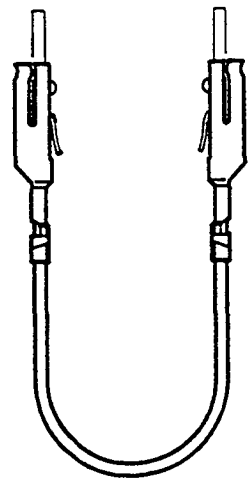
REV: A EC NO: 3759 DATE: 3/4/94 APP: *M*
AMENDED P/L FORMAT: 8/23/94

TITLE: HARNESS, JUMPER

INDEX	REFERENCE NO.	PART NO.	DESCRIPTION	FSCM	QTY
REF	1A1W3	3008-0063	HARNESS, JUMPER	17794	REF


DWG NO.
 A R3008-0063
 A

REVISIONS				
LEVEL	AUTHORIZATION	DES. ENG. INITIAL	MFG. ENG. INITIAL	RELEASE APPROVAL INITIAL/DATE
A	EC 3759	CC	MP	MM 2/1/94



The data in this proposal shall not be used or disclosed, except for evaluation purposes, provided that if a contract is awarded to this submitter as a result of or in connection with the submission of this proposal, the Government shall have the right to use or disclose this technical data to the extent provided in the contract. This restriction does not limit the Government's right to use or disclose any technical data which is not proprietary to the submitter or is obtained from another source without restriction.

PROPRIETARY SOURCE CONTROL DRAWING

THIS DRAWING CONTAINS INFORMATION PROPRIETARY TO PACE INC. ANY REPRODUCTION, DISCLOSURE OR USE OF THIS DRAWING IS EXPRESSLY PROHIBITED EXCEPT AS PACE INC. MAY OTHERWISE AGREE IN WRITING.		 © PACE, Incorporated 9893 Brewers Court Laurel, MD 20723, U.S.A. TEL (301) 400-0860 FAX (301) 604-2160		
UNLESS OTHERWISE SPECIFIED DIMENSIONS ARE IN INCHES. DO NOT SCALE.	TOLERANCES			<h1>HARNESS JUMPER</h1>
	2 PLACE	3 PLACE	ANGLES	
	± .01	± .005	± .5°	
MATERIAL	FINISH			
	F.S.C.M. NO.	DWG. NO.		
	17794	R3008-0063		
	REF. SCALE 1/1	SK	SHEET 1 OF 1	



PROPRIETARY PARTS LIST

The data in this proposal shall not be used or disclosed, except for evaluation purposes, provided that if a contract is awarded to this submitter, as a result of or in connection with the submission of this proposal, the Government shall have the right to use or disclose this technical data to the extent provided in the contract. This restriction does not limit the Government's right to use or disclose any technical data which is not proprietary to the submitter or is obtained from another source without restriction.

DWG. NO: R6021-0006

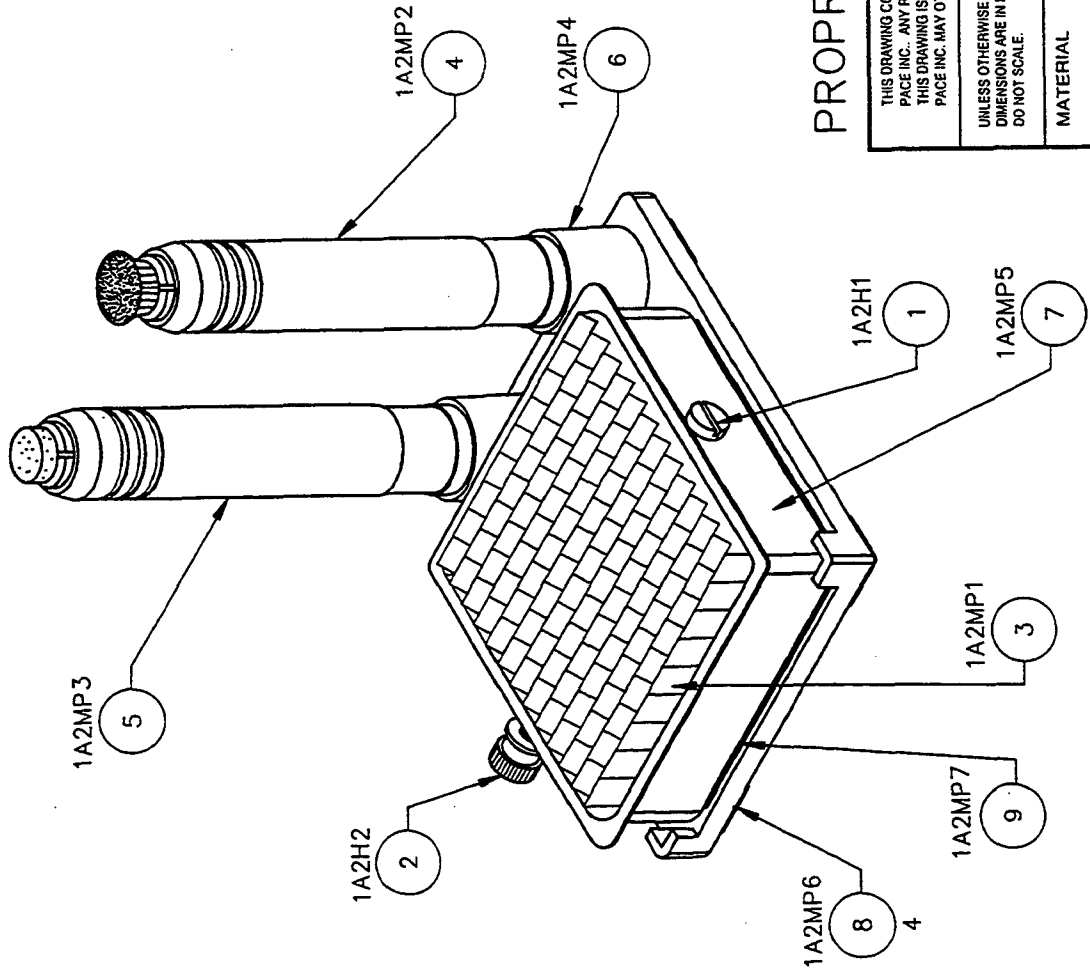
REV: A EC NO: 3759 DATE: 3/4/94
APP: *pd*
AMENDED P/L FORMAT: 8/23/94

TITLE: CLEANING STATION, SMT

INDEX	REFERENCE NO.	PART NO.	DESCRIPTION	FSCM	QTY
REF					REF
1	1A2 1A2H1	6021-0006 1405-0633 GENERIC	CLEANING STATION, SMT SCREW, PAN HD, #6-32X2.75"LG.	17794 17794 ZZZ	1
2	1A2H2	1410-0093 GENERIC	NUT, THUMB, #6-32	17794 ZZZ	1
3	1A2MP1	4021-0007-P7	SPONGE, DISH	17794	1
4	1A2MP2	1100-0232	TOOL, CLEANING, FIBER	17794	1
5	1A2MP3	1100-0233	TOOL, CLEANING, SPONGE	17794	1
6	1A2MP4	1321-0230	STAND, CLEANING STATION	17794	1
7	1A2MP5	1321-0229	DISH, CLEANING STATION	17794	1
8	1A2MP6	1317-0025	PAD, NEOPRENE, 5"X.5"X. 12"	17794	4
9	1A2MP7	1317-0026	PAD, NEOPRENE, 2"X 2"X .06"	17794	1
10		5050-0285	INST. SHEET, CLEANING STATION	17794	1

DWG. NO. **B R 6021-0006** A

REVISIONS		DESIGN NO.	DESIGNER	DATE	APPROVAL
LEVEL	AUTHORIZATION	EC 3759	C. CARDINO	M. PANT	03/04/94



The data in this proposal shall not be used or disclosed, except for evaluation purposes, provided that if a contract is awarded to the submitter, the submitter shall be held responsible for the submission of this proposal, in whole or in part, to any other party. This restriction does not limit the Government's right to use or disclose any technical data which is not proprietary to the submitter or is obtained from another source without restriction.

PROPRIETARY ASSEMBLY DRAWING

THIS DRAWING CONTAINS INFORMATION PROPRIETARY TO PACE INC.. ANY REPRODUCTION, DISCLOSURE OR USE OF THIS DRAWING IS EXPRESSLY PROHIBITED EXCEPT AS PACE INC. MAY OTHERWISE AGREE IN WRITING.

PACE INCORPORATED
 9600 Brentwood Court
 Laurel, MD 20722, U.S.A.
 TEL: (301) 493-9600 FAX: (301) 494-2160
 Systems for Development, Production, and Repair of Electronic Assemblies

UNLESS OTHERWISE SPECIFIED DIMENSIONS ARE IN INCHES. DO NOT SCALE.	TOLERANCES	
	2 PLACE	ANGLES
	± .01	± .5°

CLEANING STATION
SMT

F.S.C.M. NO. **17794** DWG. NO. **R6021-0006**

REF. SCALE **1/1** SK SHEET **1** OF **1**



PROPRIETARY PARTS LIST

The data in this proposal shall not be used or disclosed, except for evaluation purposes, provided that if a contract is awarded to this submitter as a result of or in connection with the submission of this proposal, the Government shall have the right to use or disclose this technical data to the extent provided in the contract. This restriction does not limit the Government's right to use or disclose any technical data which is not proprietary to the submitter or is obtained from another source without restriction.

DWG. NO: R1100-0232

REV: A EC NO: 3759 DATE: 3/4/94
AMENDED P/L FORMAT: 8/23/94

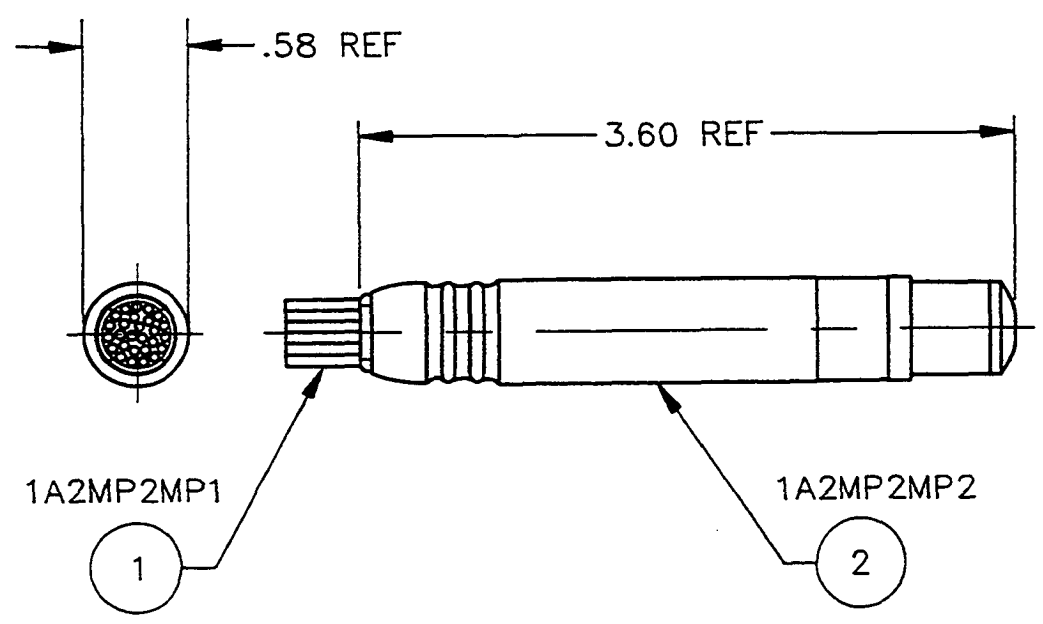
APP: *ml*

TITLE: TOOL, CLEANING, FIBER

INDEX	REFERENCE NO.	PART NO.	DESCRIPTION	FSCM	QTY
REF					REF
1	1A2MP2	1100-0232	TOOL, CLEANING, FIBER	17794	1
2	1A2MP2MP1	1127-0013	BRUSH, FIBER	17794	1
	1A2MP2MP2	1119-0063	HANDLE	17794	1

DWG. NO. A R1100-0232 A

REVISIONS				
LEVEL	AUTHORIZATION	DES. ENG. INITIAL	MFG. ENG. INITIAL	RELEASE APPROVAL INITIAL/DATE
A	EC 3759	C. CARDNO	M. PANT	<i>[Signature]</i> 3/4/94



The data in this proposal shall not be used or disclosed, except for evaluation purposes, provided that if a contract is awarded to this submitter as a result of or in connection with the submission of this proposal, the Government shall have the right to use or disclose this technical data to the extent provided in the contract. This restriction does not limit the Government's right to use or disclose any technical data which is not proprietary to the submitter or is obtained from another source without restriction.

PROPRIETARY ASSEMBLY DRAWING

THIS DRAWING CONTAINS INFORMATION PROPRIETARY TO PACE INC.. ANY REPRODUCTION, DISCLOSURE OR USE OF THIS DRAWING IS EXPRESSLY PROHIBITED EXCEPT AS PACE INC. MAY OTHERWISE AGREE IN WRITING.

PACE [®] PACE Incorporated
 9650 Brewers Court
 Laurel, MD 20723, U.S.A.
 TEL (301) 490-9860 FAX (301) 604-2160
 Systems for Development, Production, and Repair of Electronic Assemblies

UNLESS OTHERWISE SPECIFIED DIMENSIONS ARE IN INCHES. DO NOT SCALE.	TOLERANCES		
	2 PLACE	3 PLACE	ANGLES
	± .01	± .005	± .5°

TOOL, CLEANING FIBER

MATERIAL	FINISH
-	-

F.S.C.M. NO.	DWG. NO.
17794	R1100-0232
REF. SCALE 1/1	SK - SHEET 1 OF 1



PROPRIETARY PARTS LIST

The data in this proposal shall not be used or disclosed, except for evaluation purposes, provided that if a contract is awarded to this submitter as a result of or in connection with the submission of this proposal, the Government shall have the right to use or disclose this technical data to the extent provided in the contract. This restriction does not limit the Government's right to use or disclose any technical data which is not proprietary to the submitter or is obtained from another source without restriction.

DWG. NO: R1100-0233

REV: A EC NO: 3759 DATE: 3/4/94
AMENDED P/L FORMAT: 8/23/94

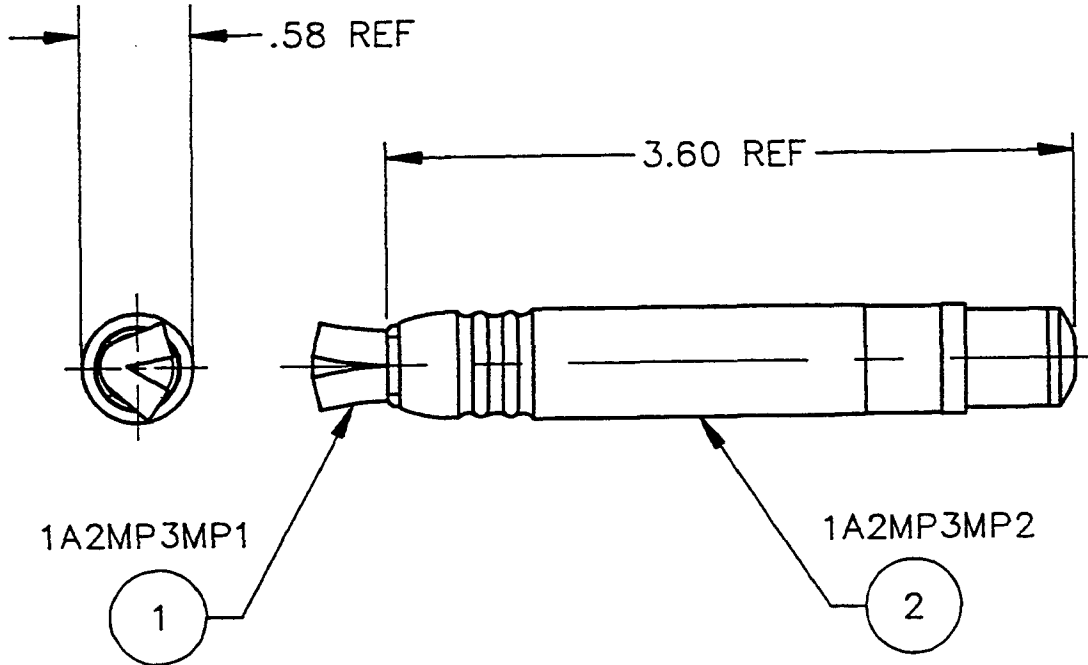
APP: *M*

TITLE: TOOL, CLEANING, SPONGE

INDEX	REFERENCE NO.	PART NO.	DESCRIPTION	FSCM	QTY
REF	1A2MP3	1100-0233	TOOL, CLEANING, SPONGE	17794	REF
1	1A2MP3MP1	4021-0006	SPONGE	17794	1
2	1A2MP3MP2	1119-0063	HANDLE	17794	1

DWG NO.
A R1100-0233 A

REVISIONS				
LEVEL	AUTHORIZATION	DES. ENG. INITIAL	MFG. ENG. INITIAL	RELEASE APPROVAL INITIAL/DATE
A	EC 3759	G. CARDNO	M. PANT	<i>[Signature]</i> 3/4/94



The data in this proposal shall not be used or disclosed, except for evaluation purposes, provided that if a contract is awarded to this submitter as a result of or in connection with the submission of this proposal, the Government shall have the right to use or disclose this technical data to the extent provided in the contract. This restriction does not limit the Government's right to use or disclose any technical data which is not proprietary to the submitter or is obtained from another source without restriction.

PROPRIETARY ASSEMBLY DRAWING

THIS DRAWING CONTAINS INFORMATION PROPRIETARY TO PACE INC.. ANY REPRODUCTION, DISCLOSURE OR USE OF THIS DRAWING IS EXPRESSLY PROHIBITED EXCEPT AS PACE INC. MAY OTHERWISE AGREE IN WRITING.

PAGE®

PAGE, Incorporated
9800 Brewers Court
Laurel, MD 20723, U.S.A.
TEL (301) 480-8660 FAX (301) 604-2160

Systems for Development, Production, and Repair of Electronic Assemblies

UNLESS OTHERWISE SPECIFIED
DIMENSIONS ARE IN INCHES.
DO NOT SCALE.

TOLERANCES

2 PLACE	3 PLACE	ANGLES
± .01	± .005	± .5°

TOOL, CLEANING SPONGE

MATERIAL

—

FINISH

—

F.S.C.M. NO.

17794

DWG. NO.

R1100-0233

REF. SCALE 1/1

SK —

SHEET 1 OF 1



PROPRIETARY PARTS LIST

The data in this proposal shall not be used or disclosed, except for evaluation purposes, provided that if a contract is awarded to this submitter as a result of or in connection with the submission of this proposal, the Government shall have the right to use or disclose this technical data to the extent provided in the contract. This restriction does not limit the Government's right to use or disclose any technical data which is not proprietary to the submitter or is obtained from another source without restriction.

DWG. NO: R6008-0115

REV: A EC NO: 3759 DATE: 3/4/94
AMENDED P/L FORMAT: 8/23/94

APP: *[Signature]*

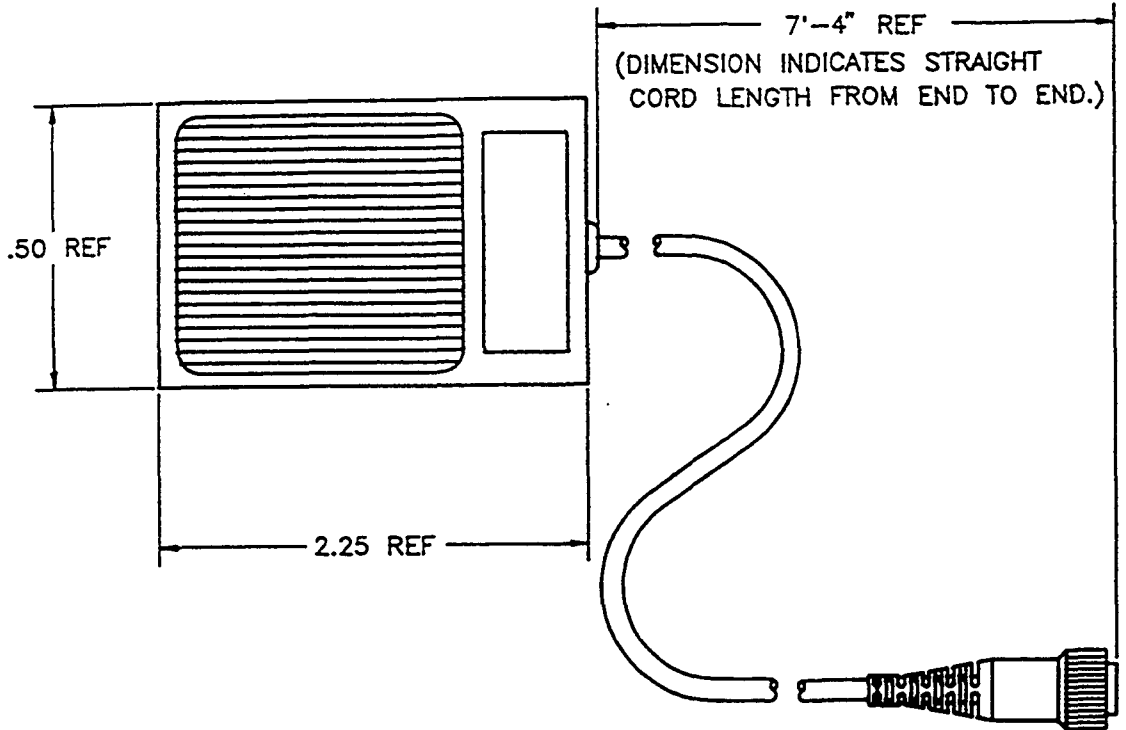
TITLE: FOOT PEDAL, TREADLINE

INDEX	REFERENCE NO.	PART NO.	DESCRIPTION	FSCM	QTY
-------	---------------	----------	-------------	------	-----

REF	1A3	6008-0115	FOOT PEDAL, TREADLINE	17794	REF
-----	-----	-----------	-----------------------	-------	-----

REVISIONS				
LEVEL	AUTHORIZATION	DES. ENG. INITIAL	MFG. ENG. INITIAL	RELEASE APPROVAL INITIAL/DATE
A	EC 3759	G. CARDNO	M. PANT	3/4/94

DWG NO.
A



The data in this proposal shall not be used or disclosed, except for evaluation purposes, provided that if a contract is awarded to this submitter as a result of or in connection with the submission of this proposal, the Government shall have the right to use or disclose this technical data to the extent provided in the contract. This restriction does not limit the Government's right to use or disclose any technical data which is not proprietary to the submitter or is obtained from another source without restriction.

PROPRIETARY SOURCE CONTROL DRAWING

THIS DRAWING CONTAINS INFORMATION PROPRIETARY TO PACE INC.. ANY REPRODUCTION, DISCLOSURE OR USE OF THIS DRAWING IS EXPRESSLY PROHIBITED EXCEPT AS PACE INC. MAY OTHERWISE AGREE IN WRITING.

PAGE PACE Incorporated
6880 Browns Court
Lanar, MD 20723, U.S.A.
TEL (301) 480-8880 FAX (301) 480-2188
Systems for Development, Production, and Repair of Electronic Assemblies

UNLESS OTHERWISE SPECIFIED DIMENSIONS ARE IN INCHES. DO NOT SCALE.	TOLERANCES		
	2 PLACE ± .01	3 PLACE ± .005	ANGLES ± .5°
MATERIAL COMMERCIAL	FINISH NONE		

<h1>FOOT PEDAL TREADLINE</h1>	
F.S.C.M. NO. 17794	DWG. NO. R6008-0115
REF. SCALE -	SK - SHEET 1 OF 1



PROPRIETARY PARTS LIST

The data in this proposal shall not be used or disclosed, except for evaluation purposes, provided that if a contract is awarded to this submitter as a result of or in connection with the submission of this proposal, the Government shall have the right to use or disclose this technical data to the extent provided in the contract. This restriction does not limit the Government's right to use or disclose any technical data which is not proprietary to the submitter or is obtained from another source without restriction.

DWG. NO: R6910-0077

REV: A EC NO: 3759 DATE: 3/4/94 APP: *M*
 B EC NO: 4366 DATE: 5/21/96

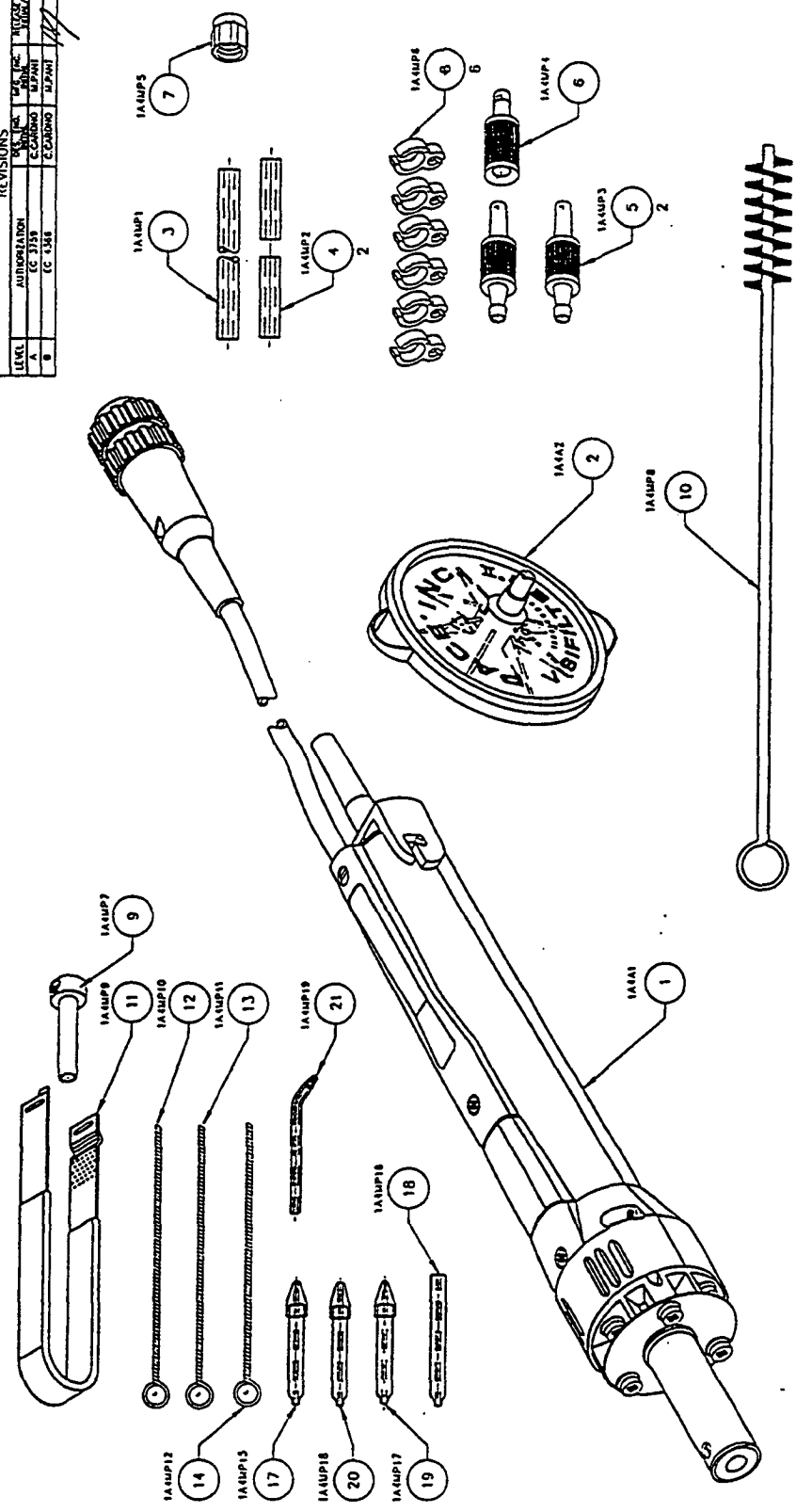
TITLE: EXTRACTOR, SOLDER, SX-70 W/ACCESSORIES

AMENDED P/L FORMAT: 8/23/94

INDEX	REFERENCE NO.	PART NO.	DESCRIPTION	FSCM	QTY
REF					REF
1	1A4	6910-0077	EXTRACTOR, SOLDER, SX-70 W/ACCESSORIES	17794	1
2	1A4A1	6010-0077	EXTRACTOR, SOLDER, SX-70	17794	1
3	1A4A2	1309-0028	VISIFILTER II	17794	1
4	1A4MP1	1342-0015-08	TUBING, SILICONE, BLACK, .125 ID, 54" LG.	17794	1
		MS 70E00B		ZZZ	
5	1A4MP2	1325-0003-07	TUBING, PVC, CLEAR, .125 ID, 1" LG.	17794	2
6	1A4MP3	1259-0087	DISCONNECT, QUICK CHANGE HOSE MT., MALE	17794	2
7	1A4MP4	1259-0086	DISCONNECT, QUICK CHANGE HOSE MT., FEMALE	17794	1
8	1A4MP5	1211-0036	CLAMP, HOSE, REUSABLE	17794	1
		5000-2		90326	
9	1A4MP6	1321-0085-01	HOLDER, WIRE TO TUBE	17794	6
10	1A4MP7	1360-0083-P1	ADAPTER, TIP, 1/8" TIP, 3/16" SHANK	17794	1
11	1A4MP8	1127-0002	BRUSH, BRISTLE, TUBE CLEANING	17794	1
12	1A4MP9	1100-0206	TOOL, TIP	17794	1
13	1A4MP10	1127-0015	CLEANER, TIP, .021 DIA.	17794	1
14	1A4MP11	1127-0016	CLEANER, TIP, .033 DIA.	17794	1
15	1A4MP12	1127-0017	CLEANER, TIP, .053 DIA.	17794	1
16	1A4MP13	1127-0014	BRUSH, WIRE, 3/16" DIA., 6" LG.	17794	1
17	1A4MP14	1127-0006	BRUSH, WIRE, 1/8" DIA., 6" LG	17794	1
18	1A4MP15	1121-0342	TIP, SX, 3/16 SHK., .040 ID	17794	1
19	1A4MP16	1121-0369	TIP, SX, FLO, 3/16" SHANK, 3/16" HEAD	17794	1
20	1A4MP17	1121-0367	TIP, SX, 3/16" SHANK, .030 ID	17794	1
21	1A4MP18	1121-0368	TIP, SX, 3/16" SHANK, .060 ID	17794	1
22	1A4MP19	1121-0262	TIP, SX, MICRO, BENT, .040 ID	17794	1
	1A4MP20	6993-0136	KIT, CABLE MARKERS, C TYPE	17794	1

CR 2910-0077

REVISIONS		DATE	BY	CHKD BY
A	AUTORIZATION	02/23/78	CC 3153	CC 3153
B	CC 3153	02/23/78	CC 3153	CC 3153
C	CC 3153	02/23/78	CC 3153	CC 3153
D	CC 3153	02/23/78	CC 3153	CC 3153



- WHITE
- RED
- BROWN
- BLUE
- GREEN
- PURPLE
- YELLOW
- ORANGE

PROPRIETARY ASSEMBLY DRAWING

<p>THIS DRAWING IS THE PROPERTY OF DAGE ELECTRONIC EQUIPMENT CO., INC. IT IS TO BE USED FOR THE MANUFACTURE OF THE EXTRACTOR, SOLDER SX-70 W/ACCESSORIES. IT IS NOT TO BE REPRODUCED OR COPIED IN ANY MANNER WITHOUT THE WRITTEN PERMISSION OF DAGE ELECTRONIC EQUIPMENT CO., INC.</p>	
<p>DAGE ELECTRONIC EQUIPMENT CO., INC. 10000 WILSON BLVD., SUITE 100 DALLAS, TEXAS 75243</p>	
<p>EXTRACTOR, SOLDER SX-70 W/ACCESSORIES</p>	
FIG. NO.	DWG. NO.
17794	R6910-0077
REV. SCALE 1/1	DATE 1 OF 1
1/1	1/1

69



PROPRIETARY PARTS LIST

The data in this proposal shall not be used or disclosed, except for evaluation purposes, provided that if a contract is awarded to this submitter as a result of or in connection with the submission of this proposal, the Government shall have the right to use or disclose this technical data to the extent provided in the contract. This restriction does not limit the Government's right to use or disclose any technical data which is not proprietary to the submitter or is obtained from another source without restriction.

DWG. NO: R6010-0077

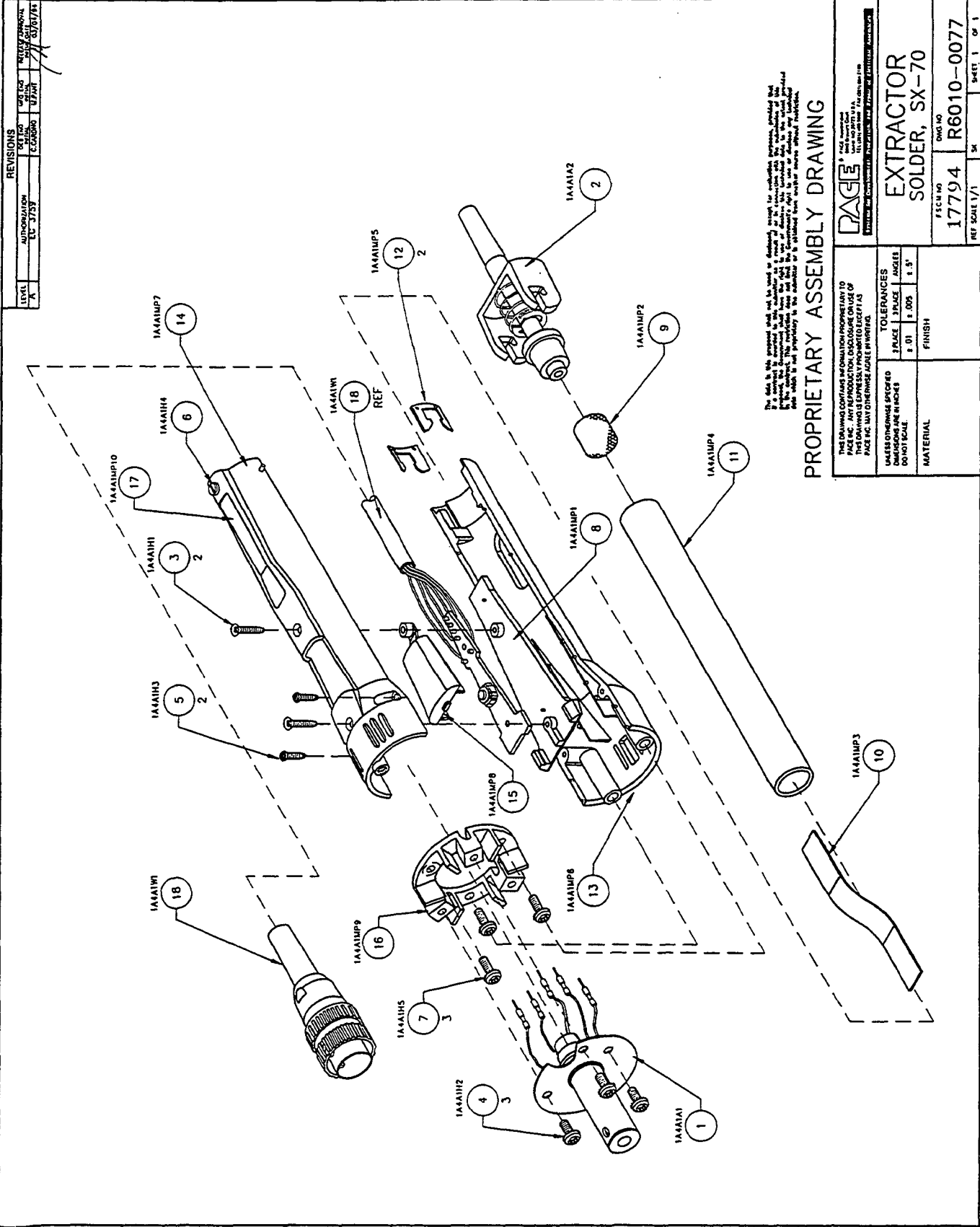
REV: A EC NO: 3759 DATE: 3/4/94
 AMENDED P/L FORMAT: 8/23/94

APP: *NA*

TITLE: EXTRACTOR, SOLDER, SX-70

INDEX	REFERENCE NO.	PART NO.	DESCRIPTION	FSCM	QTY
REF					REF
1	1A4A1	6010-0077	EXTRACTOR, SOLDER, SX-70	17794	1
2	1A4A1A1	6010-0080	HEATER ASSY, SX-70	17794	1
3	1A4A1A2	4010-0101	REAR SEAL ASSY	17794	1
4	1A4A1H1	1405-0527	SCREW, #2-28 X 7/16" LG. FLAT HD. PHIL.	17794	2
		GENERIC		ZZZ	
5	1A4A1H2	1405-0395	SCREW, #4-40 X 1/4" LG. PAN HD. W/LOCKWASHER	17794	3
		GENERIC		ZZZ	
6	1A4A1H3	1348-0197	SCREW, #2-28 X 9/32" LG. FIL. HD. PHIL.	17794	2
		GENERIC		ZZZ	
7	1A4A1H4	1405-0342	SCREW, SET, WHITE NYLON #8-32 X 1/8" LG.	17794	1
		GENERIC		ZZZ	
8	1A4A1H5	1405-0534	SCREW, #4-40 X 5/16" LG. PAN HD. W/LOCKWASHER	17794	3
		GENERIC		ZZZ	
9	1A4A1MP1	1313-0115	GUIDE COVER, PCB COVER	17794	1
10	1A4A1MP2	1309-0018	FILTER	17794	1
11	1A4A1MP3	4010-0033	BAFFLE, S	17794	1
12	1A4A1MP4	1265-0009	GLASS CHAMBER	17794	1
13	1A4A1MP5	1209-0006	CLIP, SPRING	17794	2
14	1A4A1MP6	1119-0047	HANDLE, BOTTOM HALF	17794	1
15	1A4A1MP7	1119-0048	HANDLE, TOP HALF	17794	1
16	1A4A1MP8	1119-0064	BUTTON, EXTRACTOR	17794	1
17	1A4A1MP9	1360-0005	DISSIPATOR	17794	1
18	1A4A1MP10	1351-0496	LABEL, SODR-X-TRACTOR	17794	1
	1A4A1W1	4010-0098	CORD/SWITCH ASSY	17794	1

LEVEL	REVISIONS	DATE	BY	APPROVED
A	1	07/01/81	W. J.
	2
	3
	4



PROPRIETARY ASSEMBLY DRAWING

<p>THIS DRAWING CONTAINS INFORMATION PROPRIETARY TO PACIFIC ELECTRIC COMPANY ANY REPRODUCTION, DISCLOSURE OR USE OF THIS DRAWING IS EXPRESSLY PROHIBITED EXCEPT AS AUTHORIZED BY PACIFIC ELECTRIC COMPANY</p>	
<p>EXTRACTOR SOLDER, SX-70</p>	
FSCM NO.	DWG NO.
17794	R6010-0077
REF SCALE 1/1	3/4
<p>8010-0077 SHEET 1 OF 1</p>	

TOLERANCES	
FINISH	
PLACES	ANGLES
±.01	±.5°

UNLESS OTHERWISE SPECIFIED
 DIMENSIONS ARE IN INCHES
 DO NOT SCALE

A B C D

4 3 2 1



PROPRIETARY PARTS LIST

The data in this proposal shall not be used or disclosed, except for evaluation purposes, provided that if a contract is awarded to this submitter, as a result of or in connection with the submission of this proposal, the Government shall have the right to use or disclose this technical data to the extent provided in the contract. This restriction does not limit the Government's right to use or disclose any technical data which is not proprietary to the submitter or is obtained from another source without restriction.

DWG. NO: R6010-0080

REV: A EC NO: 3759 DATE: 3/4/94
AMENDED P/L FORMAT: 8/23/94

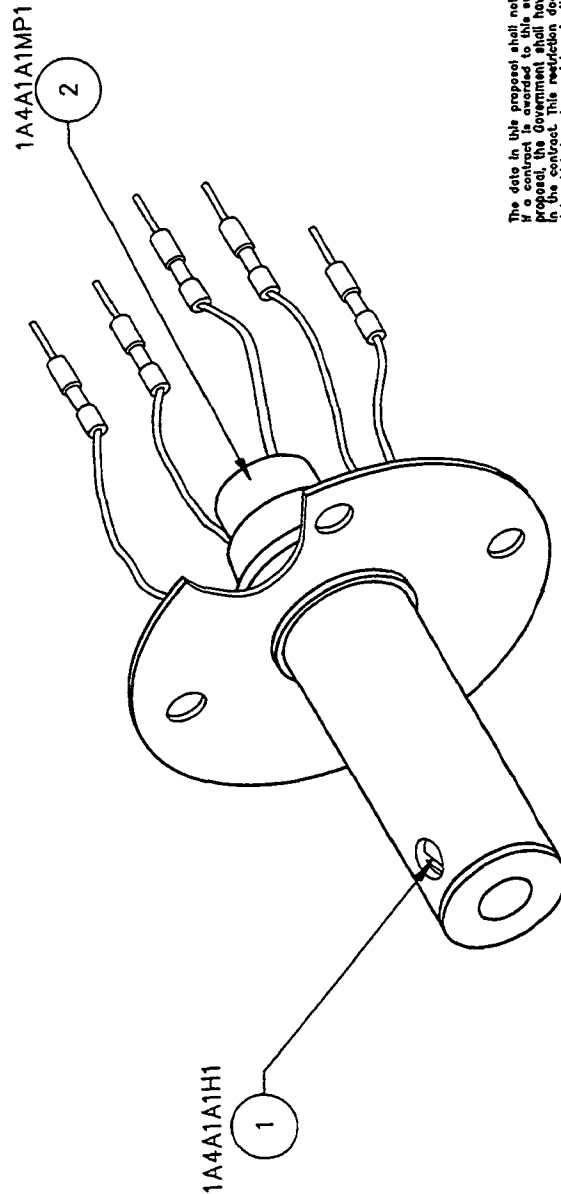
APP:

TITLE: HEATER ASSY, SX-70

INDEX	REFERENCE NO.	PART NO.	DESCRIPTION	FSCM	QTY
REF	1A4A1A1	6010-0080	HEATER ASSY, SX-70	17794	REF
1	1A4A1A1H1	1348-0547	SCREW, SET #8-32 X .125" LG.	17794	1
		GENERIC		ZZZ	
2	1A4A1A1MP1	1213-0033	SEAL, FRONT	17794	1

DWG NO. **B K6610-0080** A

REVISIONS			
LEVEL	AUTHORIZATION	DES. ENG. INITIAL	RELEASE APPROVAL INITIAL/DATE
A	EC 3759	G.CARDNO	M.PANT 03/04/94



The data in this proposal shall not be used or disclosed, except for evaluation purposes, provided that if a contract is awarded to this submitter as a result of or in connection with the submission of this proposal, the Government shall have the right to use or disclose this technical data to the extent provided in the contract. This restriction does not limit the Government's right to use or disclose any technical data which is not proprietary to the submitter or is obtained from another source without restriction.

PROPRIETARY ASSEMBLY DRAWING

THIS DRAWING CONTAINS INFORMATION PROPRIETARY TO PACE INC.. ANY REPRODUCTION, DISCLOSURE OR USE OF THIS DRAWING IS EXPRESSLY PROHIBITED EXCEPT AS PACE INC. MAY OTHERWISE AGREE IN WRITING.

PAGE INC. Incorporated
4401 S. Court
Lanham, MD 20723, U.S.A.
TEL (301) 460-9660 FAX (301) 604-2160
Systems for Development, Production, and Repair of Jet Engine Assemblies

UNLESS OTHERWISE SPECIFIED DIMENSIONS ARE IN INCHES. DO NOT SCALE.	TOLERANCES	
	2 PLACE	3 PLACE
	± .01	± .005
MATERIAL	FINISH	
	1. P	

HEATER ASSY.
SX-70

F.S.C.M. NO. **17794** DWG. NO. **R6010-0080**

REF. SCALE **2x** SK SHEET **1** OF **1**



PROPRIETARY PARTS LIST

The data in this proposal shall not be used or disclosed, except for evaluation purposes, provided that if a contract is awarded to this submitter as a result of or in connection with the submission of this proposal, the Government shall have the right to use or disclose this technical data to the extent provided in the contract. This restriction does not limit the Government's right to use or disclose any technical data which is not proprietary to the submitter or is obtained from another source without restriction.

DWG. NO: R4010-0101

REV: A EC NO: 3759 DATE: 3/4/94
AMENDED P/L FORMAT: 8/23/94

APP: *M*

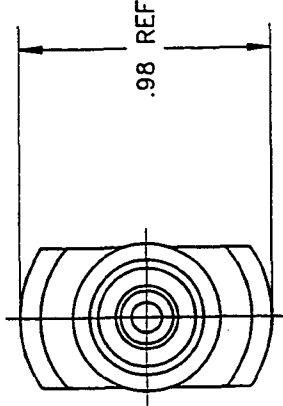
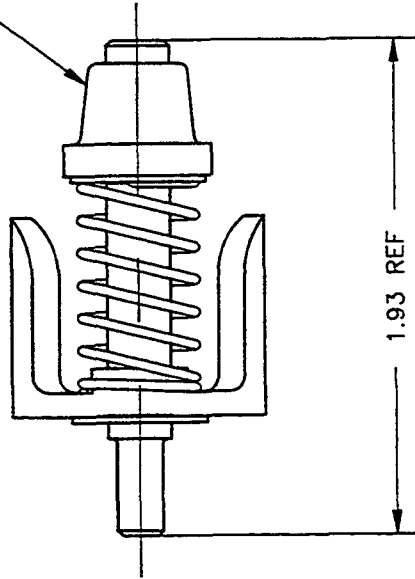
TITLE: REAR SEAL ASSY

INDEX	REFERENCE NO.	PART NO.	DESCRIPTION	FSCM	QTY
REF	1A4A1A2	4010-0101	REAR SEAL ASSY	17794	REF
	1A6A1A2				
	1A7A1A2				
1	1A4A1A2MP1	1213-0001	SEAL, REAR	17794	1
	1A6A1A2MP1				
	1A7A1A2MP1				

DWG NO.
B

REVISIONS			
LEVEL	AUTHORIZATION	DES. ENO.	REVISED APPROVAL
A	EC 3759	C. CARDNO	M. PANT 03/04/94

1A4A1A2MP1



The data in this proposal shall not be used or disclosed, except for engineering purposes, provided that it is not used to the detriment of the submitter as a result of or in connection with the submission of this proposal. The Government shall have the right to use or disclose this technical data to the extent provided in the contract. This restriction does not limit the Government's right to use or disclose any technical data which is not proprietary to the submitter or is obtained from another source without restriction.

PROPRIETARY ASSEMBLY DRAWING

THIS DRAWING CONTAINS INFORMATION PROPRIETARY TO PACE INC. ANY REPRODUCTION, DISCLOSURE OR USE OF THIS DRAWING IS EXPRESSLY PROHIBITED EXCEPT AS PACE INC. MAY OTHERWISE AGREE IN WRITING.

PAGE PACE, Incorporated
9803 Bennett Court
Lanar, MD 20723, U.S.A.
Tel: (301) 450-2600 Fax: (301) 450-2100
Systems for Disengagement, Production, and Repair of Electronic Assemblies

UNLESS OTHERWISE SPECIFIED DIMENSIONS ARE IN INCHES. DO NOT SCALE.	TOLERANCES	
	2 PLACE	3 PLACE
	± .01	± .005
MATERIAL	FINISH	

REAR SEAL ASS'Y

F.S.C.M. NO.	DWG NO.
17794	R4010-0101
REF. SCALE 2/1	SK
SHEET 1	OF 1

- 1A4A1A2 4010-0101
- 1A6A1A2 4010-0101
- 1A7A1A2 4010-0101



PROPRIETARY PARTS LIST

The data in this proposal shall not be used or disclosed, except for evaluation purposes, provided that if a contract is awarded to this submitter as a result of or in connection with the submission of this proposal, the Government shall have the right to use or disclose this technical data to the extent provided in the contract. This restriction does not limit the Government's right to use or disclose any technical data which is not proprietary to the submitter or is obtained from another source without restriction.

DWG. NO: R4010-0098

REV: A EC NO: 3759 DATE: 3/4/94
AMENDED P/L FORMAT: 8/23/94

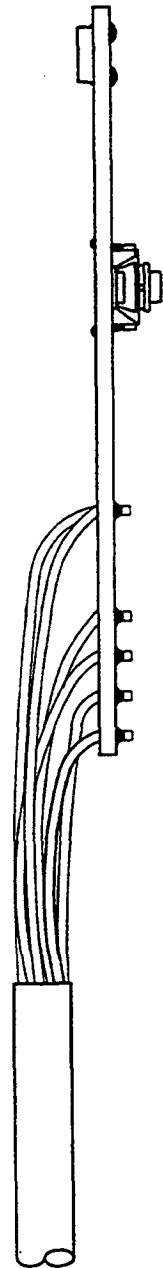
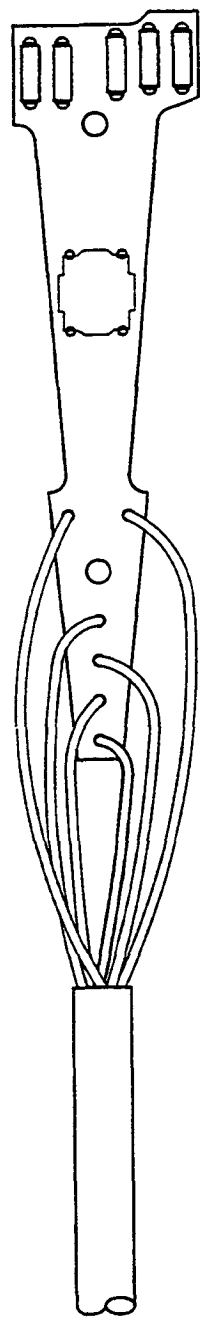
APP: *M*

TITLE: CORD/SWITCH ASSY

INDEX	REFERENCE NO.	PART NO.	DESCRIPTION	FSCM	QTY
REF	1A4A1W1 1A6A1W1 1A7A1W1	4010-0098	CORD/SWITCH ASSY	17794	REF

DWG. NO. **BR4010-0098** A


REVISIONS		DES. ENG. INITIAL	MFG. ENG. INITIAL	RELEASE APPROVAL INITIAL/DATE
LEVEL	AUTHORIZATION	C. CARONO	M. PANT	3/7/84
	EC 3759			



NOTE: OVERALL LENGTH 59.25 REF

The data in this proposal shall not be used or disclosed, except for evaluation purposes, provided that the contractor agrees to hold the data in confidence. The contractor shall have the right to use or disclose this technical data to the extent provided in the contract. This restriction does not limit the Government's right to use or disclose any technical data which is not proprietary to the submitter or is obtained from another source without restriction.

PROPRIETARY ASSEMBLY DRAWING

THIS DRAWING CONTAINS INFORMATION PROPRIETARY TO PACE INC. ANY REPRODUCTION, DISCLOSURE OR USE OF THIS DRAWING IS EXPRESSLY PROHIBITED EXCEPT AS PACE INC. MAY OTHERWISE AGREE IN WRITING.		 <small>PACE, Incorporated 14000 W. 10th Street Overland Park, MO 66202, U.S.A. TEL (913) 492-9650 FAX (913) 494-2160</small>	
TOLERANCES 2 PLACE 3 PLACE ANGLES		CORD AND SWITCH ASSEMBLY	
UNLESS OTHERWISE SPECIFIED DIMENSIONS ARE IN INCHES. DO NOT SCALE.		DWG. NO. R4010-0098	
MATERIAL NONE		F.S.C.M. NO. 17794	
FINISH NONE		DWG. NO. R4010-0098	
REF. SCALE 1/2"		SK -- SHEET 1 OF 1	
		1A4A1W1 4010-0098	
		1A6A1W1 4010-0098	
		1A7A1W1 4010-0098	



PROPRIETARY PARTS LIST

The data in this proposal shall not be used or disclosed, except for evaluation purposes, provided that if a contract is awarded to this submitter as a result of or in connection with the submission of this proposal, the Government shall have the right to use or disclose this technical data to the extent provided in the contract. This restriction does not limit the Government's right to use or disclose any technical data which is not proprietary to the submitter or is obtained from another source without restriction.

DWG. NO: R1309-0028

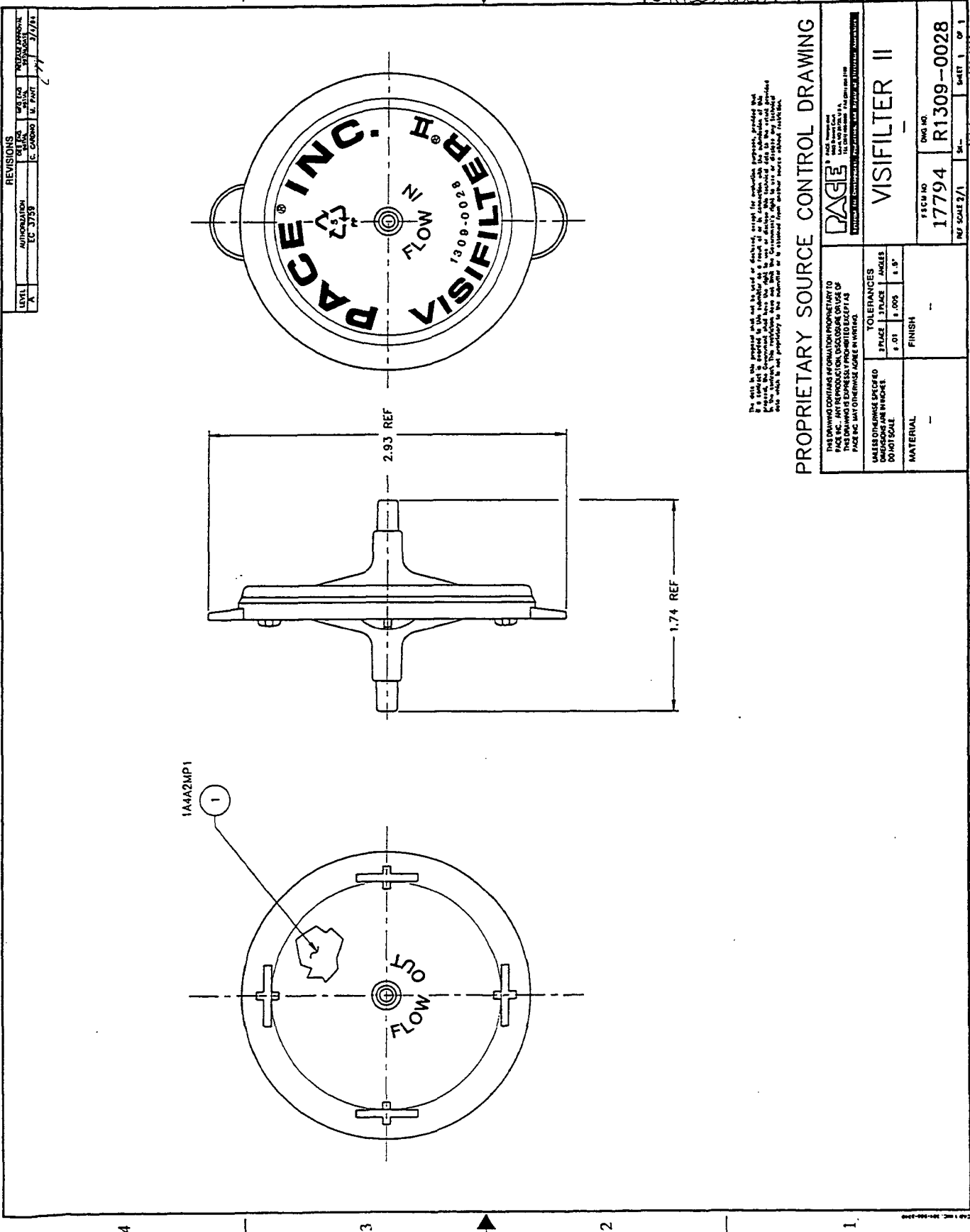
REV: A EC NO: 3759 DATE: 3/4/94
AMENDED P/L FORMAT: 8/23/94

APP: *M*

TITLE: VISIFILTER II

INDEX	REFERENCE NO.	PART NO.	DESCRIPTION	FSCM	QTY
REF	1A4A2	1309-0028	VISIFILTER II	17794	REF
	1A7MP5				
1	1A4A2MP1	1309-0027	FILTER	17794	1
	1A7MP5MP1				

CR 1309-0028 A



LEVEL	DESCRIPTION	DATE	BY	CHKD	APPROVAL
A	EC 3758				

REVISIONS	
1	INITIALS
2	DATE

The data in this program shall not be used or distributed, except for emergency purposes, without the written consent of the manufacturer. The manufacturer shall not be held responsible for any damage or injury resulting from the use of this program. The manufacturer shall not be held responsible for any damage or injury resulting from the use of this program. The manufacturer shall not be held responsible for any damage or injury resulting from the use of this program.

PROPRIETARY SOURCE CONTROL DRAWING

<p>THIS DRAWING CONTAINS INFORMATION PROPRIETARY TO DACE INC. ANY REPRODUCTION, UNLESS OTHERWISE SPECIFIED, IS PROHIBITED. THIS DRAWING IS THE PROPERTY OF DACE INC. AND IS NOT TO BE REPRODUCED OR TRANSMITTED IN ANY FORM OR BY ANY MEANS, ELECTRONIC OR MECHANICAL, INCLUDING PHOTOCOPYING, RECORDING, OR BY ANY INFORMATION STORAGE AND RETRIEVAL SYSTEM.</p>	
<p>DACE DACE INC. 1100-0028</p>	
<p>VISIFILTER II</p>	
<p>FSCM NO 17794</p>	<p>DWG NO R1309-0028</p>
<p>REV SCALE 2/1</p>	<p>SHEET 1 OF 1</p>
<p>DATE 11/1/88</p>	<p>BY 1100-0028</p>
<p>DESIGNER 1100-0028</p>	<p>APPROVER 1100-0028</p>
<p>SALES DIVERGENCE SPECIFIED DIMS IN INCHES</p>	<p>TOLERANCES FRACTIONAL DECIMALS INCHES ±.01 ±.005 ±.01</p>
<p>MATERIAL</p>	<p>FINISH</p>



PROPRIETARY PARTS LIST

The data in this proposal shall not be used or disclosed, except for evaluation purposes, provided that if a contract is awarded to this submitter as a result of or in connection with the submission of this proposal, the Government shall have the right to use or disclose this technical data to the extent provided in the contract. This restriction does not limit the Government's right to use or disclose any technical data which is not proprietary to the submitter or is obtained from another source without restriction.

DWG. NO: R1360-0083-P1

REV: A EC NO: 3759 DATE: 3/4/94 APP: *M*
AMENDED P/L FORMAT: 8/23/94

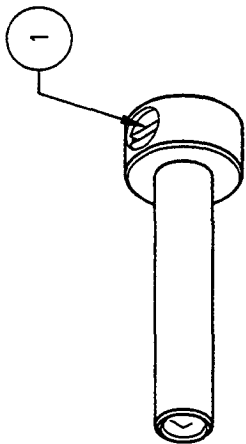
TITLE: ADAPTER, TIP, 1/8" TIP, 3/16" SHANK

INDEX	REFERENCE NO.	PART NO.	DESCRIPTION	FSCM	QTY
REF	1A4MP7	1360-0083-P1	ADAPTER, TIP, 1/8" TIP, 3/16" SHANK	17794	REF
1	1A4MP7H1	1348-0547	SCREW, SET, #8-32 X 1/8",	17794	1
		GENERIC		ZZZ	

DWG NO. **B R1360-0083-P1** A


REVISIONS		DES. ENG. INITIALS	DES. ENG. NAME	DATE	APPROVAL INITIALS	DATE
LEVEL	A	AUTHORIZATION	EC 3759			
					M. PAINT	03/04/84

1A4MP7H1



The data in this proposal shall not be used or disclosed, except for application purposes, provided that the contractor shall retain the right to use or disclose the technical data to the extent provided in the contract. This restriction does not limit the Government's right to use or disclose any technical data which is not proprietary to the submitter or is obtained from another source without restriction.

PROPRIETARY ASSEMBLY DRAWING

THIS DRAWING CONTAINS INFORMATION PROPRIETARY TO PACE INC. ANY REPRODUCTION, DISCLOSURE OR USE OF THIS DRAWING IS EXPRESSLY PROHIBITED EXCEPT AS PACE INC. MAY OTHERWISE AGREE IN WRITING.	 PACE, Incorporated 8888 Stevens Court Irvine, CA 92618 TEL: (714) 261-2000 FAX: (714) 261-2100		System for Development, Production, and Repair of Lifetime Assemblies	
	UNLESS OTHERWISE SPECIFIED DIMENSIONS ARE IN INCHES. DO NOT SCALE.	TOLERANCES 2 PLACE 3 PLACE ANGLES ± .01 ± .005 ± .5°	MATERIAL FINISH	
F.S.C.M. NO. 17794		DWG. NO. R1360-0083-P1		
REF. SCALE 2/1		SHEET 1 OF 1		1A4MP7



PROPRIETARY PARTS LIST

The data in this proposal shall not be used or disclosed, except for evaluation purposes, provided that if a contract is awarded to this submitter as a result of or in connection with the submission of this proposal, the Government shall have the right to use or disclose this technical data to the extent provided in the contract. This restriction does not limit the Government's right to use or disclose any technical data which is not proprietary to the submitter or is obtained from another source without restriction.

DWG. NO: R6925-0014

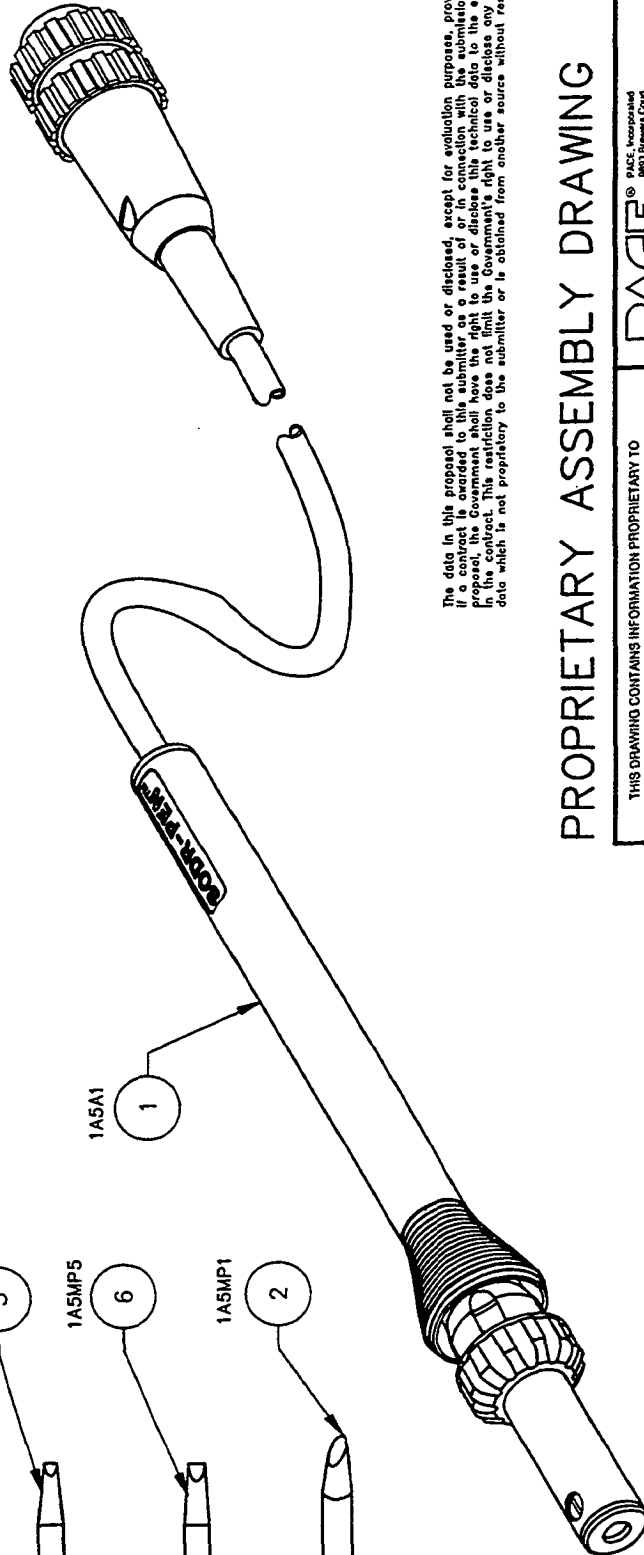
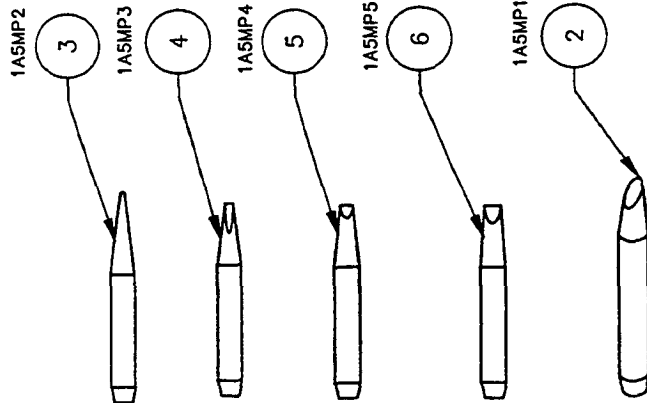
REV: A EC NO: 3759 DATE: 3/4/94 APP: *M*
AMENDED P/L FORMAT: 8/23/94

TITLE: SODR-PEN, 21V 48W, SP-2 W/ACCESSORIES

INDEX	REFERENCE NO.	PART NO.	DESCRIPTION	FSCM	QTY
REF	1A5	6925-0014	SODR-PEN, 21V 48W, SP-2 W/ACCESSORIES	17794	REF
1	1A5A1	6025-0014	SODR-PEN, 21V 48W, SP-2	17794	1
2	1A5MP1	1121-0406	TIP, SP, CHISEL, SINGLE SIDE	17794	1
3	1A5MP2	1121-0336	TIP, SP, 3/16" SHANK, 1/32" CONICAL	17794	1
4	1A5MP3	1121-0414	TIP, SP, 3/16" SHANK, 1/16" CHISEL HC	17794	1
5	1A5MP4	1121-0360	TIP, SP, 3/16" SHANK, 3/32" CHISEL	17794	1
6	1A5MP5	1121-0337	TIP, SP, 3/16" SHANK, 1/8" CHISEL	17794	1

DWG NO.
B

REVISIONS			
LEVEL	AUTHORIZATION	DES. ENO. INITIAL	RELEASE APPROVAL INITIAL/DATE
A	EC 3758	C.CARDNO	03/04/94



The data in this proposal shall not be used or disclosed, except for evaluation purposes, provided that if a contract is awarded to this submitter as a result of or in connection with the submission of this proposal, the Government shall have the right to use or disclose this technical data to the extent provided in the contract. This restriction does not limit the Government's right to use or disclose any technical data which is not proprietary to the submitter or is obtained from another source without restriction.

PROPRIETARY ASSEMBLY DRAWING

THIS DRAWING CONTAINS INFORMATION PROPRIETARY TO PACE INC.. ANY REPRODUCTION, DISCLOSURE OR USE OF THIS DRAWING IS EXPRESSLY PROHIBITED EXCEPT AS PACE INC. MAY OTHERWISE AGREE IN WRITING.		PACE <small>PACE Incorporated 10000 W. LAMAR BLVD. #20722 U.S.A. TEL: (501) 490-9450 FAX: (501) 490-2190 Systems for Development, Production, and Repair of Electronic Assemblies.</small>							
UNLESS OTHERWISE SPECIFIED DIMENSIONS ARE IN INCHES. DO NOT SCALE.	TOLERANCES <table border="1"> <tr> <th>2 PLACE</th> <th>3 PLACE</th> <th>ANGLES</th> </tr> <tr> <td>± .01</td> <td>± .005</td> <td>± .5°</td> </tr> </table>	2 PLACE	3 PLACE	ANGLES	± .01	± .005	± .5°	SODR-PEN, 21V 48W SP-2 W/ACCESSORIES	
2 PLACE	3 PLACE	ANGLES							
± .01	± .005	± .5°							
MATERIAL		F.S.C.M. NO. 17794	DWG. NO. R6925-0014						
REF. SCALE 1/1		SK	SHEET OF 1						



PROPRIETARY PARTS LIST

The data in this proposal shall not be used or disclosed, except for evaluation purposes, provided that if a contract is awarded to this submitter as a result of or in connection with the submission of this proposal, the Government shall have the right to use or disclose this technical data to the extent provided in the contract. This restriction does not limit the Government's right to use or disclose any technical data which is not proprietary to the submitter or is obtained from another source without restriction.

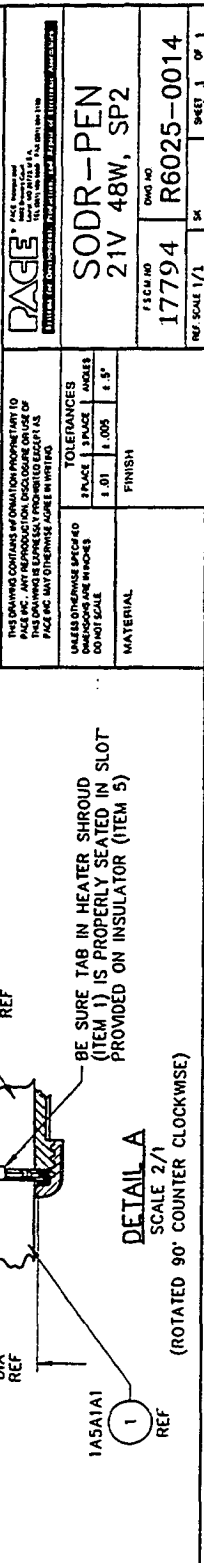
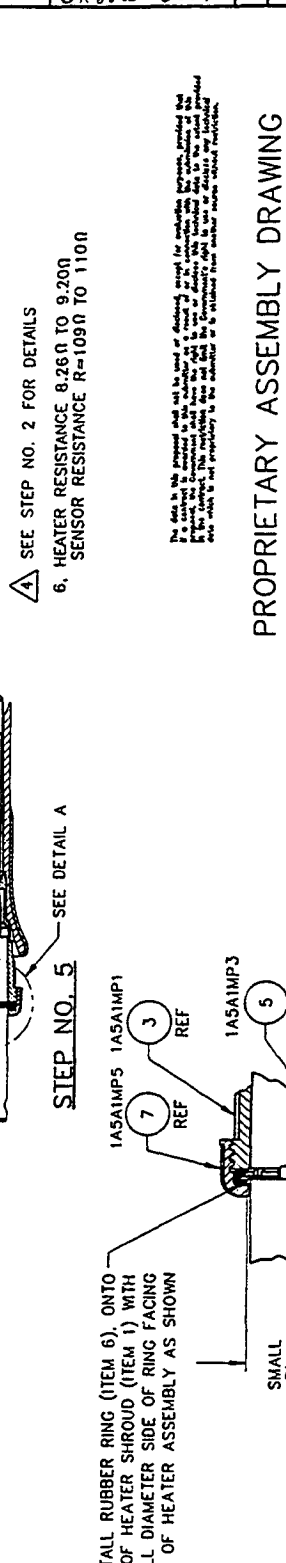
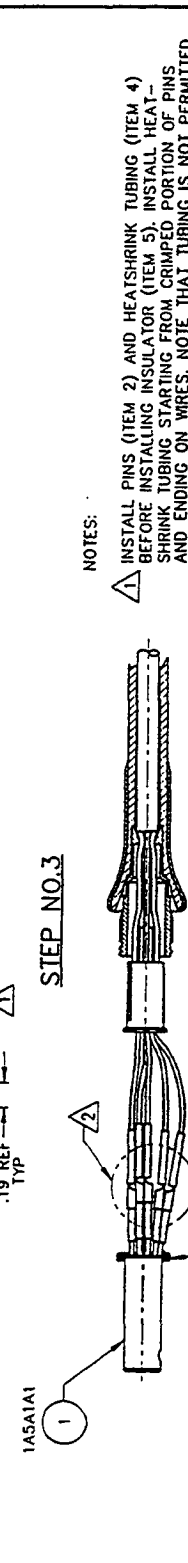
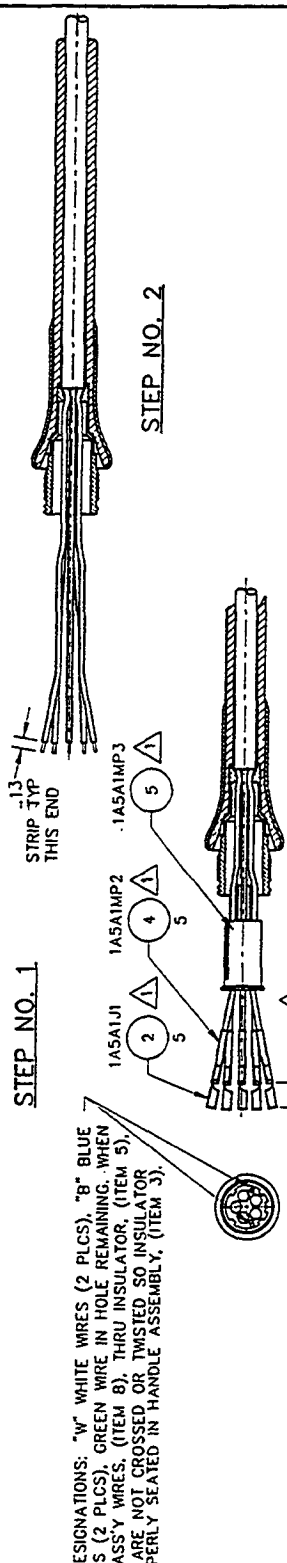
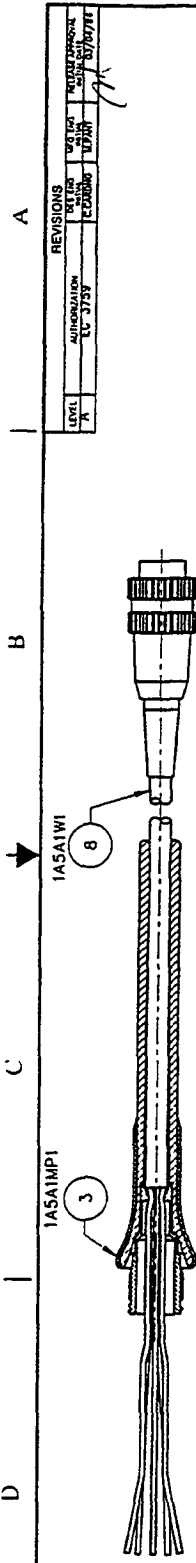
DWG. NO: R6025-0014

REV: A EC NO: 3759 DATE: 3/4/94
 AMENDED P/L FORMAT: 8/23/94

APP: 

TITLE: SODR-PEN, 21V 48W, SP-2

INDEX	REFERENCE NO.	PART NO.	DESCRIPTION	FSCM	QTY
REF					REF
1	1A5A1	6025-0014	SODR-PEN, 21V 48W, SP-2	17794	1
2	1A5A1A1 1A5A1J1	6010-0086 1207-0121 61622-1	HEATER ASSY, SP-2, 21VAC, 48W RECEPTACLE, WIRE, 20-24 AWG	17794 17794 09769	5
3	1A5A1MP1	1119-0086	HANDLE	17794	1
4	1A5A1MP2	1346-0069 ALPHA FIT 350-3/32	TUBING, SHRINK, 3/32" DIA., CLEAR(5 PCS@5/8"LG.EA)	17794 92194	3.13"
5	1A5A1MP3	1360-0093	INSULATOR	17794	1
6	1A5A1MP4	1213-0063	RING	17794	1
7	1A5A1MP5	1360-0094	NUT, RETAINING	17794	1
8	1A5A1W1	1332-0168	CABLE ASSY	17794	1



LEVEL	REVISIONS	DATE	BY	CHKD	APPROVED
1	ASSEMBLY	11/11/59	WJH	WJH	WJH

1A5A1M1
1A5A1W1
8

1A5A1M1
1A5A1W1
5

1A5A1M1
1A5A1W1
5

1A5A1M1
1A5A1W1
5

1A5A1M1
1A5A1W1
5

1A5A1M1
1A5A1W1
5

1A5A1M1
1A5A1W1
5

STEP NO. 1

STEP NO. 2

STEP NO. 3

STEP NO. 4

STEP NO. 5

DETAIL A

SCALE 2/1

(ROTATED 90° COUNTER CLOCKWISE)

BE SURE TAB IN HEATER SHROUD (ITEM 1) IS PROPERLY SEATED IN SLOT PROVIDED ON INSULATOR (ITEM 5)

INSTALL RUBBER RING (ITEM 6), ONTO THE LIP OF HEATER SHROUD (ITEM 1) WITH SMALL DIAMETER SIDE OF RING FACING TIP END OF HEATER ASSEMBLY AS SHOWN

SEE DETAIL A FOR INSTALLATION

SEE DETAIL A

SEE DETAIL A

SEE DETAIL A

SEE DETAIL A

SEE DETAIL A

SEE DETAIL A

SEE DETAIL A

SEE DETAIL A

SEE DETAIL A

SEE DETAIL A

SEE DETAIL A

SEE DETAIL A

SEE DETAIL A

SEE DETAIL A

SEE DETAIL A

SEE DETAIL A

SEE DETAIL A

SEE DETAIL A

SEE DETAIL A

SEE DETAIL A

SEE DETAIL A

SEE DETAIL A

SEE DETAIL A

SEE DETAIL A

SEE DETAIL A

SEE DETAIL A

SEE DETAIL A

SEE DETAIL A

SEE DETAIL A

SEE DETAIL A

SEE DETAIL A

SEE DETAIL A

SEE DETAIL A

SEE DETAIL A

SEE DETAIL A

SEE DETAIL A

SEE DETAIL A

SEE DETAIL A

SEE DETAIL A

SEE DETAIL A

SEE DETAIL A

SEE DETAIL A

SEE DETAIL A

SEE DETAIL A

SEE DETAIL A

SEE DETAIL A

SEE DETAIL A

SEE DETAIL A

SEE DETAIL A

SEE DETAIL A

SEE DETAIL A

SEE DETAIL A

SEE DETAIL A

SEE DETAIL A

SEE DETAIL A

SEE DETAIL A

SEE DETAIL A

SEE DETAIL A

SEE DETAIL A

SEE DETAIL A

SEE DETAIL A

SEE DETAIL A

SEE DETAIL A

SEE DETAIL A

SEE DETAIL A

SEE DETAIL A

SEE DETAIL A

SEE DETAIL A

SEE DETAIL A

SEE DETAIL A

SEE DETAIL A

SEE DETAIL A

SEE DETAIL A

SEE DETAIL A

SEE DETAIL A

SEE DETAIL A

SEE DETAIL A

SEE DETAIL A

SEE DETAIL A

SEE DETAIL A

SEE DETAIL A

SEE DETAIL A

SEE DETAIL A

SEE DETAIL A

SEE DETAIL A

SEE DETAIL A

SEE DETAIL A

SEE DETAIL A

SEE DETAIL A

SEE DETAIL A

SEE DETAIL A

SEE DETAIL A

SEE DETAIL A

SEE DETAIL A

SEE DETAIL A

SEE DETAIL A

SEE DETAIL A

SEE DETAIL A

SEE DETAIL A

SEE DETAIL A

SEE DETAIL A

SEE DETAIL A

SEE DETAIL A

SEE DETAIL A

SEE DETAIL A

SEE DETAIL A

SEE DETAIL A

SEE DETAIL A

SEE DETAIL A

SEE DETAIL A

SEE DETAIL A

SEE DETAIL A

SEE DETAIL A

SEE DETAIL A

SEE DETAIL A

SEE DETAIL A

SEE DETAIL A

SEE DETAIL A

SEE DETAIL A

SEE DETAIL A

SEE DETAIL A

SEE DETAIL A

SEE DETAIL A

SEE DETAIL A

SEE DETAIL A

SEE DETAIL A

SEE DETAIL A

SEE DETAIL A

SEE DETAIL A

SEE DETAIL A

SEE DETAIL A

SEE DETAIL A

SEE DETAIL A

SEE DETAIL A

SEE DETAIL A

SEE DETAIL A

SEE DETAIL A

SEE DETAIL A

SEE DETAIL A

SEE DETAIL A

SEE DETAIL A

SEE DETAIL A

SEE DETAIL A

SEE DETAIL A

SEE DETAIL A

SEE DETAIL A

SEE DETAIL A

SEE DETAIL A

SEE DETAIL A

SEE DETAIL A

SEE DETAIL A

SEE DETAIL A

SEE DETAIL A

SEE DETAIL A

SEE DETAIL A

SEE DETAIL A

SEE DETAIL A

SEE DETAIL A

SEE DETAIL A

SEE DETAIL A

SEE DETAIL A

SEE DETAIL A

SEE DETAIL A

SEE DETAIL A

SEE DETAIL A

SEE DETAIL A

SEE DETAIL A

SEE DETAIL A

SEE DETAIL A

SEE DETAIL A

SEE DETAIL A

SEE DETAIL A

SEE DETAIL A

SEE DETAIL A

SEE DETAIL A

SEE DETAIL A

SEE DETAIL A

SEE DETAIL A

SEE DETAIL A

SEE DETAIL A

SEE DETAIL A

SEE DETAIL A

SEE DETAIL A

SEE DETAIL A

SEE DETAIL A

SEE DETAIL A

SEE DETAIL A

SEE DETAIL A

SEE DETAIL A

SEE DETAIL A

SEE DETAIL A

SEE DETAIL A

SEE DETAIL A

SEE DETAIL A

SEE DETAIL A

SEE DETAIL A

SEE DETAIL A

SEE DETAIL A

SEE DETAIL A

SEE DETAIL A

SEE DETAIL A

SEE DETAIL A

SEE DETAIL A

SEE DETAIL A

SEE DETAIL A

SEE DETAIL A

SEE DETAIL A

SEE DETAIL A

SEE DETAIL A

SEE DETAIL A

SEE DETAIL A

SEE DETAIL A

SEE DETAIL A

SEE DETAIL A

SEE DETAIL A

SEE DETAIL A

SEE DETAIL A

SEE DETAIL A

SEE DETAIL A

SEE DETAIL A

SEE DETAIL A

SEE DETAIL A

SEE DETAIL A

SEE DETAIL A

SEE DETAIL A

SEE DETAIL A

SEE DETAIL A

SEE DETAIL A

SEE DETAIL A

SEE DETAIL A

SEE DETAIL A

SEE DETAIL A

SEE DETAIL A

SEE DETAIL A

SEE DETAIL A

SEE DETAIL A

SEE DETAIL A

SEE DETAIL A

SEE DETAIL A

SEE DETAIL A

SEE DETAIL A

SEE DETAIL A

SEE DETAIL A

SEE DETAIL A

SEE DETAIL A

SEE DETAIL A

SEE DETAIL A

SEE DETAIL A

SEE DETAIL A

SEE DETAIL A

SEE DETAIL A

SEE DETAIL A

SEE DETAIL A

SEE DETAIL A

SEE DETAIL A

SEE DETAIL A

SEE DETAIL A

SEE DETAIL A

SEE DETAIL A

SEE DETAIL A

SEE DETAIL A

SEE DETAIL A

SEE DETAIL A

SEE DETAIL A



PROPRIETARY PARTS LIST

The data in this proposal shall not be used or disclosed, except for evaluation purposes, provided that if a contract is awarded to this submitter as a result of or in connection with the submission of this proposal, the Government shall have the right to use or disclose this technical data to the extent provided in the contract. This restriction does not limit the Government's right to use or disclose any technical data which is not proprietary to the submitter or is obtained from another source without restriction.

DWG. NO: R6010-0086

REV: A EC NO: 3759 DATE: 3/4/94 APP: *MA*
AMENDED P/L FORMAT: 8/23/94

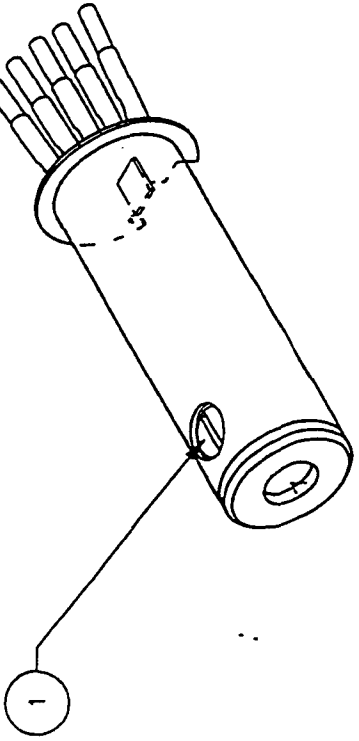
TITLE: HEATER ASSY, 21VAC, 48W, SP-2

INDEX	REFERENCE NO.	PART NO.	DESCRIPTION	FSCM	QTY
REF 1	1A5A1A1 1A5A1A1H1	6010-0086 1348-0547 GENERIC	HEATER ASSY, 21VAC, 48W, SP-2 SCREW, SET #8-32 X .125" LG.	17794 17794 ZZZ	REF 1

DWG NO. **BR6010-0086** A

REVISIONS			
LEVEL	AUTHORIZATION	DESIGNER INITIALS	DATE
A	EC 3759	C.CARDNO	M.PAIT 03/01/84

1A5A1A1H1



The data in this proposal shall not be used or disclosed except for evaluation purposes. Provided that a contract is awarded to the submitter as a result of or in connection with the submission of this proposal, the Government shall have the right to use or disclose the technical data to the extent provided in the contract. This restriction does not limit the Government's right to use or disclose any technical data which is not proprietary to the submitter or is obtained from another source without restriction.

PROPRIETARY ASSEMBLY DRAWING

THIS DRAWING CONTAINS INFORMATION PROPRIETARY TO PACE INC.. ANY REPRODUCTION, DISCLOSURE OR USE OF THIS DRAWING IS EXPRESSLY PROHIBITED EXCEPT AS PACE INC. MAY OTHERWISE AGREE IN WRITING.	PAGE <small>PACE, Incorporated 8625 Stevens Court Dallas, Texas 75248 TEL (214) 490-1400 FAX (214) 490-3100</small>		SYSTEMS for Interdisciplinary Production and Repair of Equipment - Annuity	
	HEATER ASSY. SP-2,21VAC,48W		DWG. NO. R6010-0086	
UNLESS OTHERWISE SPECIFIED DIMENSIONS ARE IN INCHES. DO NOT SCALE.	TOLERANCES 2 PLACE 3 PLACE ANGLES $\pm .01$ $\pm .005$ $\pm .5^\circ$		F.S.C.M. NO. 17794	DWG. NO. R6010-0086
MATERIAL	FINISH		REF. SCALE 2/1	SK
			SHEET 1 OF 1	1A5A1A1



PROPRIETARY PARTS LIST

The data in this proposal shall not be used or disclosed, except for evaluation purposes, provided that if a contract is awarded to this submitter as a result of or in connection with the submission of this proposal, the Government shall have the right to use or disclose this technical data to the extent provided in the contract. This restriction does not limit the Government's right to use or disclose any technical data which is not proprietary to the submitter or is obtained from another source without restriction.

DWG. NO: R7923-0002

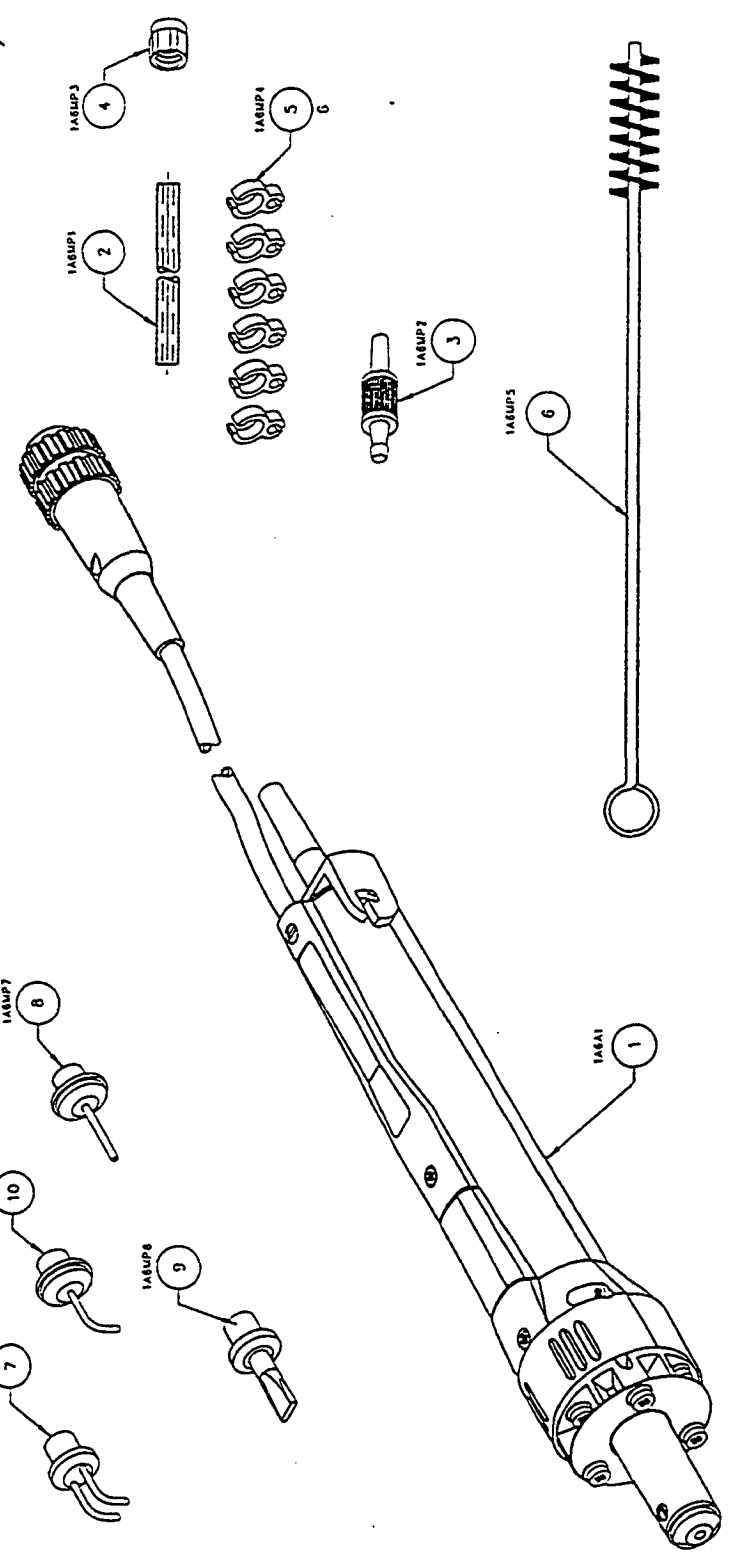
REV: A EC NO: 3759 DATE: 3/4/94 APP: *M*
 B EC NO: 4366 DATE: 5/21/96

TITLE: THERMOJET, MINI, TJ-70

INDEX	REFERENCE NO.	PART NO.	DESCRIPTION	FSCM	QTY
REF	1A6	7923-0002	THERMOJET, MINI, TJ-70	17794	REF
1	1A6A1	7023-0002	THERMOJET, MINI, TJ 70	17794	1
2	1A6MP1	1342-0015-08	TUBING, SILICONE, BLACK, .125 ID, 54" LG.	17794	1
		MS 70E008		ZZZ	
3	1A6MP2	1259-0087	DISCONNECT, QUICK CHANGE HOSE MT., MALE	17794	1
4	1A6MP3	1211-0036	CLAMP, HOSE, REUSABLE	17794	1
		5000-2		90326	
5	1A6MP4	1321-0085-01	HOLDER, WIRE TO TUBE	17794	6
6	1A6MP5	1127-0002	BRUSH, BRISTLE, TUBE CLEANING	17794	1
7	1A6MP6	1121-0330-P1	TIP, TJ, BENT, DBL, .17, SOIC	17794	1
8	1A6MP7	1121-0366-P1	TIP, TJ, SINGLE, STR	17794	1
9	1A6MP8	1121-0371-P1	TIP, TJ, FLAT END, .24 X .074	17794	1
10	1A6MP9	1121-0338-P1	TIP, TJ, SINGLE POINT	17794	1

67-1723-0002 1D

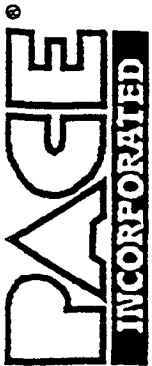
REVISIONS		DATE	BY	REVISION
A	AUTHORIZATION	EC 2/28	C. CARON	INITIALS
B	EC 2/28	C. CARON	M. PANT	DATE



This drawing is the property of the U.S. Government and is to be controlled as such. It is to be used for the production of parts and assemblies only. It is not to be used for the production of parts and assemblies for other than the original equipment. It is to be used for the production of parts and assemblies for other than the original equipment. It is to be used for the production of parts and assemblies for other than the original equipment.

PROPRIETARY ASSEMBLY DRAWING

THIS DRAWING CONTAINS INFORMATION PROPRIETARY TO THE U.S. GOVERNMENT AND IS TO BE CONTROLLED AS SUCH. IT IS TO BE USED FOR THE PRODUCTION OF PARTS AND ASSEMBLIES ONLY. IT IS NOT TO BE USED FOR THE PRODUCTION OF PARTS AND ASSEMBLIES FOR OTHER THAN THE ORIGINAL EQUIPMENT.		PAGE 1 OF 1
TOLERANCES UNLESS OTHERWISE SPECIFIED DIMENSIONS ARE IN INCHES DECIMALS ± .005 FRACTIONS ± .015 ANGLES ± 1°		THERMOJET MINI, TJ-70
MATERIAL -	FINISH -	FILE NO 17794
SCALE AS SHOWN		DWG NO R7923-0002
DATE 1/28/68		SHEET 1 OF 1



PROPRIETARY PARTS LIST

The data in this proposal shall not be used or disclosed, except for evaluation purposes, provided that if a contract is awarded to this submitter as a result of or in connection with the submission of this proposal, the Government shall have the right to use or disclose this technical data to the extent provided in the contract. This restriction does not limit the Government's right to use or disclose any technical data which is not proprietary to the submitter or is obtained from another source without restriction.

DWG. NO: R7023-0002

REV: A EC NO: 3759 DATE: 3/4/94 APP: *M*
 AMENDED P/L FORMAT: 8/23/94

TITLE: THERMOJET, MINI, TJ 70

INDEX	REFERENCE NO.	PART NO.	DESCRIPTION	FSCM	QTY
REF					REF
1	1A6A1	7023-0002	THERMOJET, MINI, TJ 70	17794	1
2	1A6A1A1	6010-0084	HEATER ASSY, TJ-70	.17794	1
3	1A6A1A2	4010-0101	REAR SEAL ASSY	17794	2
4	1A6A1H1	1348-0197	SCREW, #2-28 X 9/32" FIL. HD. PHIL.	17794	2
		GENERIC		ZZZ	
5	1A6A1H2	1405-0527	SCREW, #2-28 X 7/16" FLAT HD. PHIL.	17794	2
		GENERIC		ZZZ	
6	1A6A1H3	1405-0395	SCREW, #4-40 X 1/4" LG. PAN HD. W/LOCKWASHER	17794	3
		GENERIC		ZZZ	
7	1A6A1H4	1405-0534	SCREW, #4-40 X 5/16" LG. PAN HD. W/LOCKWASHER	17794	3
		GENERIC		ZZZ	
8	1A6A1H5	1405-0342	SCREW, SET WHITE NYLON #8-32 X 1/8" LG.	17794	1
		GENERIC		ZZZ	
9	1A6A1MP1	1119-0048	HANDLE, TOP HALF	17794	1
10	1A6A1MP2	1119-0047	HANDLE, BOTTOM HALF	17794	1
11	1A6A1MP3	1313-0115	GUIDE, COVER, PCB	17794	1
12	1A6A1MP4	1119-0064	BUTTON	17794	1
13	1A6A1MP5	1344-0060	CHAMBER, PRESSURE	17794	1
14	1A6A1MP6	1209-0006	CLIP, SPRING	17794	2
15	1A6A1MP7	1360-0005	DISSIPATOR	17794	1
16	1A6A1MP8	1351-0526	LABEL, MINI THERMOJET	17794	1
	1A6A1W1	4010-0098	CORD/SWITCH ASSY	17794	1

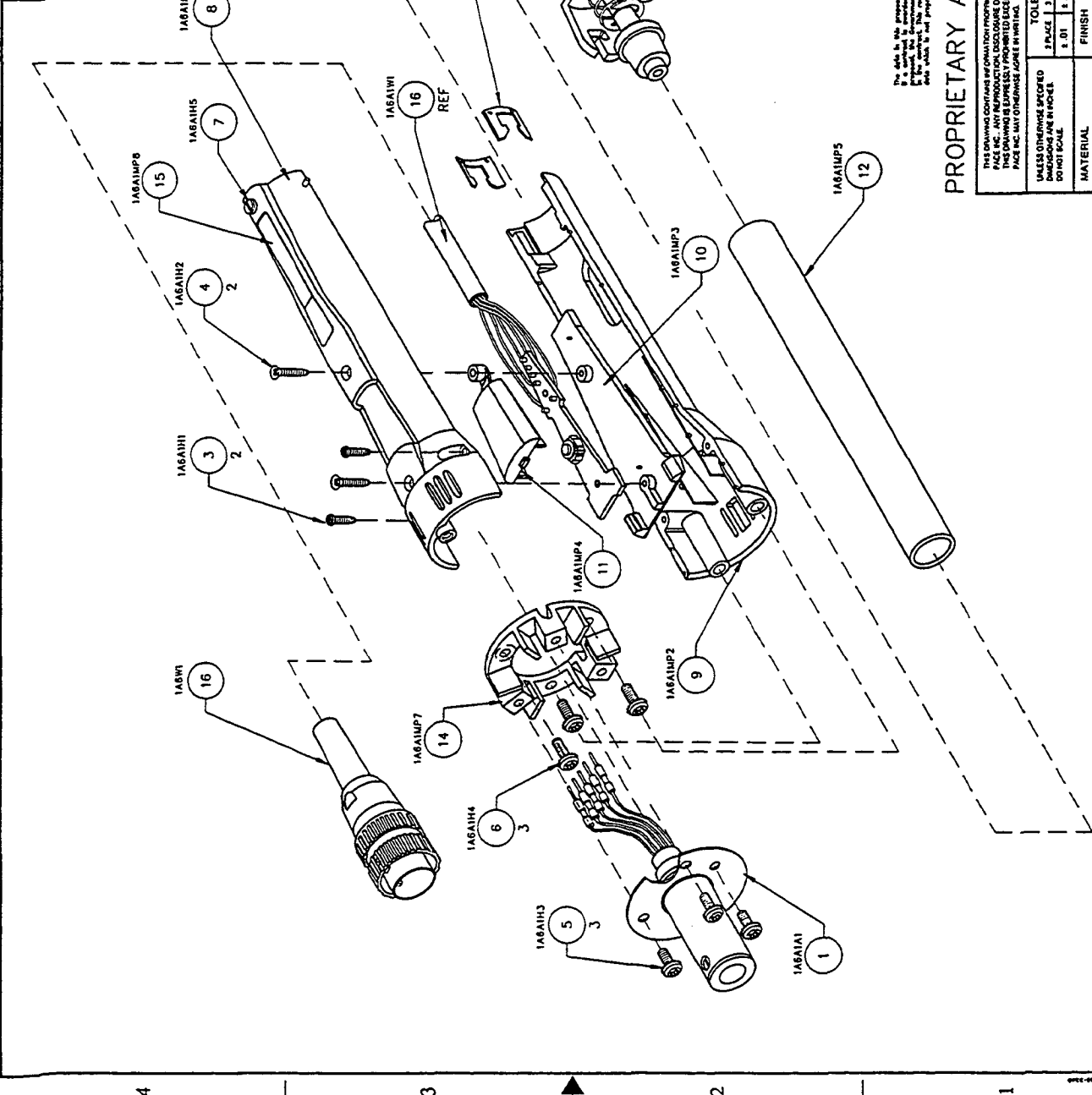
A

B

C

D

REVISIONS		DATE	BY	APPROVED
LEVEL	A	EC 3753	C. CARSON	W. HUNT



DWG NO. C R 7023-0002 A

THIS DRAWING IS THE PROPERTY OF THERMOJET INC. IT IS TO BE USED FOR THE MANUFACTURE OF THERMOJET PRODUCTS ONLY. IT IS NOT TO BE REPRODUCED OR COPIED IN ANY MANNER WITHOUT THE WRITTEN PERMISSION OF THERMOJET INC. ANY REPRODUCTION OR USE OF THIS DRAWING IS EXPRESSLY PROHIBITED EXCEPT AS AUTHORIZED BY THERMOJET INC.

PROPRIETARY ASSEMBLY DRAWING

<p>PAGE PART NUMBER: 17794 THERMOJET INC. 7400 W. 11th St. Tulsa, Oklahoma 74116 TEL: (918) 438-1111 FAX: (918) 438-1112</p>		<p>THERMOJET MINI, TJ 70</p>		<p>DWG NO. R7023-0002</p>	
<p>THIS DRAWING CONTAINS INFORMATION PROPRIETARY TO THERMOJET INC. ANY REPRODUCTION, DISCLOSURE OR USE OF THIS DRAWING IS EXPRESSLY PROHIBITED EXCEPT AS AUTHORIZED BY THERMOJET INC.</p>		<p>FINISH</p>		<p>REF SCALE 1/1</p>	
<p>UNLESS OTHERWISE SPECIFIED DIMENSIONS ARE IN INCHES DO NOT SCALE</p>		<p>FINISH</p>		<p>SHEET 1 OF 1</p>	
<p>TOLERANCES</p>		<p>FINISH</p>		<p>1033-0003</p>	
±.01	±.005	ANGLES	±.5°		
±.01	±.005	SPACES	±.5°		



PROPRIETARY PARTS LIST

The data in this proposal shall not be used or disclosed, except for evaluation purposes, provided that if a contract is awarded to this submitter as a result of or in connection with the submission of this proposal, the Government shall have the right to use or disclose this technical data to the extent provided in the contract. This restriction does not limit the Government's right to use or disclose any technical data which is not proprietary to the submitter or is obtained from another source without restriction.

DWG. NO: R6010-0084

REV: A EC NO: 3759 DATE: 3/4/94
AMENDED P/L FORMAT: 8/23/94

APP: *MA*

TITLE: HEATER ASSY, TJ-70

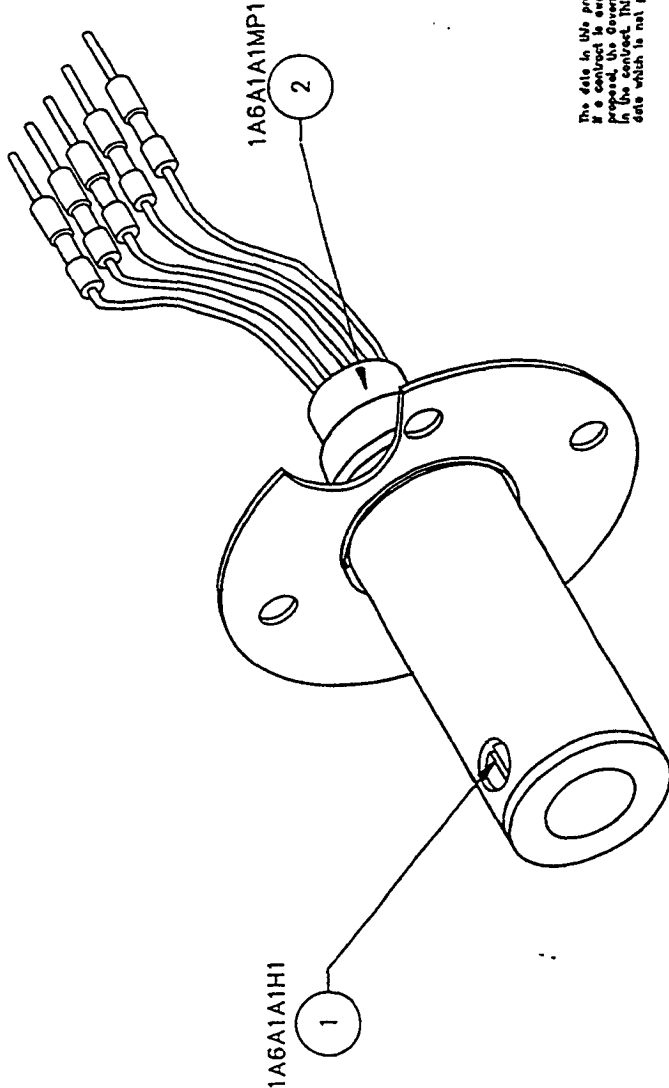
INDEX	REFERENCE NO.	PART NO.	DESCRIPTION	FSCM	QTY
REF	1A6A1A1	6010-0084	HEATER ASSY, TJ-70	17794	REF
1	1A6A1A1H1	1348-0547	SCREW, SET #8-32 X .125" LG.	17794	1
		GENERIC		ZZZ	
2	1A6A1A1MP1	1213-0033	SEAL, FRONT	17794	1

DWG NO
B R 6010 - 0081

A

REVISIONS		DEVELOPER	DATE	APPROVAL
LEVEL	AUTHORIZATION	C. CARDINO	EC 3759	M. PAIT
A				

RELEASE APPROVAL
DATE
03/04/44



The data in this proposal shall not be used or disclosed, except for evaluation purposes, provided that the data is not to be used in connection with the production of any article or the submission of any proposal, the Government shall have the right to use or disclose this technical data in whole or in part in the contract. This restriction does not limit the Government's right to use or disclose any technical data which is not proprietary to the submitter or is obtained from another source without restriction.

PROPRIETARY ASSEMBLY DRAWING

THIS DRAWING CONTAINS INFORMATION PROPRIETARY TO
PACE INC. ANY REPRODUCTION, DISCLOSURE OR USE OF
THIS DRAWING IS EXPRESSLY PROHIBITED EXCEPT AS
PACE INC. MAY OTHERWISE AGREE IN WRITING.

RAGE BY FACE, a subsidiary of
RAGE Systems Corp.
1400 S. 17th St., Suite 100
Tulsa, Oklahoma 74116
System for Development, Production and Support of Electronic Assemblies

UNLESS OTHERWISE SPECIFIED DIMENSIONS ARE IN INCHES. DO NOT SCALE.	TOLERANCES	
	2 PLACE	3 PLACE
	± .01	± .005
		± .5°

MATERIAL FINISH

HEATER ASSY.
TJ-70

F.S.C.M. NO. 17794
DWG. NO. R6010-0084

REF. SCALE 2/1 SK SHEET 1 OF 1



PROPRIETARY PARTS LIST

The data in this proposal shall not be used or disclosed, except for evaluation purposes, provided that if a contract is awarded to this submitter as a result of or in connection with the submission of this proposal, the Government shall have the right to use or disclose this technical data to the extent provided in the contract. This restriction does not limit the Government's right to use or disclose any technical data which is not proprietary to the submitter or is obtained from another source without restriction.

DWG. NO: R7924-0001

REV: A EC NO: 3759 DATE: 3/4/94

APP: *M*

TITLE: THERMOPIK, TP-65 W/ACCESSORIES

AMENDED P/L FORMAT: 8/23/94

B EC NO: 4366 DATE: 5/21/96

INDEX	REFERENCE NO.	PART NO.	DESCRIPTION	FSCM	QTY
REF	1A7	7924-0001	THERMOPIK, TP-65 W/ACCESSORIES	17794	REF
1	1A7A1	7024-0001	THERMOPIK, TP-65	17794	1
2	1A7MP1	1342-0015-08 MS 70E00B	TUBING, SILICONE, BLACK, .125 ID, 54" LG.	17794	1
3	1A7MP2	1325-0003-07	TUBING, PVC, CLEAR, .125 ID, 1" LG.	ZZZ	2
4	1A7MP3	1259-0087	DISCONNECT, QUICK CHANGE HOSE MT., MALE	17794	2
5	1A7MP4	1259-0086	DISCONNECT, QUICK CHANGE HOSE MT., FEMALE	17794	1
6	1A7MP5	1309-0028	VISIFILTER II	17794	1
7	1A7MP6	1211-0036 5000-2	CLAMP, HOSE, REUSABLE	17794	1
8	1A7MP7	1321-0085-01	HOLDER, WIRE TO TUBE	90326	6
9	1A7MP8	1121-0322-002-P1	TIP, TP, FP, .66 X .90 ID	17794	1
10	1A7MP9	1121-0382	CUP, VACUUM, .175 DIA. X .197 HT.	17794	1
11	1A7MP10	1121-0383	CUP, VACUUM, .300 DIA. X .197 HT.	17794	1
12	1A7MP11	1121-0384	CUP, VACUUM, .500 DIA. X .197 HT.	17794	1



PROPRIETARY PARTS LIST

The data in this proposal shall not be used or disclosed, except for evaluation purposes, provided that if a contract is awarded to this submitter as a result of or in connection with the submission of this proposal, the Government shall have the right to use or disclose this technical data to the extent provided in the contract. This restriction does not limit the Government's right to use or disclose any technical data which is not proprietary to the submitter or is obtained from another source without restriction.

DWG. NO: R7024-0001

REV: A EC NO: 3759 DATE: 3/4/94
 AMENDED P/L FORMAT: 8/23/94

APP: *M*

TITLE: THERMOPIK, TP-65

INDEX	REFERENCE NO.	PART NO.	DESCRIPTION	FSCM	QTY
REF					REF
1	1A7A1	7024-0001	THERMOPIK, TP-65	17794	1
2	1A7A1A1	6010-0081	HEATER ASSY, TP-65	17794	1
3	1A7A1A2	4010-0101	REAR SEAL ASSY	17794	1
4	1A7A1H1	1405-0395	SCREW, #4-40 X 1/4"LG. PAN HD. W/LOCKWASHER	17794	3
		GENERIC		ZZZ	
5	1A7A1H2	1405-0534	SCREW, #4-40 X 5/16"LG. PAN HD. W/ LOCKWASHER	17794	3
		GENERIC		ZZZ	
6	1A7A1H3	1405-0527	SCREW, FLAT HD. #2-28 X 7/16"LG.	17794	2
		GENERIC		ZZZ	
7	1A7A1H4	1348-0197	SCREW, FIL. HD., #2-28 X 9/32"LG.	17794	2
		GENERIC		ZZZ	
8	1A7A1H5	1405-0342	SCREW, SET, #8-32 X 1/8"LG.	17794	1
		GENERIC		ZZZ	
9	1A7A1H6	1348-0547	SCREW, SET, #8-32 X .125" LG.	17794	2
		GENERIC		ZZZ	
10	1A7A1MP1	1313-0115	GUIDE COVER, PCB	17794	1
11	1A7A1MP2	1344-0059	VACUUM CYLINDER, THERMOPIK	17794	1
12	1A7A1MP3	1119-0064	BUTTON, EXTRACTOR	17794	1
13	1A7A1MP4	1360-0005	DISSIPATOR	17794	1
14	1A7A1MP5	1213-0001	SEAL	17794	1
15	1A7A1MP6	1119-0047	HANDLE, BOTTOM HALF	17794	1
16	1A7A1MP7	1119-0048	HANDLE, TOP HALF	17794	1
17	1A7A1MP8	1209-0006	CLIP, SPRING	17794	2
18	1A7A1MP9	1344-0058	BEARING, VACUUM TUBE	17794	1
19	1A7A1MP10	1360-0073	LOCATOR, CYLINDER, THERMOPIK	17794	1
20	1A7A1MP11	1321-0226	COLLAR, THERMOPIK	17794	2
21	1A7A1MP12	1348-0552	WASHER, VACUUM TUBE	17794	1
	1A7A1MP13	4010-0099	VACUUM TUBE ASSY	17794	1

DWG. NO: R7024-0001

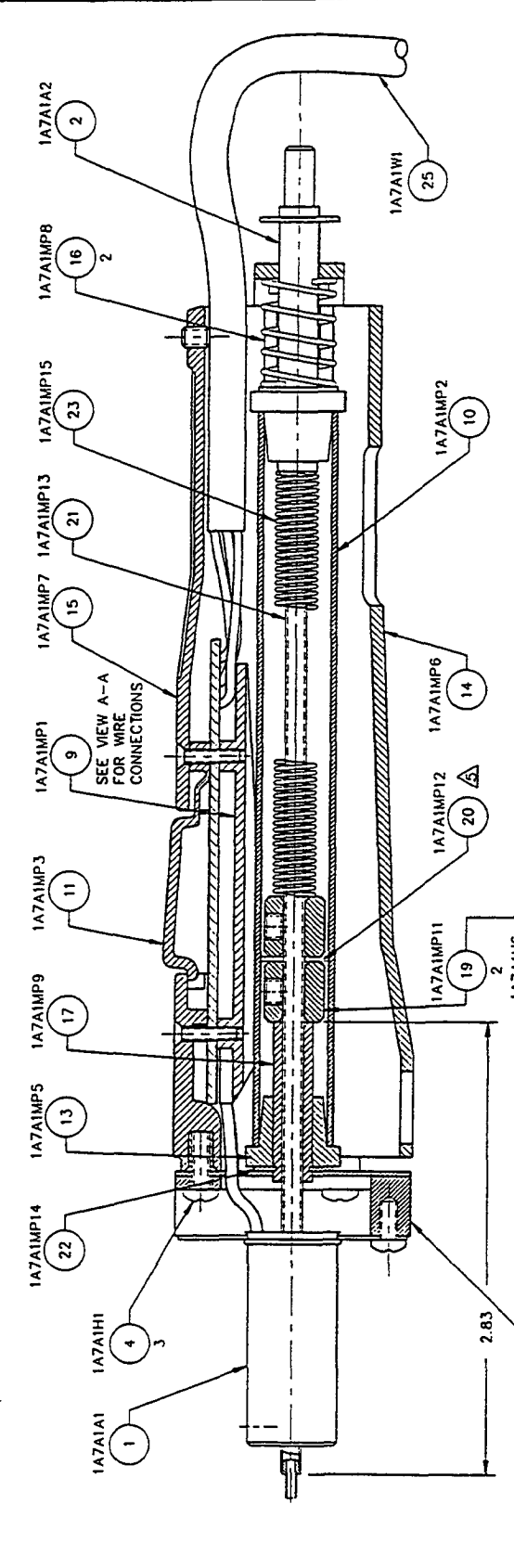
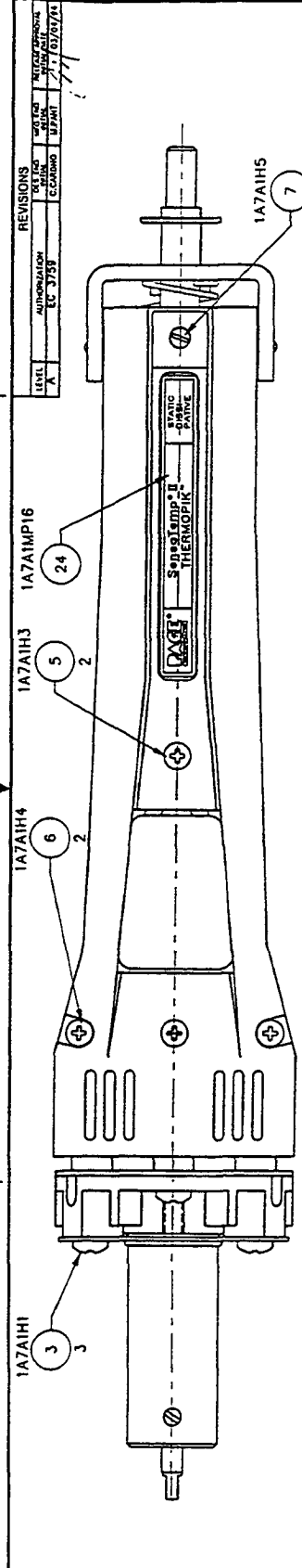
REV: A EC NO: 3759 DATE: 3/4/94
AMENDED P/L FORMAT: 8/23/94

APP: *M*

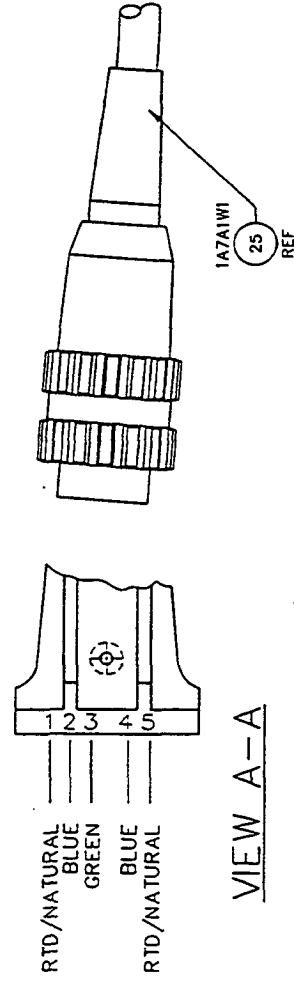
TITLE: THERMOPIK, TP-65

INDEX	REFERENCE NO.	PART NO.	DESCRIPTION	FSCM	QTY
22	1A7A1MP14	1348-0387 5133-25 1000-25	RING, RETAINING	17794 79136 97464	1
23	1A7A1MP15	1221-0101	SPRING, COMPRESSION, 3.50"LG.	17794	1
24	1A7A1MP16	1351-0528	LABEL, THERMOPIK	17794	1
25	1A7A1W1	4010-0098	CORD/SWITCH ASSY	17794	1

BLANK



- NOTES:
1. RESISTANCE OF HEATER AT PINS 10.2 Ω TO 9.2
 2. SWITCH RESISTANCE LESS THAN 500 Ω
 3. HEATER TO GROUND RESISTANCE IS INFINITE.
 4. SENSOR RESISTANCE R=109 Ω TO 110 Ω
 5. WASHER MUST BE FREE TO ROTATE AROUND VACUUM TUBE.



REVISIONS

LEVEL	APPROVAL	DATE	REVISION
A	EC 3759	11/01/63	1

PROPRIETARY ASSEMBLY DRAWING

<p>THIS DRAWING CONTAINS INFORMATION PROPRIETARY TO PAGE INC. ANY REPRODUCTION, DISCLOSURE OR USE OF THIS DRAWING IS EXPRESSLY PROHIBITED EXCEPT AS AUTHORIZED BY PAGE INC. IN WRITING.</p>							
<p>TOLERANCES</p> <table border="1"> <tr> <th>FINISH</th> <th>PLACEMENT</th> <th>ANGLE</th> </tr> <tr> <td>± .01</td> <td>± .005</td> <td>± .5°</td> </tr> </table>		FINISH	PLACEMENT	ANGLE	± .01	± .005	± .5°
FINISH	PLACEMENT	ANGLE					
± .01	± .005	± .5°					
<p>UNLESS OTHERWISE SPECIFIED DIMENSIONS ARE IN INCHES DO NOT SCALE</p>							
<p>MATERIAL</p>							
<p>DATE: 11/01/63</p>							
<p>SCALE: 2/1</p>							
<p>17794 R7024-0001</p>							
<p>TP-65</p>							
<p>THERMOPIK</p>							
<p>1A7AI</p>							
<p>SHEET 1 OF 1</p>							



PROPRIETARY PARTS LIST

The data in this proposal shall not be used or disclosed, except for evaluation purposes, provided that if a contract is awarded to this submitter as a result of or in connection with the submission of this proposal, the Government shall have the right to use or disclose this technical data to the extent provided in the contract. This restriction does not limit the Government's right to use or disclose any technical data which is not proprietary to the submitter or is obtained from another source without restriction.

DWG. NO: R6010-0081

REV: A EC NO: 3759 DATE: 3/4/94
AMENDED P/L FORMAT: 8/23/94

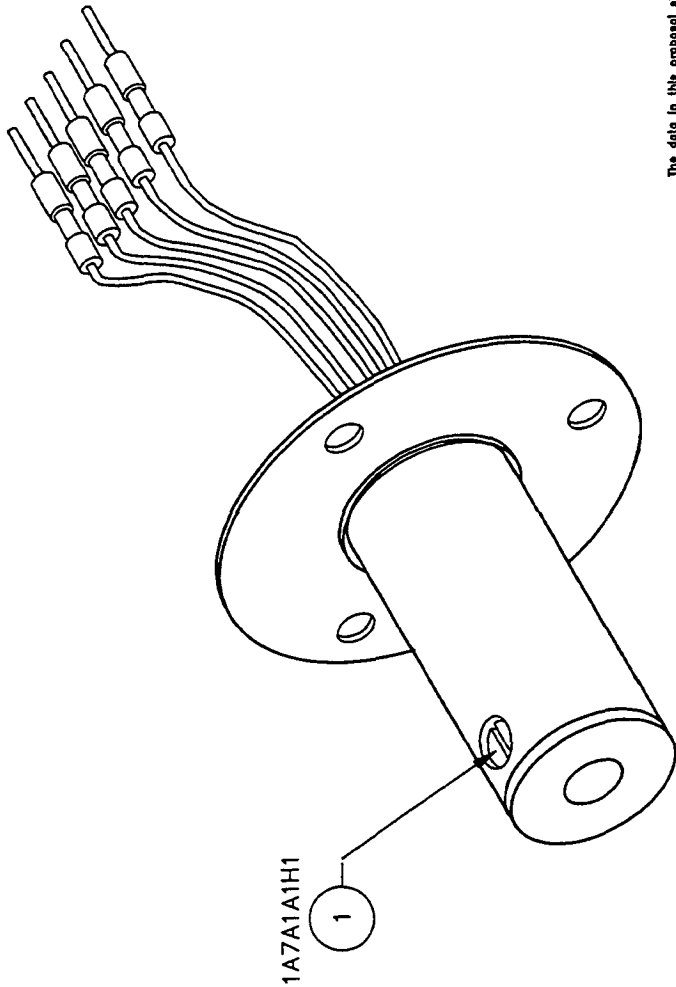
APP: *A*

TITLE: HEATER ASSY, TP-65

INDEX	REFERENCE NO.	PART NO.	DESCRIPTION	FSCM	QTY
REF 1	1A7A1A1 1A7A1A1H1	6010-0081 1348-0547 GENERIC	HEATER ASSY, TP-65 SCREW, SET #8-32 X .125" LG.	17794 17794 ZZZ	REF 1

DWG NO. **B R6010-0081** A

REVISIONS			
LEVEL	AUTHORIZATION	DES. ENO. INITIAL	RELEASE APPROVAL INITIAL/DATE
A	EC 3759	C.CARDNO	M.PANT 03/04/84



The data in this proposal shall not be used or disclosed, except for evaluation purposes, provided that if a contract is awarded to this submitter as a result of or in connection with the submission of this proposal, the Government shall have the right to use or disclose this technical data to the extent provided in paragraph 5.2 of the Contract. The Government shall not be bound by any technical data which is not proprietary to the submitter or is obtained from another source without restriction.

PROPRIETARY ASSEMBLY DRAWING

THIS DRAWING CONTAINS INFORMATION PROPRIETARY TO PAGE INC. ANY REPRODUCTION, DISCLOSURE OR USE OF THIS DRAWING IS EXPRESSLY PROHIBITED EXCEPT AS PAGE INC. MAY OTHERWISE AGREE IN WRITING.	PAGE <small>PACE, Incorporated LARSA, MD 20723, U.S.A. TEL (301) 490-8860 FAX (301) 494-2180 Systems for Development, Production, and Repair of Electronic Assemblies</small>	
	HEATER ASSY. TP-65	
UNLESS OTHERWISE SPECIFIED DIMENSIONS ARE IN INCHES. DO NOT SCALE.	TOLERANCES 2 PLACE 3 PLACE ANGLES $\pm .01$ $\pm .005$ $\pm 5^\circ$	F.S.C.M. NO. 17794 DWG. NO. R6010-0081
MATERIAL	FINISH	REF. SCALE 2/1 SK SHEET 1 OF 1



PROPRIETARY PARTS LIST

The data in this proposal shall not be used or disclosed, except for evaluation purposes, provided that if a contract is awarded to this submitter as a result of or in connection with the submission of this proposal, the Government shall have the right to use or disclose this technical data to the extent provided in the contract. This restriction does not limit the Government's right to use or disclose any technical data which is not proprietary to the submitter or is obtained from another source without restriction.

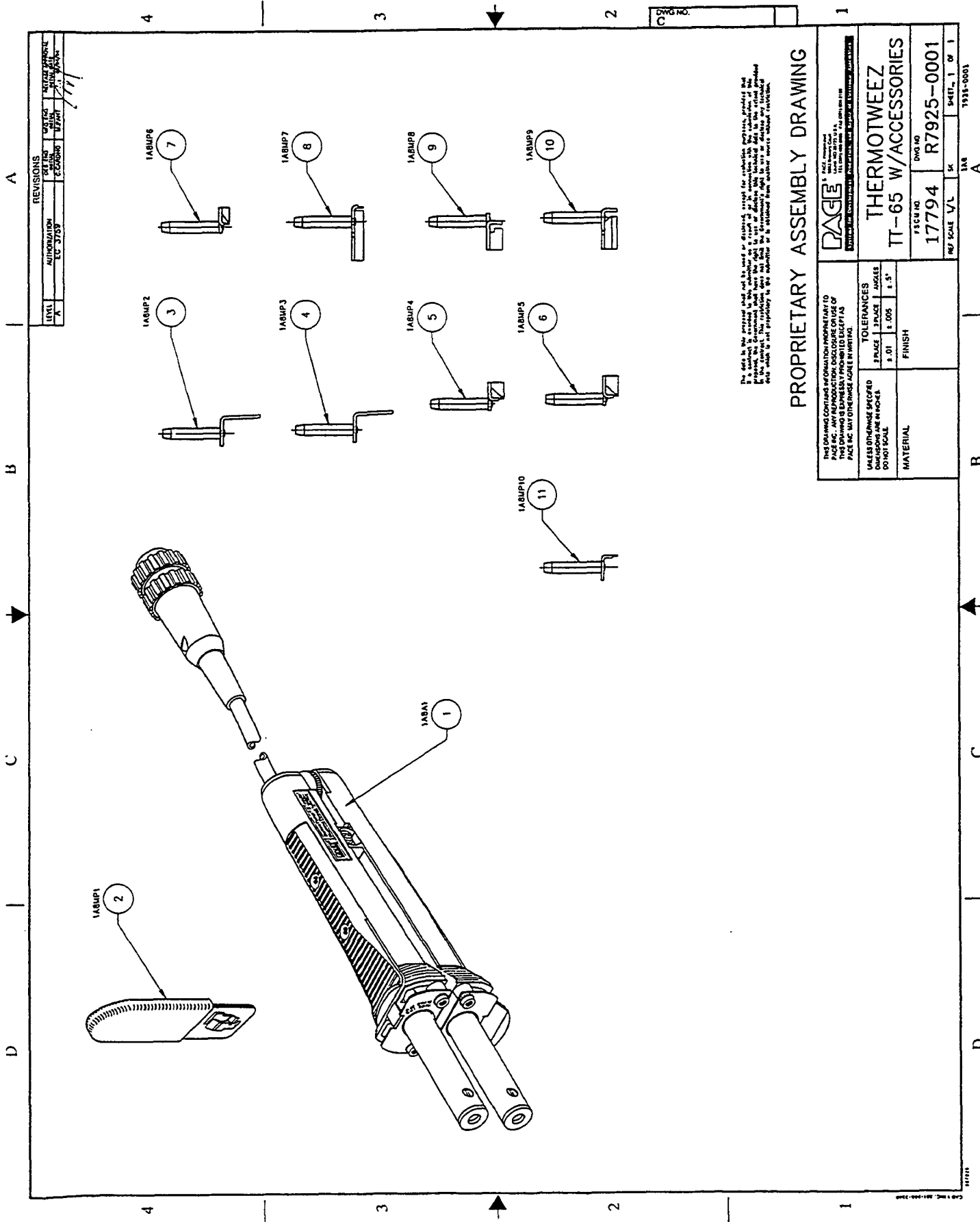
DWG. NO: R7925-0001

REV: A EC NO: 3759 DATE: 3/4/94
AMENDED P/L FORMAT: 8/23/94

APP: *M*

TITLE: THERMOTWEEZ, TT-65 W/ACCESSORIES

INDEX	REFERENCE NO.	PART NO.	DESCRIPTION	FSCM	QTY
REF	1A8	7925-0001	THERMOTWEEZ, TT-65 W/ACCESSORIES	17794	REF
1	1A8A1	7025-0001	THERMOTWEEZ, TT-65	17794	1
2	1A8MP1	1100-0234	TOOL, TIP ALIGNMENT	17794	1
3	1A8MP2	1121-0313-P1	TIP, TT, CHIP COMPONENT, .08 BLADE, PAIR	17794	1
4	1A8MP3	1121-0399-P1	TIP, TT, CHIP COMP., .16W, PR	17794	1
5	1A8MP4	1121-0417-P1	TIP, TT, .26 X .26, PR	17794	1
6	1A8MP5	1121-0425-P1	TIP, TT, .40 X .35, PR	17794	1
7	1A8MP6	1121-0452-P1	TIP, TT, .35 X .25, LCCC-24, PR	17794	1
8	1A8MP7	1121-0455-P1	TIP, TT, .85 X .85, LCCC-132, PR	17794	1
9	1A8MP8	1121-0317-P1	TIP, TT, .37 X .37, PLCC 28, PR	17794	1
10	1A8MP9	1121-0318-P1	TIP, TT, .57 X .57, PLCC 44, PR	17794	1
11	1A8MP10	1121-0416-P1	TIP, TT, .70 SOJ/SIMM, PR	17794	1



REVISIONS			
LEVEL	DESCRIPTION	DATE	BY
1	ASSEMBLY	02/08/00	12/11

This drawing contains information proprietary to Thermotweez, Inc. and is the property of Thermotweez, Inc. It is to be used for manufacturing purposes only and is not to be distributed outside of Thermotweez, Inc. without the written consent of Thermotweez, Inc. The information contained herein is the property of Thermotweez, Inc. and is not to be distributed outside of Thermotweez, Inc. without the written consent of Thermotweez, Inc.

PROPRIETARY ASSEMBLY DRAWING

THE DRAWING CONTAINS INFORMATION PROPRIETARY TO THERMOTWEEZ, INC. AND IS THE PROPERTY OF THERMOTWEEZ, INC. IT IS TO BE USED FOR MANUFACTURING PURPOSES ONLY AND IS NOT TO BE DISTRIBUTED OUTSIDE OF THERMOTWEEZ, INC. WITHOUT THE WRITTEN CONSENT OF THERMOTWEEZ, INC.		PAGE 1 THERMOTWEEZ, INC. 111 WEST 10TH AVENUE, SUITE 100 DENVER, CO 80202	
THERMOTWEEZ TT-65 W/ACCESSORIES		DWG NO R7925-0001	
TOLERANCES DIMENSIONS UNLESS OTHERWISE SPECIFIED DECIMALS ±.01 FRACTIONS ±.005 ANGLES ±.5°		FINISH	
MATERIAL		REF SCALE V/L SK IAB 17794	
F3 CH NO 17794		SK IAB R7925-0001	
SHEET 1 OF 1		1931-0001	



PROPRIETARY PARTS LIST

The data in this proposal shall not be used or disclosed, except for evaluation purposes, provided that if a contract is awarded to this submitter as a result of or in connection with the submission of this proposal, the Government shall have the right to use or disclose this technical data to the extent provided in the contract. This restriction does not limit the Government's right to use or disclose any technical data which is not proprietary to the submitter or is obtained from another source without restriction.

DWG. NO: R7025-0001

REV: A EC NO: 3759 DATE: 3/4/94
 AMENDED P/L FORMAT: 8/23/94

APP: *M*

TITLE: THERMOTWEEZ, TT-65

INDEX	REFERENCE NO.	PART NO.	DESCRIPTION	FSCM	QTY
REF					REF
1	1A8A1	7025-0001	THERMOTWEEZ, TT-65	17794	1
2	1A8A1A1	6010-0083	HEATER ASSY, TT-65, W/O SENSOR	17794	1
3A	1A8A1A2	6010-0082	HEATER ASSY, TT-65, W/ SENSOR	17794	1
	1A8A1E1	1340-0146-01	WIRE, 22GA., ORANGE(QTY 1@1.25"LG.)	17794	1.25
		N26-40T-451-8		74116	
3B	1A8A1E2	1340-0146-01	WIRE, 22GA., ORANGE(QTY 1@4"LG.)	17794	4"
		N26-40T-451-8		74116	
4A	1A8A1E3	1340-0146-02	WIRE, 22GA., BLUE(QTY 1@1.75"LG.)	17794	1.75"
		N26-40T-451-6		74116	
4B	1A8A1E4	1340-0146-02	WIRE, 22GA., BLUE(QTY 1@3.75"LG.)	17794	3.75"
		N26-40T-451-6		74116	
5A	1A8A1E5	1340-0146-03	WIRE, 22GA., GREEN(QTY 1@1"LG.)	17794	1"
		N26-40T-451-4		74116	
5B	1A8A1E6	1340-0146-03	WIRE, 22GA., GREEN(QTY 1@3"LG.)	17794	3"
		N26-40T-451-4		74116	
6A	1A8A1E7	1349-0253	SOLDER, SLEEVE, 22-26 GAUGE	17794	1
		ST-181-00		06090	
6B	1A8A1E8	1349-0253	SOLDER, SLEEVE, 22-26 GAUGE	17794	1
		ST-181-00		06090	
6C	1A8A1E9	1349-0253	SOLDER, SLEEVE, 22-26 GAUGE	17794	1
		ST-181-00		06090	
7A	1A8A1H1	1405-0395	SCREW, PAN HD., #4-40 X 1/4"LG., W/LOCKWASHER	17794	2
		GENERIC		ZZZ	
7B	1A8A1H2	1405-0395	SCREW, PAN HD., #4-40 X 1/4"LG., W/LOCKWASHER	17794	2
		GENERIC		ZZZ	
8A	1A8A1H3	1405-0637	SCREW, FLAT HD., #4-40 X .50"LG., SELF TAPPING	17794	2
		GENERIC		ZZZ	

DWG. NO: R7025-0001

REV: A EC NO: 3759 DATE: 3/4/94
 AMENDED P/L FORMAT: 8/23/94

APP:

M

TITLE: THERMOTWEEZ, TT-65

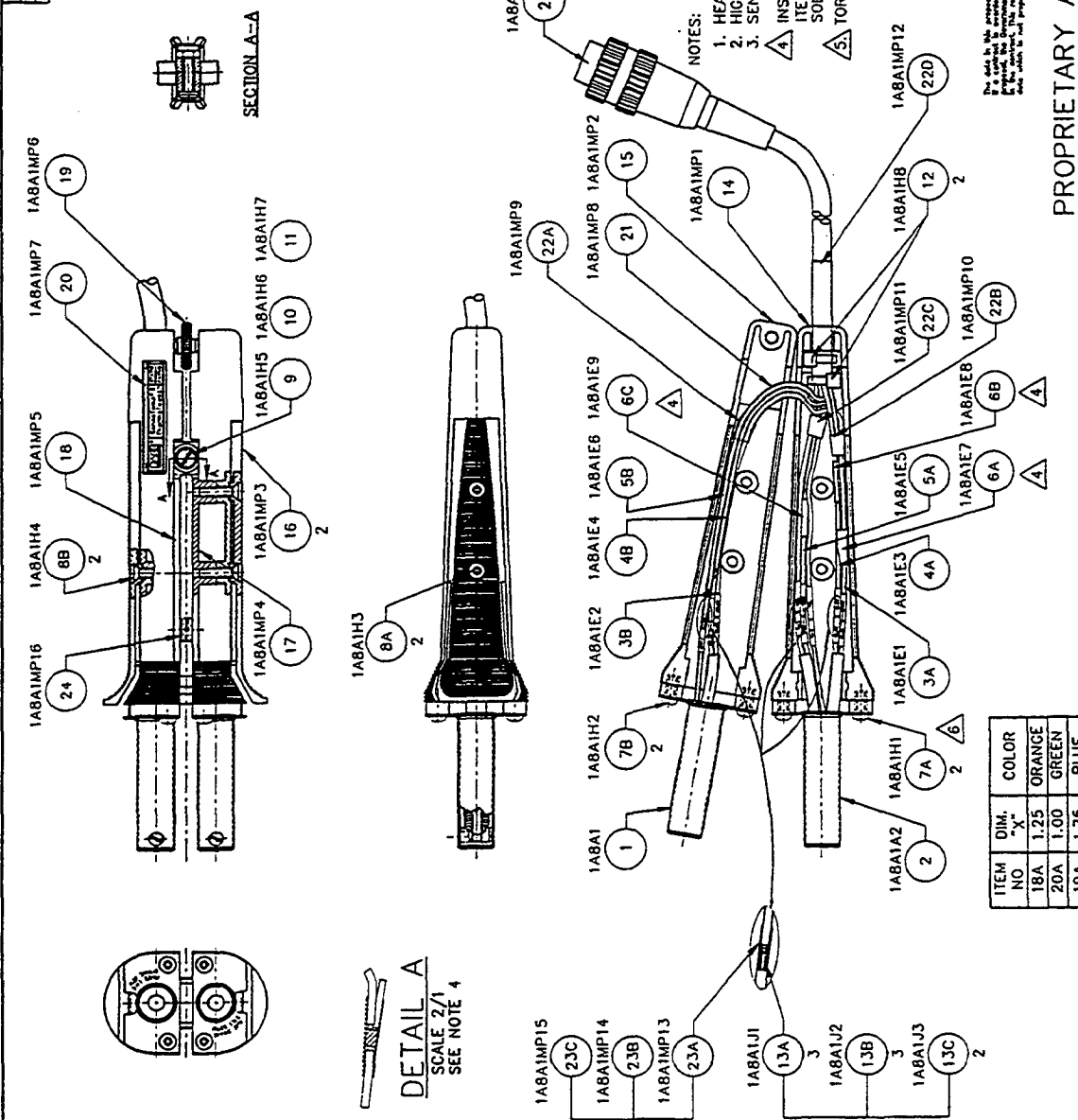
INDEX	REFERENCE NO.	PART NO.	DESCRIPTION	FSCM	QTY
8B	1A8A1H4	1405-0637 GENERIC	SCREW, FLAT HD., #4-40 X .50"LG., SELF-TAPPING	17794 ZZZ	2
9	1A8A1H5	1405-0021 GENERIC	SCREW, BINDER HD., #4-40 X 5/8"LG.	17794 ZZZ	1
10	1A8A1H6	1415-0014 GENERIC	WASHER, FLAT, #4., 125"IDX.250"ODX.032"THK	17794 ZZZ	1
11	1A8A1H7	1410-0062 22NN1-40	NUT, HEX, LOCK, #4-40	17794 06888	1
12	1A8A1H8	1349-0045 GENERIC	TYWRAP, WIRE	17794 ZZZ	2
13A	1A8A1J1	1207-0121 61622-1	RECEPTACLE, WIRE 20-24 GAUGE	17794 09769	3
13B	1A8A1J2	1207-0121 61622-1	RECEPTACLE, WIRE 20-24 GAUGE	17794 09769	3
13C	1A8A1J3	1207-0121 61622-1	RECEPTACLE, WIRE 20-24 GAUGE	17794 09769	2
14	1A8A1MP1	1119-0066	HANDLE, SENSOR SIDE	17794	1
15	1A8A1MP2	1119-0065	HANDLE, NON-SENSOR SIDE	17794	1
16	1A8A1MP3	1119-0067	GRIPPER	17794	2
17	1A8A1MP4	1119-0068	HINGE, W/SLOT	17794	1
18	1A8A1MP5	1119-0069	HINGE, W/HEX	17794	1
19	1A8A1MP6	1222-0085	WHEEL, ADJUSTMENT, .57"DIA.	17794	1
20	1A8A1MP7	1351-0531	LABEL, THERMOTWEEZ	17794	1
21	1A8A1MP8	1346-0056-01 VARGLASS TYPE HP, SIZE 7	SLEEVING, VARGLAS #7 (QTY 1@1"LG.)	17794 79074	1
22A	1A8A1MP9	1346-0067 TAT-125	TUBING, SHK., 1/4"DIA. (QTY 1@.50"LG.)	17794 06090	.50"
22B	1A8A1MP10	1346-0067 TAT-125	TUBING, SHK., 1/4"DIA. (QTY 1@.50"LG.)	17794 06090	.50"
22C	1A8A1MP11	1346-0067 TAT-125	TUBING, SHK., 1/4"DIA. (QTY 1@.50"LG.)	17794 06090	.50"
22D	1A8A1MP12	1346-0067 TAT-125	TUBING, SHK., 1/4"DIA. (QTY 1@2"LG.)	17794 06090	2"

DWG. NO: R7025-0001 REV: A EC NO: 3759 DATE: 3/4/94 APP: *M*

TITLE: THERMOTWEEZ, TT-65 AMENDED P/L FORMAT: 8/23/94

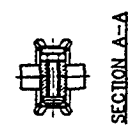
INDEX	REFERENCE NO.	PART NO.	DESCRIPTION	FSCM	QTY
23A	1A8A1MP13	1346-0021 FIT 221-3/32"	TUBING, SHK., BLK., 3/32"DIA. (QTY 3@1/2"LG.EACH)	17794 92194	1.5"
23B	1A8A1MP14	1346-0021 FIT 221-3/32"	TUBING, SHK., BLK., 3/32"DIA. (QTY 3@1/2"LG.EACH)	17794 92194	1.5"
23C	1A8A1MP15	1346-0021 FIT 221-3/32"	TUBING, SHK., BLK., 3/32"DIA. (QTY 2@1/2"LG.EACH)	17794 92194	1"
24	1A8A1MP16	1221-0099 LC-022D-7	SPRING, COMPRESSION	17794 84830	1
25	1A8A1W1	1332-0151	CABLE ASSY.	17794	1

REV.	DESCRIPTION	DATE	BY	CHKD.
1	REVISIONS			
2	REVISIONS			
3	REVISIONS			
4	REVISIONS			



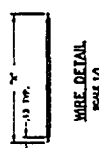
- NOTES:
1. HEATER RESISTANCE 10.750 TO 11.90 PER HEATER.
 2. HIGH POT HEATER AT 600V FOR 1 SECOND.
 3. SENSOR RESISTANCE R=109N TO 110T
 4. INSERT ENDS OF WIRES INTO EACH END OF ITEMS 6A,B,C. HEAT SHRINK TUBING AND FLOW SOLDER (SEE DETAIL "A").
 5. TORQUE TO 4.5 in. oz.

This drawing is the property of the company and is not to be used or reproduced in any form without the written consent of the company. The company reserves the right to change the drawing without notice and without obligation to the customer. The customer agrees to indemnify the company for any and all damages, including reasonable attorney's fees, arising from the use of this drawing without the written consent of the company.



DETAIL A
SCALE 2/1
SEE NOTE 4

ITEM NO.	DIM. "X"	COLOR
18A	1.25	ORANGE
20A	1.00	GREEN
19A	1.75	BLUE
20B	3.00	GREEN
19B	3.75	BLUE
18B	4.00	ORANGE



PROPRIETARY ASSEMBLY DRAWING

THIS DRAWING CONTAINS INFORMATION PROPRIETARY TO THERMOTWEEZ AND IS NOT TO BE REPRODUCED OR TRANSMITTED IN ANY FORM OR BY ANY MEANS, ELECTRONIC OR MECHANICAL, INCLUDING PHOTOCOPYING, RECORDING, OR BY ANY INFORMATION STORAGE AND RETRIEVAL SYSTEM, WITHOUT THE EXPRESS WRITTEN PERMISSION OF THERMOTWEEZ. THIS DRAWING IS THE PROPERTY OF THERMOTWEEZ AND IS NOT TO BE REPRODUCED OR TRANSMITTED IN ANY FORM OR BY ANY MEANS, ELECTRONIC OR MECHANICAL, INCLUDING PHOTOCOPYING, RECORDING, OR BY ANY INFORMATION STORAGE AND RETRIEVAL SYSTEM, WITHOUT THE EXPRESS WRITTEN PERMISSION OF THERMOTWEEZ.

THERMOTWEEZ
TT-65

FIG. NO. 17794
REV. SCALE 1/1 SK

DWG. NO. R7025-0001
SHEET 1 OF 1

1011-0001



PROPRIETARY PARTS LIST

The data in this proposal shall not be used or disclosed, except for evaluation purposes, provided that if a contract is awarded to this submitter, as a result of or in connection with the submission of this proposal, the Government shall have the right to use or disclose this technical data to the extent provided in the contract. This restriction does not limit the Government's right to use or disclose any technical data which is not proprietary to the submitter or is obtained from another source without restriction.

DWG. NO: R6010-0083

REV: A EC NO: 3759 DATE: 3/4/94
AMENDED P/L FORMAT: 8/23/94

APP: *MA*

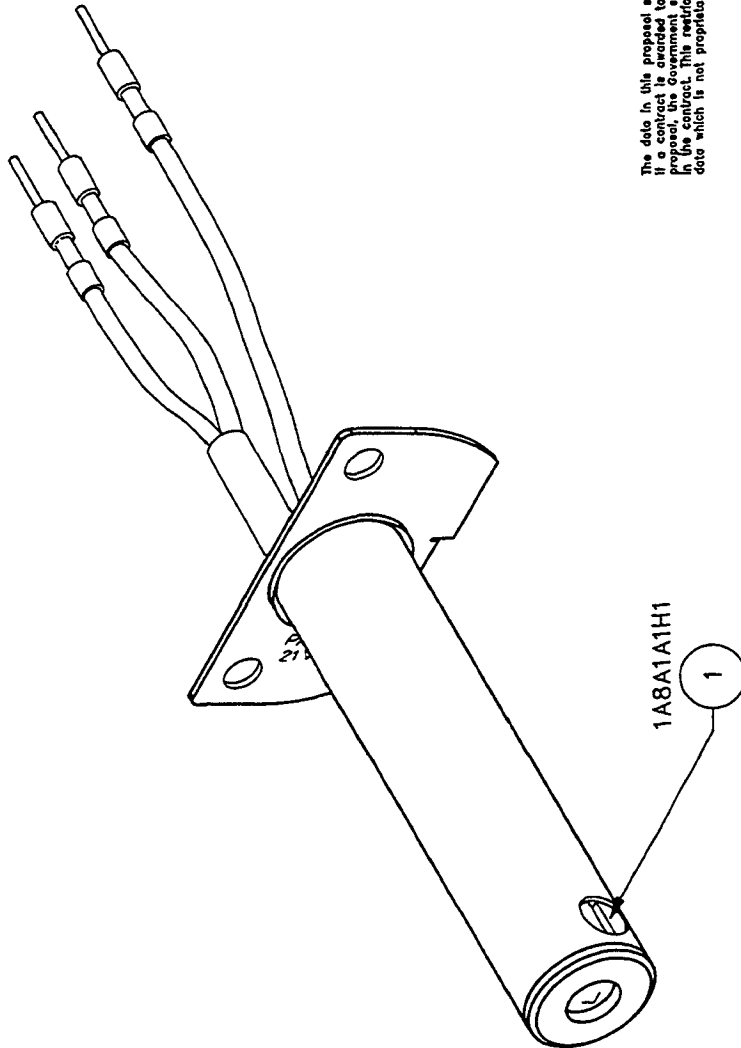
TITLE: HEATER ASSY, TT-65, W/O SENSOR

INDEX	REFERENCE NO.	PART NO.	DESCRIPTION	FSCM	QTY
REF 1	1A8A1A1 1A8A1A1H1	6010-0083 1348-0547 GENERIC	HEATER ASSY, TT-65, W/O SENSOR SCREW, SET, CUP POINT #8-32 X .125" LG.	17794 17794 ZZZ	REF 1

DWG NO. **B 6010-0083**

A

REVISIONS		DES. ENO. INITIAL	MFG. ENO. INITIAL	RELEASE APPROVAL INITIAL/DATE
LEVEL	AUTHORIZATION	C. CARDNO	M. PANT	03/04/84
A	EC 3759			



The data in this proposal shall not be used or disclosed, except for evaluation purposes, provided that if a contract is awarded to this submitter as a result of or in connection with the submission of this proposal, the Government shall have the right to use or disclose this technical data to the extent provided in the contract. This restriction does not limit the Government's right to use or disclose any technical data which is not proprietary to the submitter or is obtained from another source without restriction.

PROPRIETARY ASSEMBLY DRAWING

THIS DRAWING CONTAINS INFORMATION PROPRIETARY TO PACE INC. ANY REPRODUCTION, DISCLOSURE OR USE OF THIS DRAWING IS EXPRESSLY PROHIBITED EXCEPT AS PACE INC. MAY OTHERWISE AGREE IN WRITING.

PAGE[®] PACE, Incorporated
 10000 Greenleaf Road
 Laurel, MD 20723, U.S.A.
 TEL (301) 500-8860 FAX (301) 504-2160
 Systems for Development, Production, and Repair of Electronic Assemblies

UNLESS OTHERWISE SPECIFIED DIMENSIONS ARE IN INCHES. DO NOT SCALE.	TOLERANCES		
	2 PLACE	3 PLACE	ANGLES
	± .01	± .005	± .5°

MATERIAL FINISH

F.S.C.M. NO. **17794** DWG. NO. **R6010-0083**

REF. SCALE **2/1** SK SHEET **1** OF **1**

1A8A1A1 6010-0083



PROPRIETARY PARTS LIST

The data in this proposal shall not be used or disclosed, except for evaluation purposes, provided that if a contract is awarded to this submitter as a result of or in connection with the submission of this proposal, the Government shall have the right to use or disclose this technical data to the extent provided in the contract. This restriction does not limit the Government's right to use or disclose any technical data which is not proprietary to the submitter or is obtained from another source without restriction.

DWG. NO: R6010-0082

REV: A EC NO: 3759 DATE: 3/4/94 APP: 

AMENDED P/L FORMAT: 8/23/94

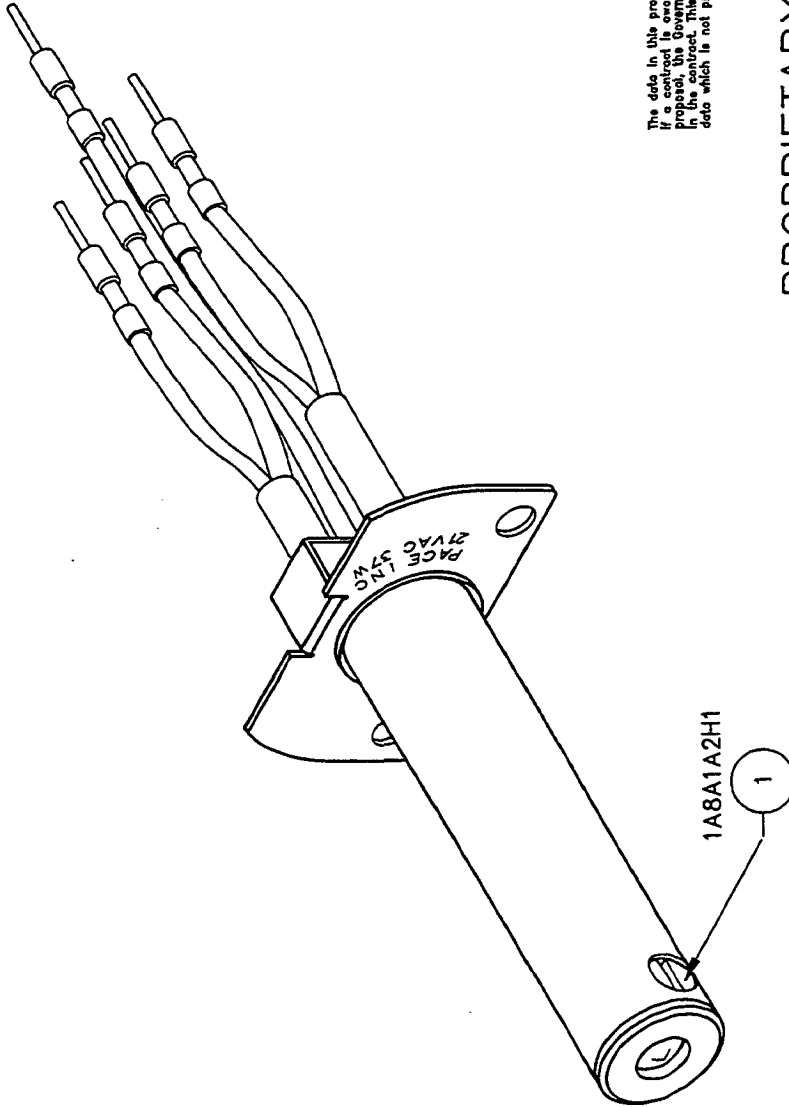
TITLE: HEATER ASSY, TT-65, W/ SENSOR

INDEX	REFERENCE NO.	PART NO.	DESCRIPTION	FSCM	QTY
-------	---------------	----------	-------------	------	-----

REF	1A8A1A2	6010-0082	HEATER ASSY, TT-65, W/ SENSOR	17794	REF
1	1A8A1A2H1	1348-0547	SCREW, SET, CUP POINT, #8-32 X .125" LG.	17794	1

DWG NO.
B

REVISIONS			
LEVEL	AUTHORIZATION	DES. ENG. INITIAL	RELEASE APPROVAL INITIAL/DATE
A	EC 3759	C.CARDNO	M.PANT 03/04/



The data in this proposal shall not be used or disclosed, except for evaluation purposes, provided that if consent is granted to this submitter as a result of or in connection with the submission of this proposal, the Government shall have the right to use or disclose this technical data to the extent provided in the contract. This restriction does not limit the Government's right to use or disclose any technical data which is not proprietary to the submitter or is obtained from another source without restriction.

PROPRIETARY ASSEMBLY DRAWING

THIS DRAWING CONTAINS INFORMATION PROPRIETARY TO PACE INC. ANY REPRODUCTION, DISCLOSURE OR USE OF THIS DRAWING IS EXPRESSLY PROHIBITED EXCEPT AS PACE INC. MAY OTHERWISE AGREE IN WRITING.

PAGE[®] PACE Incorporated
 16000 West 10th Avenue
 Denver, CO 80232, U.S.A.
 Tel: (303) 492-9600 Fax: (303) 492-2100
 Systems for development, production, and repair of Electronic Assemblies

UNLESS OTHERWISE SPECIFIED DIMENSIONS ARE IN INCHES. DO NOT SCALE.	TOLERANCES	
	2 PLACE	3 PLACE
	± .01	± .005
		ANGLES ± .5°

HEATER ASSY.
 TT-65, W/SENSOR

MATERIAL

F.S.C.M. NO. 17794

DWG. NO. R6010-0082

REF. SCALE 2/1 SK

SHEET 1 OF 1

1A8A1A2 6010-0082



PROPRIETARY PARTS LIST

The data in this proposal shall not be used or disclosed, except for evaluation purposes, provided that if a contract is awarded to this submitter as a result of or in connection with the submission of this proposal, the Government shall have the right to use or disclose this technical data to the extent provided in the contract. This restriction does not limit the Government's right to use or disclose any technical data which is not proprietary to the submitter or is obtained from another source without restriction.

DWG. NO: R7926-0001

REV: A EC NO: 3759 DATE: 3/4/94 APP: *md*
AMENDED P/L FORMAT: 8/23/94

TITLE: MICROCHINE, MC-65

INDEX	REFERENCE NO.	PART NO.	DESCRIPTION	FSCM	QTY
REF	1A9	7926-0001	MICROCHINE, MC-65	17794	1
1	1A9A1	7026-0001	MICROCHINE, MC-65	17794	1
2	1A9A2	6005-0013	KIT, TOOL PACK, DELUXE	17794	1
3	1A9W1	1332-0159	CORD, PROBE BRAKE PATCH	17794	1
		417-8903-024		74970	
		7955-5016-10-25		18310	
		3782-24-0		ZZZ	

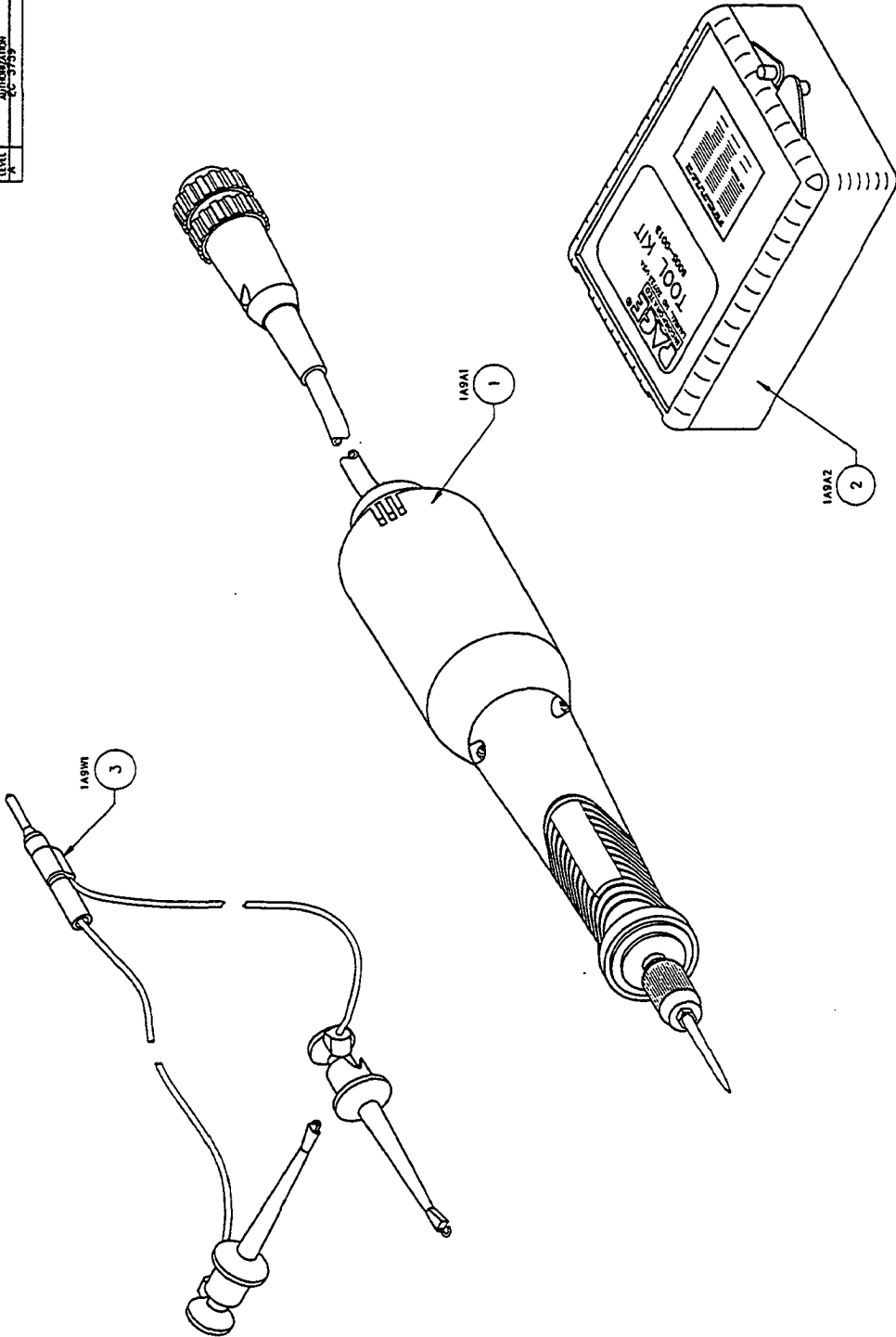
DWG NO. C R7926-0001 A

LEVEL	DESCRIPTION	DATE	BY	APPROVED
A	REVISIONS			

LEVEL	DESCRIPTION	DATE	BY	APPROVED
A	REVISIONS			

LEVEL	DESCRIPTION	DATE	BY	APPROVED
A	REVISIONS			

LEVEL	DESCRIPTION	DATE	BY	APPROVED
A	REVISIONS			



This data is the property of the manufacturer and is not to be used or disclosed in any way without the written consent of the manufacturer. The manufacturer is not responsible for any damage or injury caused by the use of this product. The manufacturer is not responsible for any damage or injury caused by the use of this product. The manufacturer is not responsible for any damage or injury caused by the use of this product.

PROPRIETARY ASSEMBLY DRAWING

THIS DRAWING CONTAINS INFORMATION PROPRIETARY TO THE MANUFACTURER AND IS NOT TO BE REPRODUCED OR TRANSMITTED IN ANY FORM OR BY ANY MEANS, ELECTRONIC OR MECHANICAL, INCLUDING PHOTOCOPYING, RECORDING, OR BY ANY INFORMATION STORAGE AND RETRIEVAL SYSTEM, WITHOUT THE WRITTEN PERMISSION OF THE MANUFACTURER.	
TOLERANCES UNLESS OTHERWISE SPECIFIED DIMENSIONS IN PARENTHESES DO NOT SCALE	FINISH
DIMENSIONS ± .01 ± .005 ± .5	FINISH
MATERIAL	

MICROCHINE MC-65	
PSCM NO 17794	DWG NO R7926-0001
REF SCALE 1/L	SK
1/18	1/18
1/18	1/18



PROPRIETARY PARTS LIST

The data in this proposal shall not be used or disclosed, except for evaluation purposes, provided that if a contract is awarded to this submitter as a result of or in connection with the submission of this proposal, the Government shall have the right to use or disclose this technical data to the extent provided in the contract. This restriction does not limit the Government's right to use or disclose any technical data which is not proprietary to the submitter or is obtained from another source without restriction.

DWG. NO: R7026-0001

REV: A EC NO: 3759 DATE: 3/4/94
 AMENDED P/L FORMAT: 8/23/94

APP: *M*

TITLE: MICROCHINE, MC-65

INDEX	REFERENCE NO.	PART NO.	DESCRIPTION	FSCM	QTY
REF					REF
1	1A9A1 1A9A1B1	7026-0001 1334-0020 RS-382SH-2270	MICROCHINE, MC-65 MOTOR, DC. 12V/20V	17794 17794 ZZZ	1
2	1A9A1D1	1183-0038 1N6285A 1N6285A	DIODE, ZENER, 1N6285A	17794 8Z393 ZZZ	1
3	1A9A1E1	1340-0146-03 N26-40T-451-4	WIRE,SILICONE RUBBER,22AWG,GREEN(QTY1@2"LG)	17794 74116	2"
4	1A9A1E2	1340-0146-05 N26-40T-451-3	WIRE,SILICONE RUBBER,22AWG,RED(QTY1@2"LG.)	17794 74116	2"
5	1A9A1E3	1221-0103	SPRING, CONTACT	17794	1
6	1A9A1E4	1221-0104	SPRING,ACTUATOR	17794	1
7	1A9A1E5	1338-0068 0699-58	BRUSH, CARBON	17794 OTRH7	1
8A	1A9A1H1	1348-0566 5108-62	RING, RETAINING, INVERTED EXT.,.625"SHAFT DIA.	17794 0EUY9	1
8B	1A9A1H2.	1348-0566 5108-62	RING, RETAINING, INVERTED EXT.,.625"SHAFT DIA.	17794 0EUY9	1
9A	1A9A1H3	1415-0068 7X8-A 12020	WASHER, FLAT, .628"ID, .873"OD, .020"THK.	17794 59076	1
9B	1A9A1H4	1415-0068 7X8-A 12020	WASHER, FLAT, .628"ID, .873"OD, .020"THK.	17794 59076	1
10A	1A9A1H5	1348-0197 GENERIC	SCREW, SELF TAPPING, FIL.HD.,#2-28 X 9/32"LG.	17794 ZZZ	2
10B	1A9A1H6	1348-0197 GENERIC	SCREW, SELF TAPPING, FIL.HD.,#2-28 X 9/32"LG.	17794 ZZZ	2

DWG. NO: R7026-0001

REV: A EC NO: 3759 DATE: 3/4/94
AMENDED P/L FORMAT: 8/23/94

APP: *M*

TITLE: MICROCHINE, MC-65

INDEX	REFERENCE NO.	PART NO.	DESCRIPTION	FSCM	QTY
11	1A9A1L1	1185-0009	CHOKE, FILTER	17794	1
12	1A9A1MP1	1119-0072	HANDLE, BOTTOM HALF	17794	1
13	1A9A1MP2	1119-0071	HANDLE, TOP HALF	17794	1
14	1A9A1MP3	1119-0073	BUTTON	17794	1
15	1A9A1MP4	1261-0113	SHAFT	17794	1
16	1A9A1MP5	1140-0032	BOOT, MOTOR	17794	2
17	1A9A1MP6	1140-0031	BOOT, BEARING	17794	1
18	1A9A1MP7	4005-0014	COLLET, .094 DIA.	17794	1
19	1A9A1MP8	4005-0012	NUT, COLLET	17794	1
20	1A9A1MP9	1351-0540	LABEL, MICROCHINE	17794	1
21	1A9A1MP10	1140-0033	INSULATOR, SPRING	17794	2
22	1A9A1MP11	1251-0075	BEARING, SHIELDED, .3125"BORE DIA.	17794	1
		SSR1-8516ZZRA7P58LG39		83086	
23	1A9A1MP12	1317-0028	PAD, SPONGE RUBBER,S.S.ADH.,.50"X.50"X1/8"THK.	17794	1
24	1A9A1MP13	1289-0015	TAPE, KAPTON, 3/8"WIDE(QTY1@2"LG.)	17794	2
		P-221		ZZZ,	
25	1A9A1MP14	1221-0112	SPRING, .115"DIA. X .312"LG.	17794	1
26	1A9A1MP15	1346-0067	TUBING, SHRINK, ADH.LINED, 1/4"DIA.	17794	2
		TAT-125		06090	
27	1A9A1MP16	1321-0243	RETAINER, CORD	17794	1
28	1A9A1MP17	1215-0142	INSULATOR, SHAFT	17794	1
29	1A9A1MP18	1346-0021	TUBING, SHRINK, 3/32"DIA. (QTY4@1/2"LG.EACH)	17794	2
		FIT 221-3/32"		92194	
30	1A9A1MP19	1346-0062-02	SLEEVEING, FIBERGLASS BRAID,NAT., #20, 1.75"LG.	17794	1
		THERMOFLEX 500, #70		30890	
31	1A9A1MP20	1140-0037	BOOT, CHOKE	17794	1
32	1A9A1W1	1332-0158	CABLE ASSY.	17794	1

BLANK



PROPRIETARY PARTS LIST

The data in this proposal shall not be used or disclosed, except for evaluation purposes, provided that if a contract is awarded to this submitter as a result of or in connection with the submission of this proposal, the Government shall have the right to use or disclose this technical data to the extent provided in the contract. This restriction does not limit the Government's right to use or disclose any technical data which is not proprietary to the submitter or is obtained from another source without restriction.

DWG. NO: R6005-0013

TITLE: KIT, TOOL PACK, DELUXE

REV: A EC NO: 3759 DATE: 3/4/94
 AMENDED P/L FORMAT: 8/23/94

APP: 

INDEX	REFERENCE NO.	PART NO.	DESCRIPTION	FSCM	QTY
REF	1A9A2	6005-0013	KIT, TOOL PACK, DELUXE	17794	REF
1	1A9A2MP1	1115-0001	MANDREL, W/SCREW TOP	17794	1
2	1A9A2MP2	1115-0002	MANDREL, THREADED	17794	2
3	1A9A2MP3	1127-0007	BRUSH, BRISTLE, MOUNTED	17794	1
4	1A9A2MP4	1127-0005	BRUSH, 9/16" UNMOUNTED	17794	2
5	1A9A2MP5	1127-0010	BRUSH, 3/4" UNMOUNTED	17794	1
6	1A9A2MP6	1112-0032	DRILL, 3/64"	17794	1
7	1A9A2MP7	1112-0033	DRILL, 1/16"	17794	1
8	1A9A2MP8	1112-0034	DRILL, 5/64"	17794	1
9	1A9A2MP9	1112-0035	DRILL, 3/32"	17794	1
10	1A9A2MP10	1112-0001	BALL MILL, 1/64"	17794	2
11	1A9A2MP11	1112-0002	BALL MILL, 1/32"	17794	2
12	1A9A2MP12	1112-0003	BALL MILL, 3/64"	17794	2
13	1A9A2MP13	1112-0004	BALL MILL, 1/16"	17794	2
14	1A9A2MP14	1112-0005	BALL MILL, 3/32"	17794	1
15	1A9A2MP15	1112-0006	BALL MILL, 1/8"	17794	1
16	1A9A2MP16	1112-0007	BALL MILL, 5/32"	17794	1
17	1A9A2MP17	1112-0008	BALL MILL, 3/16"	17794	1
		19 FIG 1 IIP (ISO NO. 047)		27552	
18	1A9A2MP18	1112-0061	SAW, 3/32", MOUNTED	17794	1
19	1A9A2MP19	1129-0004	ABRASIVE, 5/8" RED	17794	2
20	1A9A2MP20	1129-0003	ABRASIVE, 5/8" GREEN	17794	1
21	1A9A2MP21	1129-0001	ABRASIVE, 7/8" RED	17794	2
22	1A9A2MP22	1129-0002	ABRASIVE, 7/8" GREEN	17794	1
23	1A9A2MP23	1129-0007	BULLET WHEELS, RED	17794	3
24	1A9A2MP24	1129-0008	BULLET WHEELS, GREEN	17794	3
25	1A9A2MP25	1321-0070	HOLDING PINS	17794	6
26	1A9A2MP26	6019-0002	DRILL STAND	17794	1

DWG. NO: R6005-0013

REV: A EC NO: 3759 DATE: 3/4/94
AMENDED P/L FORMAT: 8/23/94

APP: 

TITLE: KIT, TOOL PACK, DELUXE

INDEX REFERENCE NO. PART NO. DESCRIPTION FSCM QTY

27 1A9A2MP27
28 1A9A2MP28

6019-0003
1317-0002

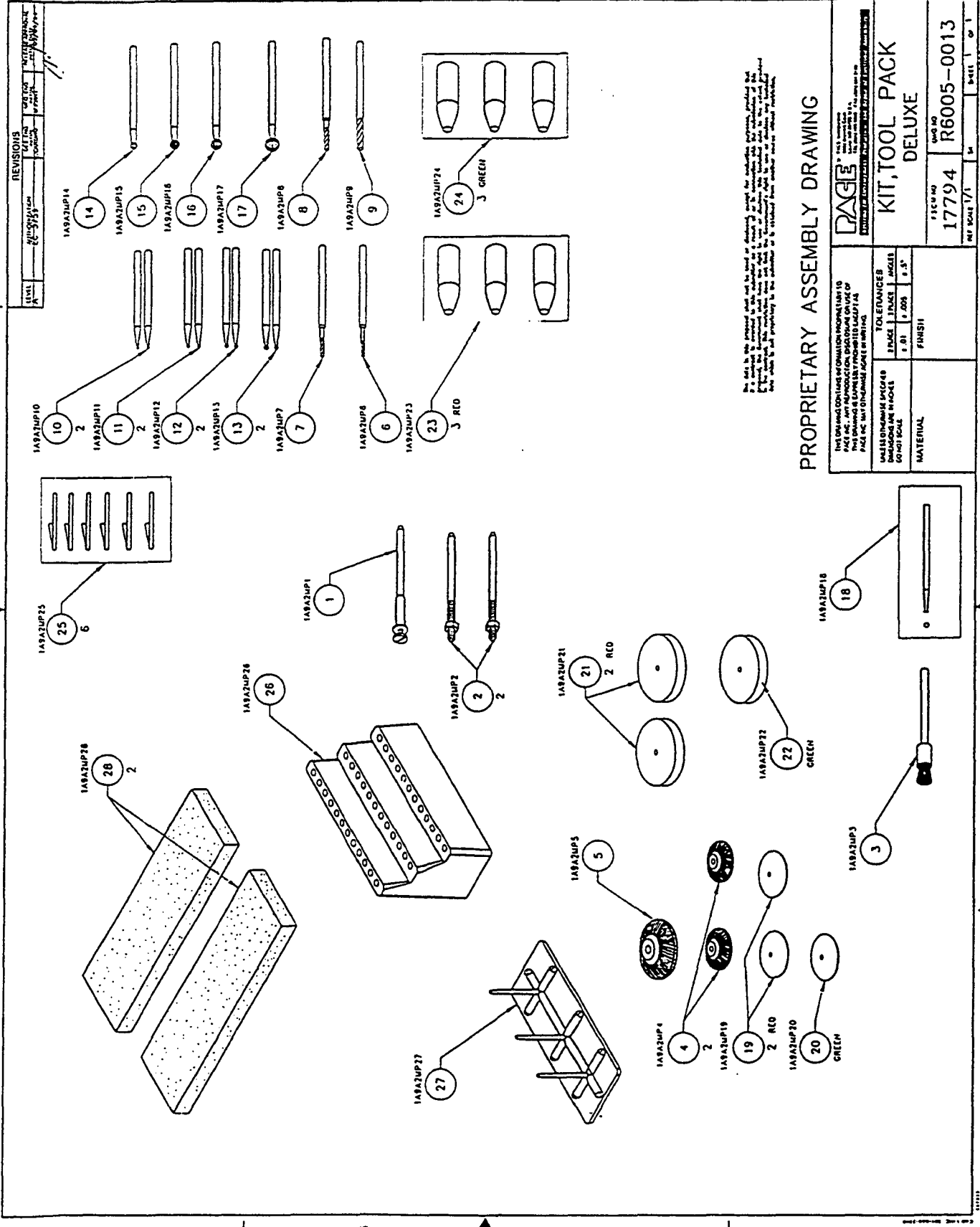
WHEEL STAND
FOAM PADS

17794
17794

1
2

BLANK

REV	DESCRIPTION	DATE	BY
1	INITIAL RELEASE		
2	REVISIONS		



THIS DRAWING IS THE PROPERTY OF THE COMPANY. IT IS TO BE KEPT IN CONFIDENCE AND NOT TO BE REPRODUCED OR TRANSMITTED IN ANY FORM OR BY ANY MEANS, ELECTRONIC OR MECHANICAL, INCLUDING PHOTOCOPYING, RECORDING, OR BY ANY INFORMATION STORAGE AND RETRIEVAL SYSTEM. THE COMPANY ASSUMES NO LIABILITY FOR DAMAGES OF ANY KIND, INCLUDING CONSEQUENTIAL DAMAGES, ARISING FROM THE USE OF THIS DRAWING. THE COMPANY ASSUMES NO LIABILITY FOR DAMAGES OF ANY KIND, INCLUDING CONSEQUENTIAL DAMAGES, ARISING FROM THE USE OF THIS DRAWING.

PROPRIETARY ASSEMBLY DRAWING

PAGE THIS DRAWING IS THE PROPERTY OF THE COMPANY. IT IS TO BE KEPT IN CONFIDENCE AND NOT TO BE REPRODUCED OR TRANSMITTED IN ANY FORM OR BY ANY MEANS, ELECTRONIC OR MECHANICAL, INCLUDING PHOTOCOPYING, RECORDING, OR BY ANY INFORMATION STORAGE AND RETRIEVAL SYSTEM. THE COMPANY ASSUMES NO LIABILITY FOR DAMAGES OF ANY KIND, INCLUDING CONSEQUENTIAL DAMAGES, ARISING FROM THE USE OF THIS DRAWING. THE COMPANY ASSUMES NO LIABILITY FOR DAMAGES OF ANY KIND, INCLUDING CONSEQUENTIAL DAMAGES, ARISING FROM THE USE OF THIS DRAWING.	
KIT, TOOL PACK DELUXE	
FIG. NO. 17794	PART NO. R6005-0013
SHEET NO. 1 OF 1	DATE 1993
TOLERANCES UNLESS OTHERWISE SPECIFIED: FRACTIONAL DIMENSIONS ± .005 DECIMAL DIMENSIONS ± .005 ANGLES ± .5°	FINISH
UNLESS OTHERWISE SPECIFIED, DIMENSIONS ARE IN INCHES, UNLESS OTHERWISE SPECIFIED.	MATERIAL



PROPRIETARY PARTS LIST

The data in this proposal shall not be used or disclosed, except for evaluation purposes, provided that if a contract is awarded to this submitter, as a result of or in connection with the submission of this proposal, the Government shall have the right to use or disclose this technical data to the extent provided in the contract. This restriction does not limit the Government's right to use or disclose any technical data which is not proprietary to the submitter or is obtained from another source without restriction.

DWG. NO: R7027-0001-PI

REV: A EC NO: 3759 DATE: 3/4/94

APP: 

TITLE: PIK-VAC, PV-65

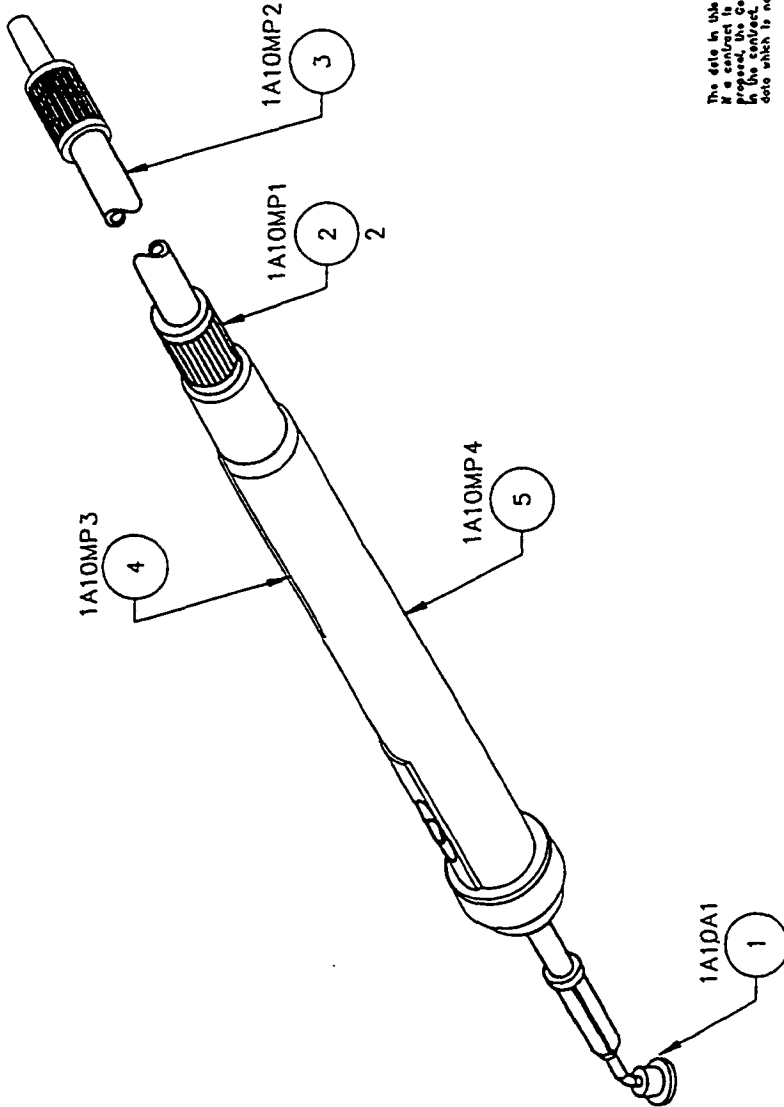
AMENDED P/L FORMAT: 8/23/94

B EC NO: 4366 DATE: 5/21/96

INDEX	REFERENCE NO.	PART NO.	DESCRIPTION	FSCM	QTY
REF					REF
1	1A10	7027-0001-P1	PIK-VAC, PV-65	17794	1
2	1A10A1	6993-0154	KIT, VACUUM CUP W/VAC. TIPS	17794	1
3	1A10MP1	1259-0087	DISCONNECT, QUICK CHANGE HOSE MT., MALE	17794	2
	1A10MP2	1342-0015-08	TUBING, SILICONE, BLACK, .125ID, 54 LG.	17794	1
		MS 70E00B		ZZZ	
4	1A10MP3	1351-0541	LABEL, PIK-VAC	17794	1
5	1A10MP4	7027-0001	HANDLE, PIK-VAC	17794	1

DWG NO. **B R 7027-0001-P1 B**

REVISIONS			
LEVEL	AUTHORIZATION	DES. ENG. INITIAL	RELEASE APPROVAL INITIAL
A	EC 3759	C.CARDNO	M.PANI 03/01/84
B	EC 4366	C.CARDNO	M.PANI 05/21/86



The data in this proposal shall not be used or disclosed, except for evaluation purposes, provided that if a contract is awarded to this submitter as a result of or in connection with the evaluation process, the Government shall have the right to use or disclose this technical data to the extent provided in the contract. This restriction does not limit the Government's right to use or disclose any technical data which is not proprietary to the submitter or is obtained from another source without restriction.

PROPRIETARY ASSEMBLY DRAWING

THIS DRAWING CONTAINS INFORMATION PROPRIETARY TO PAGE INC. ANY REPRODUCTION, DISCLOSURE OR USE OF THIS DRAWING IS EXPRESSLY PROHIBITED EXCEPT AS PAGE INC. MAY OTHERWISE AGREE IN WRITING.

PAGE INC. Incorporated
 10000 WILSON BLVD
 TEL: (703) 496-2600 FAX: (703) 496-2100
 Daytona Beach, Florida 32114, U.S.A.
 Division of Development, Production, and Repair of Firearms Assemblies.

UNLESS OTHERWISE SPECIFIED DIMENSIONS ARE IN INCHES. DO NOT SCALE.	TOLERANCES		
	2 PLACE	3 PLACE	ANGLES
	± .01	± .005	± .5°

PIK-VAK
PV-65

MATERIAL

F.S.C.M. NO. **17794** DWG. NO. **R7027-0001-P1**

REF. SCALE **1/1** SK SHEET **1** OF **1**



PROPRIETARY PARTS LIST

The data in this proposal shall not be used or disclosed, except for evaluation purposes, provided that if a contract is awarded to the submitter as a result of, or in connection with the submission of this proposal, the Government shall have the right to use or disclose this technical data to the extent provided in the contract. This restriction does not limit the Government's right to use or disclose any technical data which is not proprietary to the submitter or is obtained from another source without restriction.

DWG. NO: R6993-0154

REV: A EC NO: 3759 DATE: 3/4/94
 AMENDED P/L FORMAT: 8/23/94

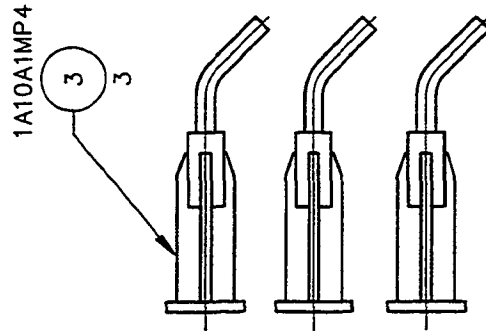
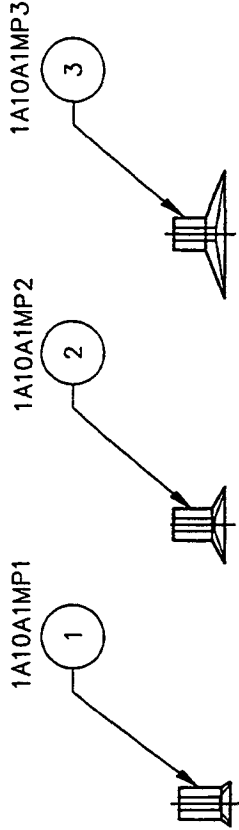
APP: *MA*

TITLE: KIT, VACUUM CUP W/VAC. TIPS

INDEX	REFERENCE NO.	PART NO.	DESCRIPTION	FSCM	QTY
1	1A10A1	6993-0154	KIT, VACUUM CUP W/VAC. TIPS	17794	1
2	1A10A1MP1	1121-0382	CUP, VACUUM, .175 DIA. X .197 HT.	17794	1
3	1A10A1MP2	1121-0383	CUP, VACUUM, .300 DIA. X .197 HT.	17794	1
4	1A10A1MP3	1121-0384	CUP, VACUUM, .500 DIA. X .197 HT.	17794	1
	1A10A1MP4	1121-0413	TIP, VACUUM, 45 DEGREE BEND, .60 ID, OLIVE	17794	3
		5114-45		0XU1:4	

DWG NO. **B R 6993 -- 0154** A

REVISIONS		DRAWING NO.	DATE	BY	APPROVAL
LEVEL	A	AUTHORIZATION	EC-3759	C. CARDNO	M. PAINT
					05/04/77



The data in this proposal shall not be used or disclosed, except for evaluation purposes, provided that if a contract is awarded to this submitter as a result of or in connection with the submission of this proposal, the Government shall have the right to use or disclose this technical data to the extent provided in the contract. This reservation does not limit the Government's right to use or disclose any technical data which is not proprietary to the submitter or is obtained from another source without restriction.

PROPRIETARY ASSEMBLY DRAWING

THIS DRAWING CONTAINS INFORMATION PROPRIETARY TO FACE INC. ANY REPRODUCTION, DISCLOSURE OR USE OF THIS DRAWING IS EXPRESSLY PROHIBITED EXCEPT AS FACE INC. MAY OTHERWISE AGREE IN WRITING.	RAGE <small>INC.</small> <small>FACE, Incorporated</small> <small>8803 Bowers Court</small> <small>Larve, MD 20723, U.S.A.</small> <small>TEL (301) 560-8660 FAX (301) 564-2160</small>		KIT VACUUM CUP W/VAC. TIPS	
	UNLESS OTHERWISE SPECIFIED DIMENSIONS ARE IN INCHES. DO NOT SCALE.		F.S.C.M. NO. 17794 DWG. NO. R6993-0154	
TOLERANCES 2 PLACE ±.01 3 PLACE ±.005 ANGLES ±.5°		REF. SCALE 2/1 SK SHEET -1 OF 1		
MATERIAL		FINISH		



PROPRIETARY PARTS LIST

The data in this proposal shall not be used or disclosed, except for evaluation purposes, provided that if a contract is awarded to this submitter as a result of or in connection with the submission of this proposal, the Government shall have the right to use or disclose this technical data to the extent provided in the contract. This restriction does not limit the Government's right to use or disclose any technical data which is not proprietary to the submitter or is obtained from another source without restriction.

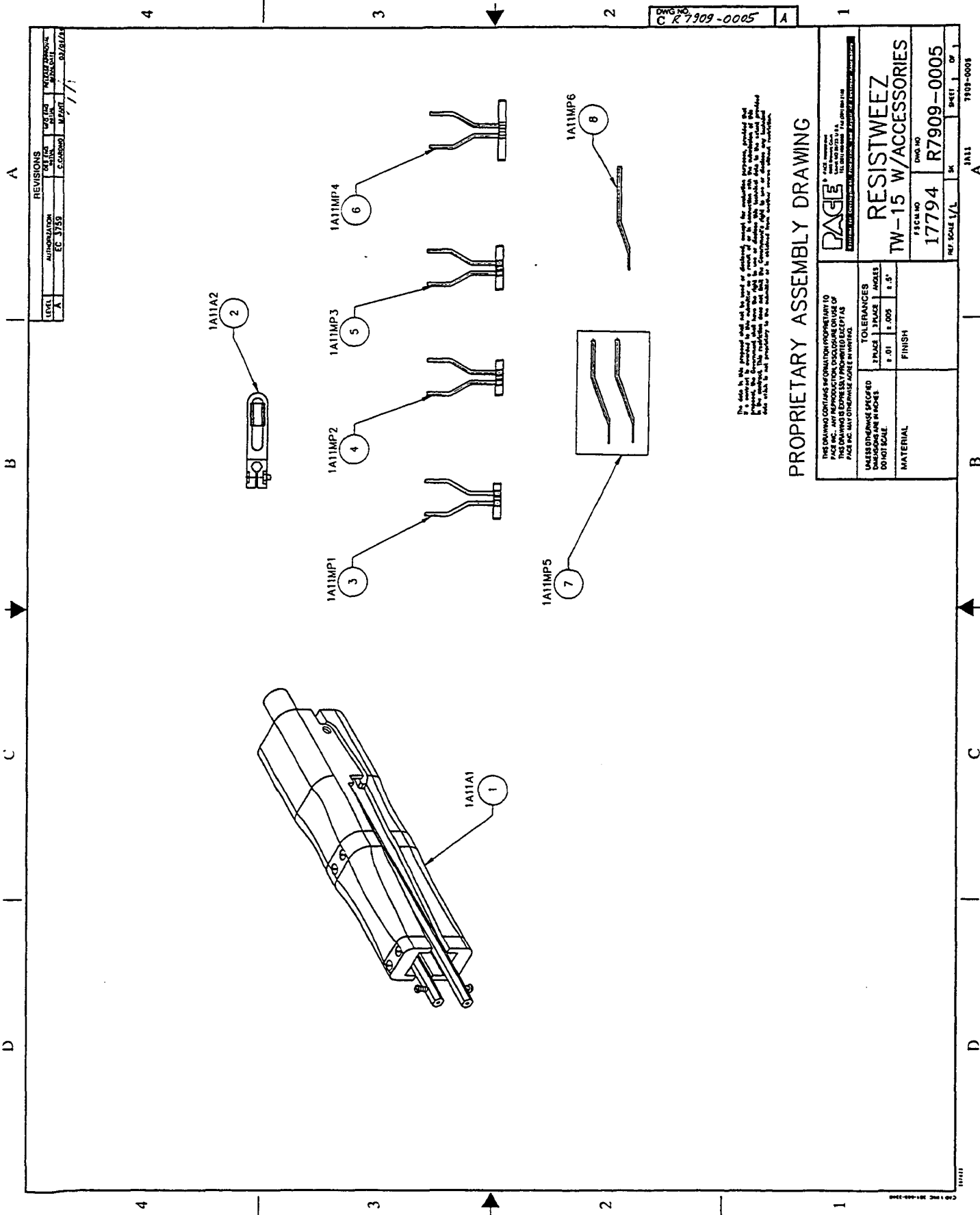
DWG. NO: R7909-0005

REV: A ECNO: 3759 DATE: 3/4/94
 AMENDED P/L FORMAT: 8/23/94

APP: 

TITLE: RESISTWEEZ, TW-15 W/ACCESSORIES

INDEX	REFERENCE NO.	PART NO.	DESCRIPTION	FSCM	QTY
REF	1A11	7909-0005	RESISTWEEZ, TW-15 W/ACCESSORIES	17794	REF
1	1A11A1	7009-0005	RESISTWEEZ, TW-15	17794	1
2	1A11A2	6993-0105	ASSY, GUIDE BLOCK	17794	1
3	1A11MP1	1121-0294-P1	TIP, TW, PLCC-18	17794	1
4	1A11MP2	1121-0295-P1	TIP, TW, PLCC-20	17794	1
5	1A11MP3	1121-0296-P1	TIP, TW, PLCC-28	17794	1
6	1A11MP4	1121-0297-P1	TIP, TW, PLCC-44	17794	1
7	1A11MP5	1121-0301-P1	TIP, TW, TAPERED, FLAT, PAIR	17794	1
8	1A11MP6	1121-0006-P2	TIP, TW, FLAT	17794	1



REVISIONS	DATE	BY	CHKD BY	APPROVED
LEVEL	EC 3/59	W/200	W/200	W/200
LEVEL				

DWG NO. C R 7909-0005

The data in this prepared and not be used or disclosed, except for the purposes of the contract, and the information contained herein is the property of the Company and is not to be distributed outside the Company. This restriction shall apply to all copies of this drawing, including those made for the purpose of the contract, and to all information derived therefrom. This restriction shall apply to all information derived therefrom, including that which is obtained from the Company or its subsidiaries, and to all information derived therefrom, including that which is obtained from the Company or its subsidiaries.

PROPRIETARY ASSEMBLY DRAWING

THIS DRAWING CONTAINS INFORMATION PROPRIETARY TO THE COMPANY AND IS NOT TO BE REPRODUCED OR TRANSMITTED IN ANY FORM OR BY ANY MEANS, ELECTRONIC OR MECHANICAL, INCLUDING PHOTOCOPYING, RECORDING, OR BY ANY INFORMATION STORAGE AND RETRIEVAL SYSTEM, WITHOUT THE WRITTEN PERMISSION OF THE COMPANY.		DAGLE ELECTRONIC CORPORATION 11111 11111 11111 11111 11111 11111 11111 11111 11111 11111	
MATERIAL RESISTWEEZ TW-15 W/ACCESSORIES		DWG NO. R7909-0005	
FINISH 17794		REF. SCALE 1/1	
TOLERANCES UNLESS OTHERWISE SPECIFIED DIMENSIONS IN INCHES DO NOT SCALE		FINISH 17794	
DIMENSIONS IN INCHES ±.01 ±.005 ±.01		REF. SCALE 1/1	



PROPRIETARY PARTS LIST

The data in this proposal shall not be used or disclosed, except for evaluation purposes, provided that if a contract is awarded to this submitter as a result of or in connection with the submission of this proposal, the Government shall have the right to use or disclose this technical data to the extent provided in the contract. This restriction does not limit the Government's right to use or disclose any technical data which is not proprietary to the submitter or is obtained from another source without restriction.

DWG. NO: R7009-0005

REV: A EC NO: 3759 DATE: 3/4/94
 AMENDED P/L FORMAT: 8/23/94

APP: *[Signature]*

TITLE: RESISTWEEZ, TW-15

INDEX	REFERENCE NO.	PART NO.	DESCRIPTION	FSCM	QTY
REF					REF
1	1A11A1 1A11A1H1	7009-0005 1405-0029 GENERIC	RESISTWEEZ, TW-15 SCREW, BINDER HD., #6-32 X 3/8" LG.	17794 17794 ZZZ	1
2	1A11A1H2	1221-0026 7X9-1W027704	WASHER, SPRING, CURVED	17794 59076	1
3A	1A11A1H3	1405-0198 GENERIC	SCREW, FIL.HD., #2-56 X 9/32" LG.	17794 ZZZ	2
3B	1A11A1H4	1405-0198 GENERIC	SCREW, FIL.HD., #2-56 X 9/32" LG.	17794 ZZZ	2
4A	1A11A1H5	1405-0182 GENERIC	SCREW, FIL.HD., #2-56 X 5/32" LG.	17794 ZZZ	1
4B	1A11A1H6	1405-0182 GENERIC	SCREW, FIL.HD., #2-56 X 5/32" LG.	17794 ZZZ	1
5	1A11A1MP1	1119-0060	HANDLE, WITH CONNECTOR	17794	1
6A	1A11A1MP2	1261-0035	BRASS ROD	17794	1
6B	1A11A1MP3	1261-0035	BRASS ROD	17794	1
7	1A11A1MP4	1119-0015	HANDLE ADJUSTMENT BLOCK	17794	1
8	1A11A1MP5	1275-0002	HINGE PIVOT ROD	17794	1
9	1A11A1MP6	1221-0034 LC-026B-12	SPRING, COMPRESSION	17794 84830	1
10A	1A11A1MP7	1289-0015 P-221	TAPE, KAPTON, 1MIL. THK. X3/8"W(1 PC.@.75"LG.)	17794 ZZZ	0.75
10B	1A11A1MP8	1289-0015 P-221	TAPE, KAPTON, 1MIL. THK. X3/8"W(1 PC.@.75"LG.)	17794 ZZZ	0.75
10C	1A11A1MP9	1289-0015 P-221	TAPE, KAPTON, 1MIL. THK. X3/8"W(1 PC.@.50"LG.)	17794 ZZZ	0.50
10D	1A11A1MP10	1289-0015 P-221	TAPE, KAPTON, 1MIL. THK. X3/8"W(1 PC.@.50"LG.)	17794 ZZZ	0.50

DWG. NO: R7009-0005

REV: A EC NO: 3759 DATE: 3/4/94
AMENDED P/L FORMAT: 8/23/94

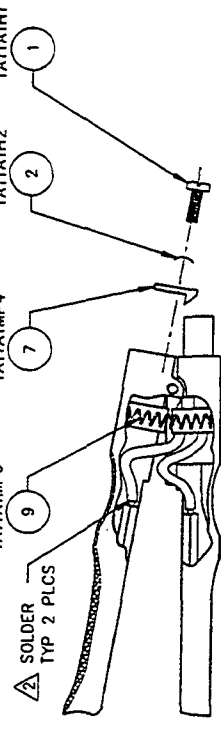
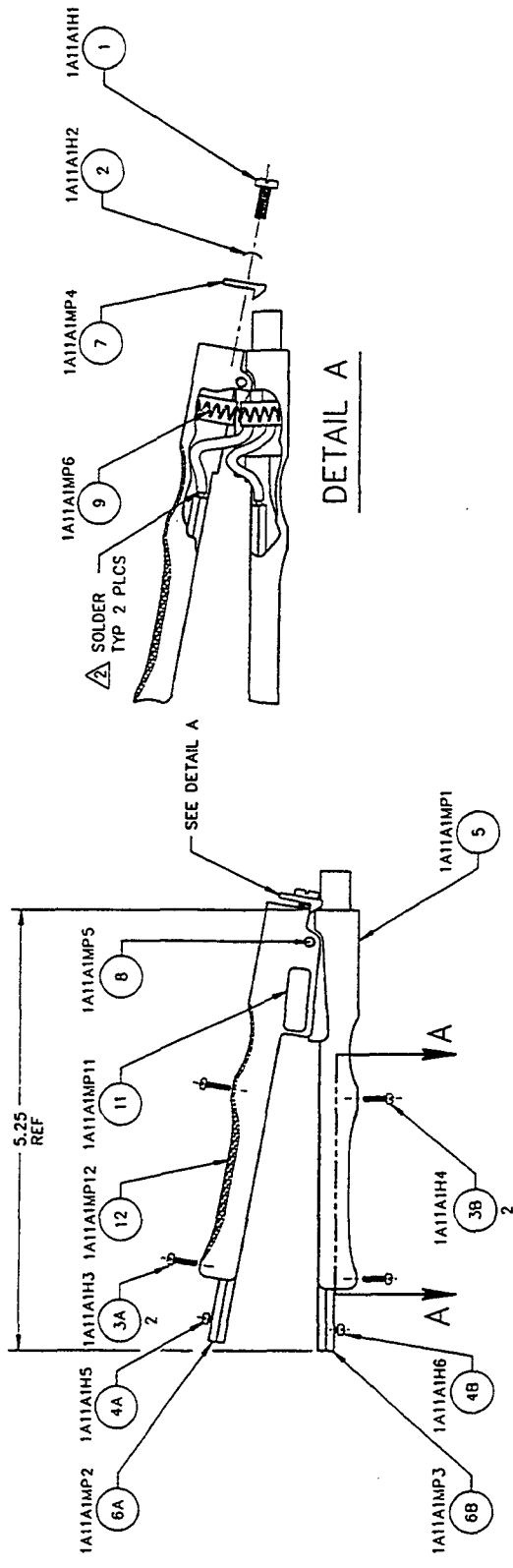
APP: *M*

TITLE: RESISTWEEZ, TW-15

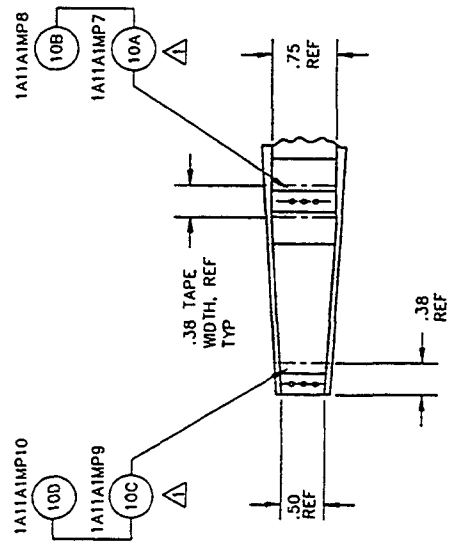
INDEX	REFERENCE NO.	PART NO.	DESCRIPTION	FSCM	QTY
11	1A11A1MP11	1351-0211	LABEL, RESISTWEEZ	17794	1
12	1A11A1MP12	1119-0059	HANDLE, WITH INSERT	17794	1

BLANK

REVISIONS	DATE	BY	REASON FOR CHANGE
LEVEL A	11/11/74	EC	UPGRADE
LEVEL B			
LEVEL C			
LEVEL D			



DETAIL A



SECTION A-A

- NOTES:
- △ AFTER INSTALLING TAPE (ITEMS 10A, B, C, D), PUNCH THROUGH TAPE USING A SHARP POINT TOOL WHERE SCREWS ARE TO BE INSERTED
 - △ SOLDER CONNECTOR WIRES INTO HEX RODS (ITEMS 6A, B) PRIOR TO ASSEMBLING INTO HANDLE

This drawing contains information proprietary to PAGE INC. ANY REPRODUCTION, DISCLOSURE OR USE OF THIS DRAWING WITHOUT THE WRITTEN PERMISSION OF PAGE INC. WILL BE PROSECUTED TO THE FULL EXTENT OF THE LAW.

PROPRIETARY ASSEMBLY DRAWING

PAGE INC. 10000 10000 10000		RESISTWEEZ TW-15	
ESCH NO	DWG NO	REV	SCALE
17794	R7009-0005		
TOLERANCES		FINISH	
UNLESS OTHERWISE SPECIFIED	UNLESS OTHERWISE SPECIFIED		
DO NOT SOLE	DO NOT SOLE		
± .01	± .005		
± .01	± .5°		



PROPRIETARY PARTS LIST

The data in this proposal shall not be used or disclosed, except for evaluation purposes, provided that if a contract is awarded to this submitter as a result of or in connection with the submission of this proposal, the Government shall have the right to use or disclose this technical data to the extent provided in the contract. This restriction does not limit the Government's right to use or disclose any technical data which is not proprietary to the submitter or is obtained from another source without restriction.

DWG. NO: R6993-0105

REV: A EC NO: 3759 DATE: 3/4/94
AMENDED P/L FORMAT: 8/23/94

APP: 

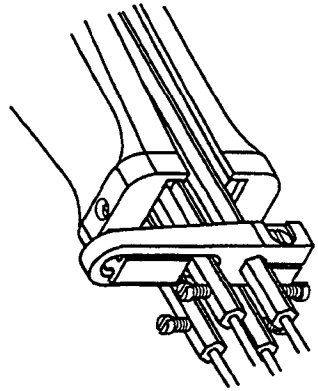
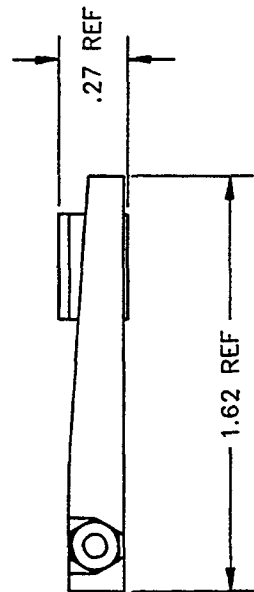
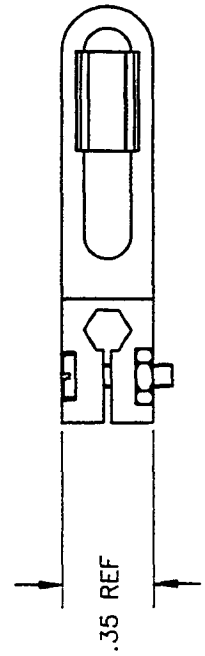
TITLE: ASSY, GUIDE BLOCK

INDEX	REFERENCE NO.	PART NO.	DESCRIPTION	FSCM	QTY
-------	---------------	----------	-------------	------	-----

REF	1A11A2 1A14A2	6993-0105	ASSY, GUIDE BLOCK	17794	REF
-----	------------------	-----------	-------------------	-------	-----

DWG. NO. **B R 6993-0105** **A**

REVISIONS			
LEVEL	AUTHORIZATION	DES. ENG. INITIAL	RELEASE APPROVAL INITIALS/DATE
A	EC-3758	C. CARDONO	M. PANT 3/4/8



The data in this proposal shall not be used or disclosed, except for evaluation purposes, provided that if a contract is awarded to this submitter, as a result of or in connection with the submission of this proposal, the Government shall have the right to download, copy, reproduce, disseminate, and otherwise use the data which is not proprietary to the submitter or is obtained from another source without restriction.

PROPRIETARY ASSEMBLY DRAWING

THIS DRAWING CONTAINS INFORMATION PROPRIETARY TO PACE INC. ANY REPRODUCTION, DISCLOSURE OR USE OF THIS DRAWING IS EXPRESSLY PROHIBITED EXCEPT AS PACE INC. MAY OTHERWISE AGREE IN WRITING.	PAGE ^(C) <small>PAGE Incorporated 9803 Brandy Court Laurel, MD 20723, U.S.A. TEL: (410) 486-8600 FAX: (410) 486-2100</small>		Systems for Development, Production, and Repair of Airframe Assemblies							
	ASSEMBLY GUIDE BLOCK		F.S.C.M. NO. 17794	DWG. NO. R6993-0105						
UNLESS OTHERWISE SPECIFIED DIMENSIONS ARE IN INCHES. DO NOT SCALE.	TOLERANCES <table border="1"> <tr> <td>2 PLACE</td> <td>3 PLACE</td> <td>ANGLES</td> </tr> <tr> <td>±.01</td> <td>±.005</td> <td>±.5°</td> </tr> </table>		2 PLACE	3 PLACE	ANGLES	±.01	±.005	±.5°	REF. SCALE 1/1	SK SHEET . 1 OF 1
2 PLACE	3 PLACE	ANGLES								
±.01	±.005	±.5°								
MATERIAL	FINISH									



PROPRIETARY PARTS LIST

The data in this proposal shall not be used or disclosed, except for evaluation purposes, provided that if a contract is awarded to this submitter as a result of or in connection with the submission of this proposal, the Government shall have the right to use or disclose this technical data to the extent provided in the contract. This restriction does not limit the Government's right to use or disclose any technical data which is not proprietary to the submitter or is obtained from another source without restriction.

DWG. NO: R7012-0002-P1

REV: A EC NO: 3759 DATE: 3/4/94
 APP: *Ad*
 AMENDED P/L FORMAT: 8/23/94

TITLE: STRIPTWEEZ HANDPIECE, TS-15

INDEX	REFERENCE NO.	PART NO.	DESCRIPTION	FSCM	QTY
REF					
1A	1A12 1A12H1	7012-0002-P1 1405-0005 GENERIC	STRIPTWEEZ HANDPIECE, TS-15 SCREW, BINDER HD., #2-56 X 3/8"LG.	17794 17794 ZZZ	1 1
1B	1A12H2	1405-0005 GENERIC	SCREW, BINDER HD., #2-56 X 3/8"LG.	17794 ZZZ	2
2A	1A12H3	1405-0106 GENERIC	SCREW, SEMS., #2-56 X 3/16"LG.	17794 ZZZ	4
2B	1A12H4	1405-0106 GENERIC	SCREW, SEMS., #2-56 X 3/16" LG.	17794 ZZZ	4
3	1A12H5	1405-0029 GENERIC	SCREW, BINDER HD., #6-32 X 3/8"LG.	17794 ZZZ	1
4	1A12H6	1221-0026 7X9-1W027704	SPRING WASHER, CURVED	17794 \$9076	1
5A	1A12H7	1405-0198 GENERIC	SCREW, FIL.HD., #2-56 X 9/32"LG.	17794 ZZZ	4
5B	1A12H8	1405-0198 GENERIC	SCREW, FIL.HD., #2-56 X 9/32"LG.	17794 ZZZ	4
6	1A12MP1	1119-0058	HANDLE, WITH CONNECTOR	17794	1
7A	1A12MP2	1261-0007	BRASS ROD	17794	2
7B	1A12MP3	1261-0007	BRASS ROD	17794	2
8A	1A12MP4	4012-0005	STOP BLOCK	17794	1
8B	1A12MP5	4012-0005	STOP BLOCK	17794	2
9	1A12MP6	1119-0015	HANDLE ADJUSTMENT BLOCK	17794	1
10	1A12MP7	1275-0002	HINGE PIVOT ROD	17794	1
11A	1A12MP8	1289-0015 P-221	TAPE, KAPTON, 1MIL. THK. X3/8"W(1 PC.@.75"LG.)	17794 ZZZ	0.75
11B	1A12MP9	1289-0015 P-221	TAPE, KAPTON, 1MIL. THK. X3/8"W(1 PC.@.75"LG.)	17794 ZZZ	0.75

DWG. NO: R7012-0002-P1

REV: A EC NO: 3759 DATE: 3/4/94
AMENDED P/L FORMAT: 8/23/94

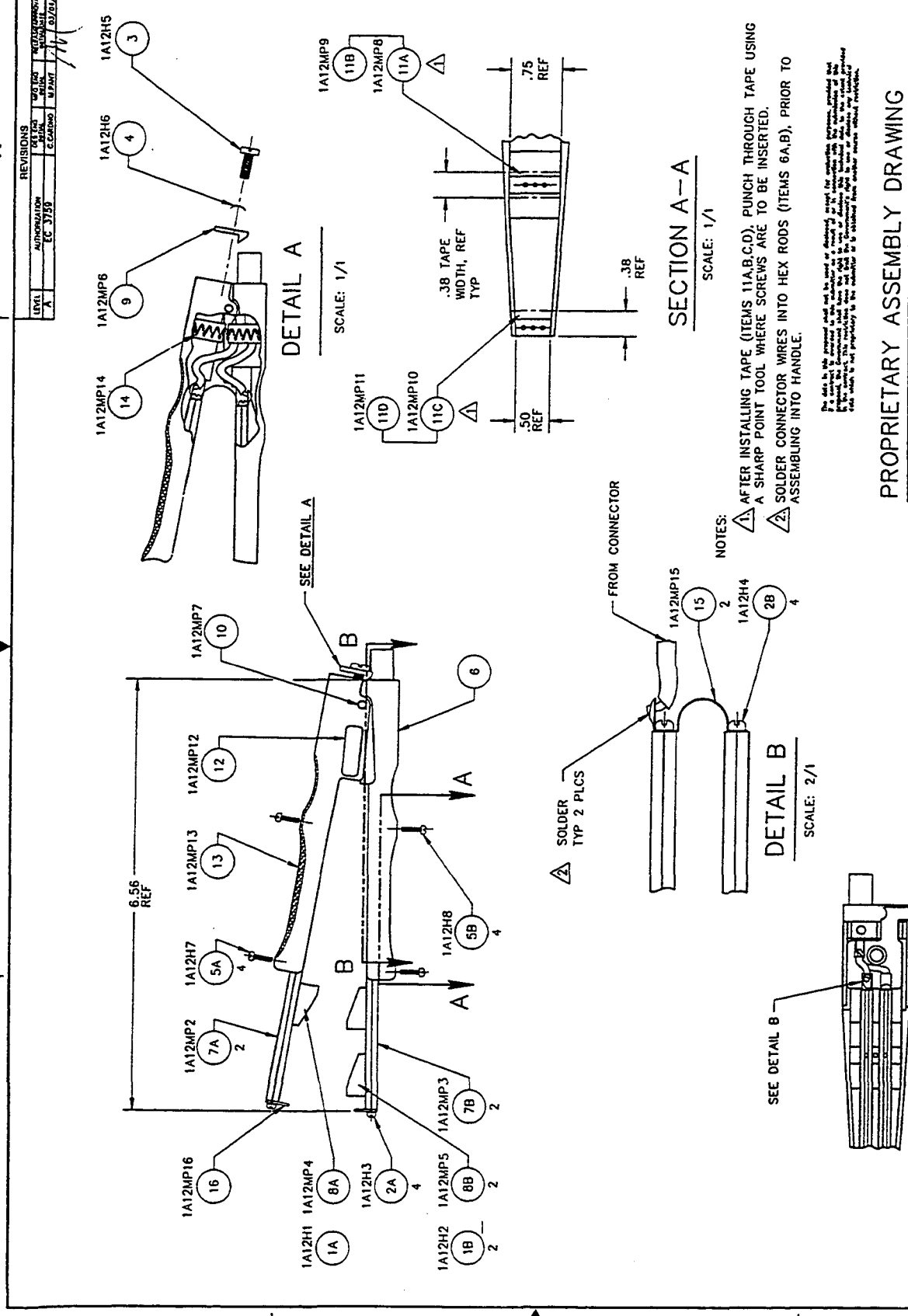
APP: *M*

TITLE: STRIPTWEEZ HANDPIECE, TS-15

INDEX	REFERENCE NO.	PART NO.	DESCRIPTION	FSCM	QTY
11C	1A12MP10	1289-0015 P-221	TAPE, KAPTON, 1MIL.THK.X3/8"W(1 PC.@.50"LG.)	17794 ZZZ	0.50
11D	1A12MP11	1289-0015 P-221	TAPE, KAPTON, 1MIL.THK.X3/8"W(1 PC.@.50"LG.)	17794 ZZZ	0.50
12	1A12MP12	1351-0210	LABEL, STRIPTWEEZ	17794	1
13	1A12MP13	1119-0019	HANDLE, WITH INSERT	17794	1
14	1A12MP14	1221-0021	SPRING, COMPRESSION	17794	1
15	1A12MP15	1221-0032	CONDUCTOR SPRING	17794	2
16	1A12MP16	1121-0003-P2	BLADE, TS, STRIPPER	17794	1

BLANK

LEVEL	REVISIONS	DATE	BY	APPROVED
A	1	03/07/91	EC	EC



DETAIL A
SCALE: 1/1

SECTION A-A
SCALE: 1/1

DETAIL B
SCALE: 2/1

SECTION B-B
SCALE: 1/1

- NOTES:
- 1. AFTER INSTALLING TAPE (ITEMS 11A,B,C,D), PUNCH THROUGH TAPE USING A SHARP POINT TOOL WHERE SCREWS ARE TO BE INSERTED.
 - 2. SOLDER CONNECTOR WIRES INTO HEX RODS (ITEMS 6A,B), PRIOR TO ASSEMBLING INTO HANDLE.

This data is the property of RAGB and is not to be used or disclosed in any form without the written consent of RAGB. The drawings are the property of RAGB and are not to be used or disclosed in any form without the written consent of RAGB. This drawing is the property of RAGB and is not to be used or disclosed in any form without the written consent of RAGB.

PROPRIETARY ASSEMBLY DRAWING

THIS DRAWING CONTAINS INFORMATION PROPRIETARY TO RAGB AND IS NOT TO BE USED OR DISCLOSED IN ANY FORM WITHOUT THE WRITTEN CONSENT OF RAGB. THIS DRAWING IS THE PROPERTY OF RAGB AND IS NOT TO BE USED OR DISCLOSED IN ANY FORM WITHOUT THE WRITTEN CONSENT OF RAGB.

UNLESS OTHERWISE SPECIFIED	TOLERANCES
FINISH	SPACE SPACE ANGLES
± .01	± .005
± .5°	

RAGB	
STRIP TWEEZERS	
HANDPIECE, TS-15	
ITEM NO	17794
DWG. NO	R7012-0002-P1
REV. SCALE	1/1
SHEET	1 OF 1



PROPRIETARY PARTS LIST

The data in this proposal shall not be used or disclosed, except for evaluation purposes, provided that if a contract is awarded to this submitter as a result of or in connection with the submission of this proposal, the Government shall have the right to use or disclose this technical data to the extent provided in the contract. This restriction does not limit the Government's right to use or disclose any technical data which is not proprietary to the submitter or is obtained from another source without restriction.

DWG. NO: R7913-0004-02

REV: A EC NO: 3759 DATE: 3/4/94
AMENDED P/L FORMAT: 8/23/94

APP:

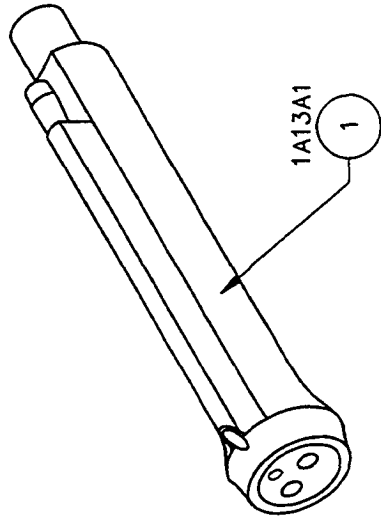
M

TITLE: LAFLO, LF-15 W/ACCESSORIES

INDEX	REFERENCE NO.	PART NO.	DESCRIPTION	FSCM	QTY
REF	1A13	7913-0004-02	LAPFLO, LF-15 W/ACCESSORIES	17794	REF
1	1A13A1	7013-0004-02	LAPFLO, LF-15	17794	1
2	1A13MP1	6000-0008	TIP, SINGLE POINT, LAPFLO	17794	1
3	1A13MP2	6000-0009	TIP, THERMOPART REMOVAL	17794	1
4	1A13MP3	1121-0300-P1	TIP, LF, MULTIPOINT, .44	17794	1
5	1A13MP4	1121-0298-P1	TIP, LF, MULTIPOINT SMD, .270	17794	1
6	1A13MP5	1121-0299-P1	TIP, LF, MULTIPOINT SMD, .540	17794	1

DWG NO. B

REVISIONS		DES. ENGR.	INITIAL	DATE	RELEASE APPROVAL
LEVEL	A	AUTHORIZATION	EC 3759	C.CARDNO	03/04/84
				M.PANT	



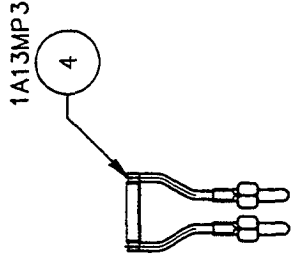
1A13A1 (1)



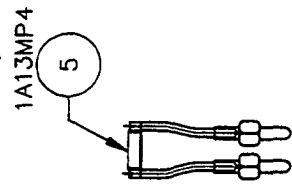
1A13MP1 (2)



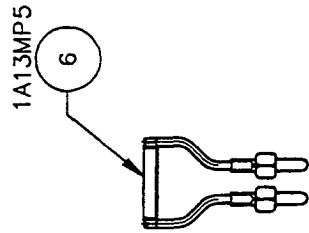
1A13MP2 (3)



1A13MP3 (4)



1A13MP4 (5)



1A13MP5 (6)

The data in this proposal shall not be used or disclosed, except for evaluation purposes, provided that if a contract is awarded to this submitter as a result of or in connection with the submission of this proposal, the Government shall have the right to use or disclose this technical data to the extent provided in the contract. The Government shall have the right to reproduce, to use or disclose any technical data which is not proprietary to the submitter or is obtained from another source without restriction.

PROPRIETARY ASSEMBLY DRAWING

THIS DRAWING CONTAINS INFORMATION PROPRIETARY TO PACE INC. ANY REPRODUCTION, DISCLOSURE OR USE OF THIS DRAWING IS EXPRESSLY PROHIBITED EXCEPT AS PACE INC. MAY OTHERWISE AGREE IN WRITING.

RAGE PACE, Incorporating
 8883 Stevens Court
 Local J10 2072, U.S.A.
 Tel: (201) 528-2800 Fax: (201) 528-2100
 System for development, Production, and Repair of Electronic Assemblies

UNLESS OTHERWISE SPECIFIED DIMENSIONS ARE IN INCHES. DO NOT SCALE.	TOLERANCES	
	2 PLACE	3 PLACE
	± .01	± .005
	ANGLES ± .5°	

MATERIAL FINISH

LAPFLO
LF-15 W/ACCESSORIES

F.S.C.M. NO. 17794
 DWG. NO. R7913-0004-02

REF. SCALE 1/1 SK SHEET OF



PROPRIETARY PARTS LIST

The data in this proposal shall not be used or disclosed, except for evaluation purposes, provided that if a contract is awarded to this submitter as a result of or in connection with the submission of this proposal, the Government shall have the right to use or disclose this technical data to the extent provided in the contract. This restriction does not limit the Government's right to use or disclose any technical data which is not proprietary to the submitter or is obtained from another source without restriction.

DWG. NO: R7013-0004-02

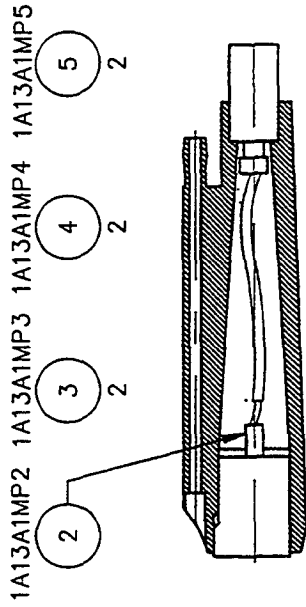
REV: A EC NO: 3759 DATE: 3/4/94 APP: *AM*
AMENDED P/L FORMAT: 8/23/94

TITLE: LAFLO, LF-15

INDEX	REFERENCE NO.	PART NO.	DESCRIPTION	FSCM	QTY
REF	1A13A1	7013-0004-02	LAFLO, LF-15	17794	REF
1	1A13A1MP1	1119-0070	HANDLE	17794	1
2	1A13A1MP2	1321-0018	CONTACT HOLDER	17794	1
3	1A13A1MP3	1207-0016	RECEPTACLE	17794	2
4	1A13A1MP4	1215-0010	SPACERS	17794	2
5	1A13A1MP5	1221-0031	SPRING,C	17794	2
6	1A13A1MP6	1351-0214	LABEL, LAFLO	17794	1

DWG NO.
B

REVISIONS		WFO. ENO. INITIAL	RELEASE APPROVAL INITIAL/DATE
LEVEL	AUTHORIZATION	DES. ENO. INITIAL	
A	EC-3759	C. CARDNO	M. PANT 03/08/94



SECTION A-A

The data in this proposal shall not be used or disclosed, except for evaluation purposes, provided that if a contract is awarded to this submitter as a result of or in connection with the submission of this proposal, the Government shall have the right to use or disclose this technical data to the extent provided in the contract. This restriction does not limit the Government's right to use or disclose any technical data which is not proprietary to the submitter or is obtained from another source without restriction.

PROPRIETARY ASSEMBLY DRAWING

THIS DRAWING CONTAINS INFORMATION PROPRIETARY TO PACE INC. ANY REPRODUCTION, DISCLOSURE OR USE OF THIS DRAWING IS EXPRESSLY PROHIBITED EXCEPT AS PACE INC. MAY OTHERWISE AGREE IN WRITING.		PAGE <small>PACE, Incorporated 14244 MD 20723, U.S.A. TEL (301) 490-8660 FAX (301) 490-2140 Systems for Development, Production, and Repair of Electronic Assemblies</small>	
UNLESS OTHERWISE SPECIFIED DIMENSIONS ARE IN INCHES. DO NOT SCALE.		LAPFLO (LF-15)	
MATERIAL		F.S.C.M. NO. 17794	
FINISH		DWG. NO. R7013-0004-02	
TOLERANCES 2 PLACE 3 PLACE ANGLES $\pm .01$ $\pm .005$ $\pm .5^\circ$		REF. SCALE 1/1 SK	
		SHEET 1 OF	



PROPRIETARY PARTS LIST

The data in this proposal shall not be used or disclosed, except for evaluation purposes, provided that if a contract is awarded to this submitter as a result of or in connection with the submission of this proposal, the Government shall have the right to use or disclose this technical data to the extent provided in the contract. This restriction does not limit the Government's right to use or disclose any technical data which is not proprietary to the submitter or is obtained from another source without restriction.

DWG. NO: R7920-0001

REV: A EC NO: 3759 DATE: 3/4/94
 AMENDED P/L FORMAT: 8/23/94

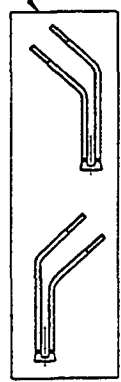
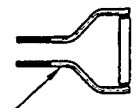
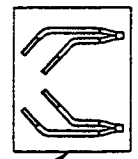
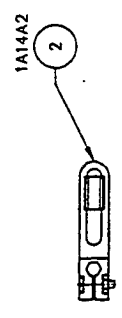
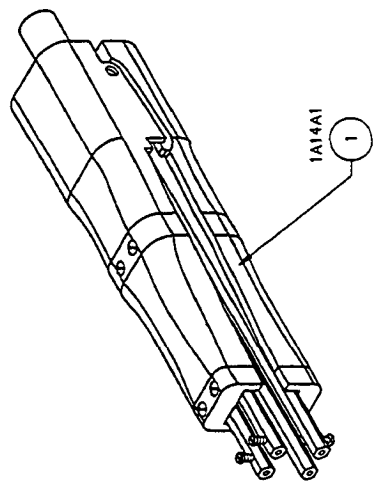
APP: *M*

TITLE: CONDUCTWEEZ HANDPIECE, CT-15 W/ACC.

INDEX	REFERENCE NO.	PART NO.	DESCRIPTION	FSCM	QTY
REF	1A14	7920-0001	CONDUCTWEEZ HANDPIECE, CT-15 W/ACC.	17794	REF
1	1A14A1	7020-0001	CONDUCTWEEZ HANDPIECE, CT-15	17794	1
2	1A14A2	6993-0105	ASSY, GUIDE BLOCK	17794	1
3	1A14MP1	1121-0286-P1	TIP, CT, .080 CHISEL, SET	17794	1
4	1A14MP2	1121-0271-P1	TIP, CT, SMD, .480, PAIR	17794	1
5	1A14MP3	1121-0270-P1	TIP, CT, SMD, .600, PAIR	17794	1
6	1A14MP4	1121-0293-P1	TIP, CT, SOIC 24/28, PAIR	17794	1
7	1A14MP5	1121-0269-P1	TIP, CT, SMD .210, SET	17794	1

A B C D

REVISIONS		DATE	BY	DESCRIPTION
1	A	11/11	EC	37753
AUTOMATICALLY GENERATED		DATE	BY	DESCRIPTION
E-CAD		11/11	EC	37753



The data in this document shall not be used or disclosed, except for customer inquiries, provided that the customer has entered into a contract with the manufacturer of the product. The manufacturer shall not be held responsible for any errors or omissions in this document. This document is the property of the manufacturer and is loaned to the customer under license. All rights reserved.

PROPRIETARY ASSEMBLY DRAWING

<p>THIS DRAWING CONTAINS INFORMATION PROPRIETARY TO PAGE INC. ANY REPRODUCTION, DISCLOSURE OR USE OF THIS DRAWING IS EXPRESSLY PROHIBITED EXCEPT AS AUTHORIZED BY PAGE INC. IN WRITING.</p>		<p>PAGE <small>INCORPORATED</small> 111111 111111 111111</p>	
<p>UNLESS OTHERWISE SPECIFIED DIMENSIONS ARE IN INCHES DO NOT SCALE</p>		<p>CONDUCTWEEZ HANDPIECE CT-15 W/ACCESSORIES</p>	
<p>TOLERANCES FINISH</p>		<p>FIG. NO. R7920-0001</p>	
<p>FINISH</p>		<p>REF. SCALE: 1/1</p>	
<p>MATERIAL</p>		<p>SHEET: 1 OF 1</p>	

1 2 3 4



PROPRIETARY PARTS LIST

The data in this proposal shall not be used or disclosed, except for evaluation purposes, provided that if a contract is awarded to this submitter as a result of or in connection with the submission of this proposal, the Government shall have the right to use or disclose this technical data to the extent provided in the contract. This restriction does not limit the Government's right to use or disclose any technical data which is not proprietary to the submitter or is obtained from another source without restriction.

DWG. NO: R7020-0001

REV: A EC NO: 3759 DATE: 3/4/94
 AMENDED P/L FORMAT: 8/23/94

APP: 

TITLE: CONDUCTWEEZ HANDPIECE, CT-15

INDEX	REFERENCE NO.	PART NO.	DESCRIPTION	FSCM	QTY
REF					REF
1	1A14A1 1A14A1H1	7020-0001 1221-0026 7X9-1W027704	CONDUCTWEEZ HANDPIECE, CT-15 WASHER, SPRING, CURVED	17794 17794 59076	1
2	1A14A1H2	1405-0029 GENERIC	SCREW, BINDER HD., #6-32 X 3/8" LG.	17794 ZZZ	1
3A	1A14A1H3	1405-0182 GENERIC	SCREW, FIL.HD., #2-56 X 5/32" LG.	17794 ZZZ	2
3B	1A14A1H4	1405-0182 GENERIC	SCREW, FIL.HD., #2-56 X 5/32" LG.	17794 ZZZ	2
4A	1A14A1H5	1405-0198 GENERIC	SCREW, FIL.HD., #2-56 X 9/32" LG.	17794 ZZZ	4
4B	1A14A1H6	1405-0198 GENERIC	SCREW, FIL.HD., #2-56 X 9/32" LG.	17794 ZZZ	4
5A	1A14A1H7	1405-0106 GENERIC	SCREW, SEMS, #2-56 X 3/16" LG.	17794 ZZZ	2
5B	1A14A1H8	1405-0106 GENERIC	SCREW, SEMS, #2-56 X 3/16" LG.	17794 ZZZ	2
6	1A14A1MP1	1119-0058	HANDLE WITH CONNECTOR	17794	1
7	1A14A1MP2	1119-0015	HANDLE ADJUSTMENT BLOCK	17794	1
8	1A14A1MP3	1275-0002	HINGE PIVOT ROD	17794	1
9A	1A14A1MP4	1261-0021	BRASS ROD	17794	2
9B	1A14A1MP5	1261-0021	BRASS ROD	17794	2
10	1A14A1MP6	1221-0032	SPRING CONDUCTOR	17794	2
11	1A14A1MP7	1221-0021	SPRING, COMPRESSION	17794	1
12	1A14A1MP8	1351-0212	LABEL, CONDUCTWEEZ	17794	1

DWG. NO: R7020-0001

REV: A EC NO: 3759 DATE: 3/4/94
AMENDED P/L FORMAT: 8/23/94

APP: *[Signature]*

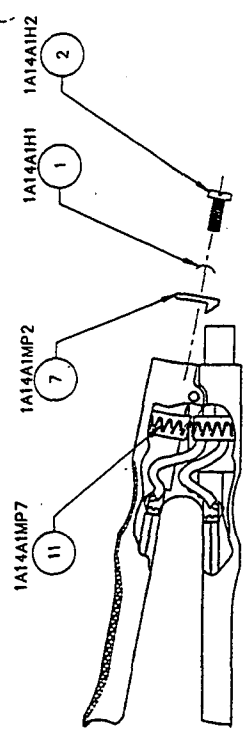
TITLE: CONDUCTWEEZ HANDPIECE, CT-15

INDEX	REFERENCE NO.	PART NO.	DESCRIPTION	FSCM	QTY
13A	1A14A1MP9	1289-0015 P-221	TAPE, KAPTON, 1MIL.THK.X3/8"W(1 PC.@.75"LG.)	17794 ZZZ	0.75
13B	1A14A1MP10	1289-0015 P-221	TAPE, KAPTON, 1MIL.THK.X3/8"W(1 PC.@.75"LG.)	17794 ZZZ	0.75
13C	1A14A1MP11	1289-0015 P-221	TAPE, KAPTON, 1MIL.THK.X3/8"W(1 PC.@.50"LG.)	17794 ZZZ	0.50
13D	1A14A1MP12	1289-0015 P-221	TAPE, KAPTON, 1MIL.THK.X3/8"W(1 PC.@.50"LG.)	17794 ZZZ	0.50
14	1A14A1MP13	1119-0019	HANDLE, WITH INSERT	17794	1

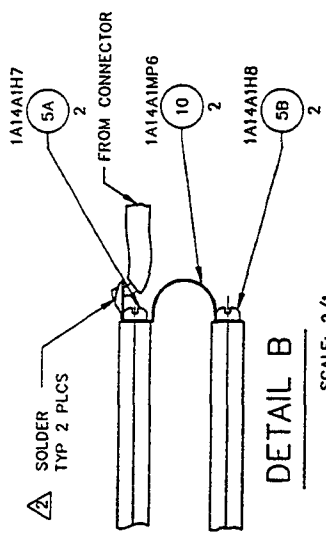
BLANK

4 3 2 1

LEVEL	REVISIONS	DATE	BY	APPROVED
A	1	07/20/00	ELC	ELC



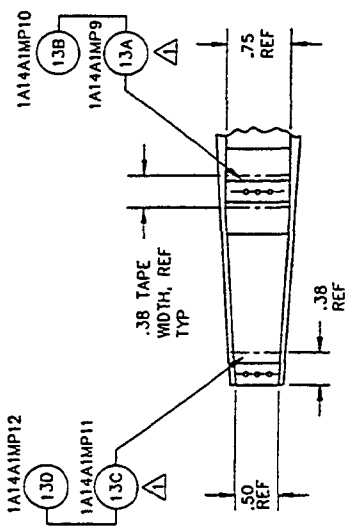
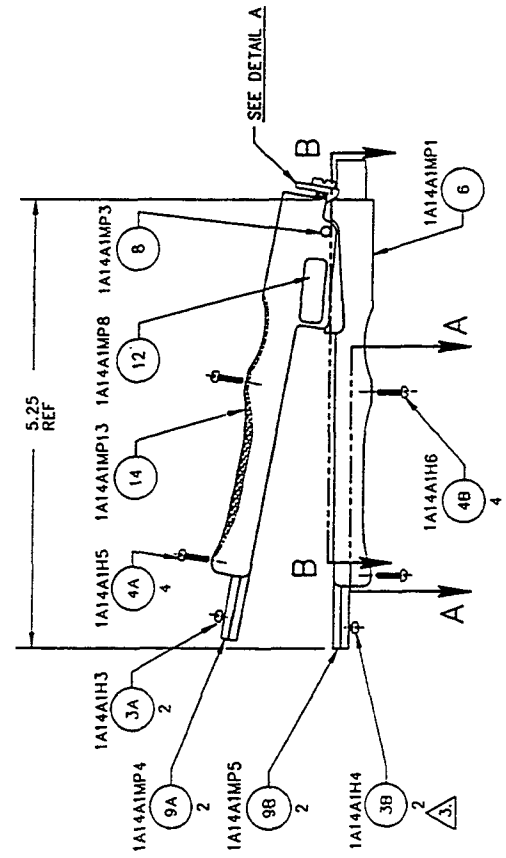
DETAIL A
SCALE: 1/1



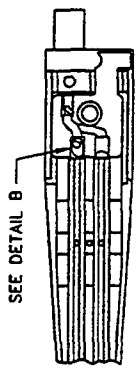
DETAIL B
SCALE: 2/1

- NOTES:
- 1 AFTER INSTALLING TAPE (ITEMS 13A,B,C,D), PUNCH THROUGH TAPE USING A SHARP POINT TOOL WHERE SCREWS ARE TO BE INSERTED.
 - 2 SOLDER CONNECTOR WIRES INTO HEX RODS (ITEMS 9A,B), PRIOR TO ASSEMBLING INTO HANDLE.
 - 3 MAKE CERTAIN SCREWS (ITEMS 3A,B) ARE FULLY SEATED IN RODS (ITEMS 9A,B), TO AVOID LOSS DURING SHIPMENT.

This data is the property of RAGEX, Inc. and is not to be used or disclosed in any form without the written consent of RAGEX, Inc. This drawing is the property of RAGEX, Inc. and is not to be used or disclosed in any form without the written consent of RAGEX, Inc. This drawing is the property of RAGEX, Inc. and is not to be used or disclosed in any form without the written consent of RAGEX, Inc.



SECTION A-A
SCALE: 1/1



SECTION B-B
SCALE: 1/1

DWG NO. CR7020-0001 A

PROPRIETARY ASSEMBLY DRAWING

<p>RAGEX RAGEX, INC. 1000 W. 10th Street Tulsa, Oklahoma 74103-1000 TEL: (918) 438-1111 FAX: (918) 438-1112</p>	
<p>CONDUCTWEEZ HANDPIECE, CT-15</p>	
P/SCM NO	DWG NO
17794	R7020-0001
REF SCALE 1/1	SHEET 1 OF 1
<p>TOLERANCES DIMENSIONS ARE IN INCHES UNLESS OTHERWISE SPECIFIED DIMS. IN PARENS ARE IN MILLIMETERS</p>	
FINISH	
PLACES	ANGLES
± .01	± .5°
<p>MATERIAL</p>	



PROPRIETARY PARTS LIST

The data in this proposal shall not be used or disclosed, except for evaluation purposes, provided that if a contract is awarded to this submitter as a result of or in connection with the submission of this proposal, the Government shall have the right to use or disclose this technical data to the extent provided in the contract. This restriction does not limit the Government's right to use or disclose any technical data which is not proprietary to the submitter or is obtained from another source without restriction.

DWG. NO: R6993-0152

REV: A EC NO: 3759 DATE: 3/4/94
 AMENDED P/L FORMAT: 8/23/94

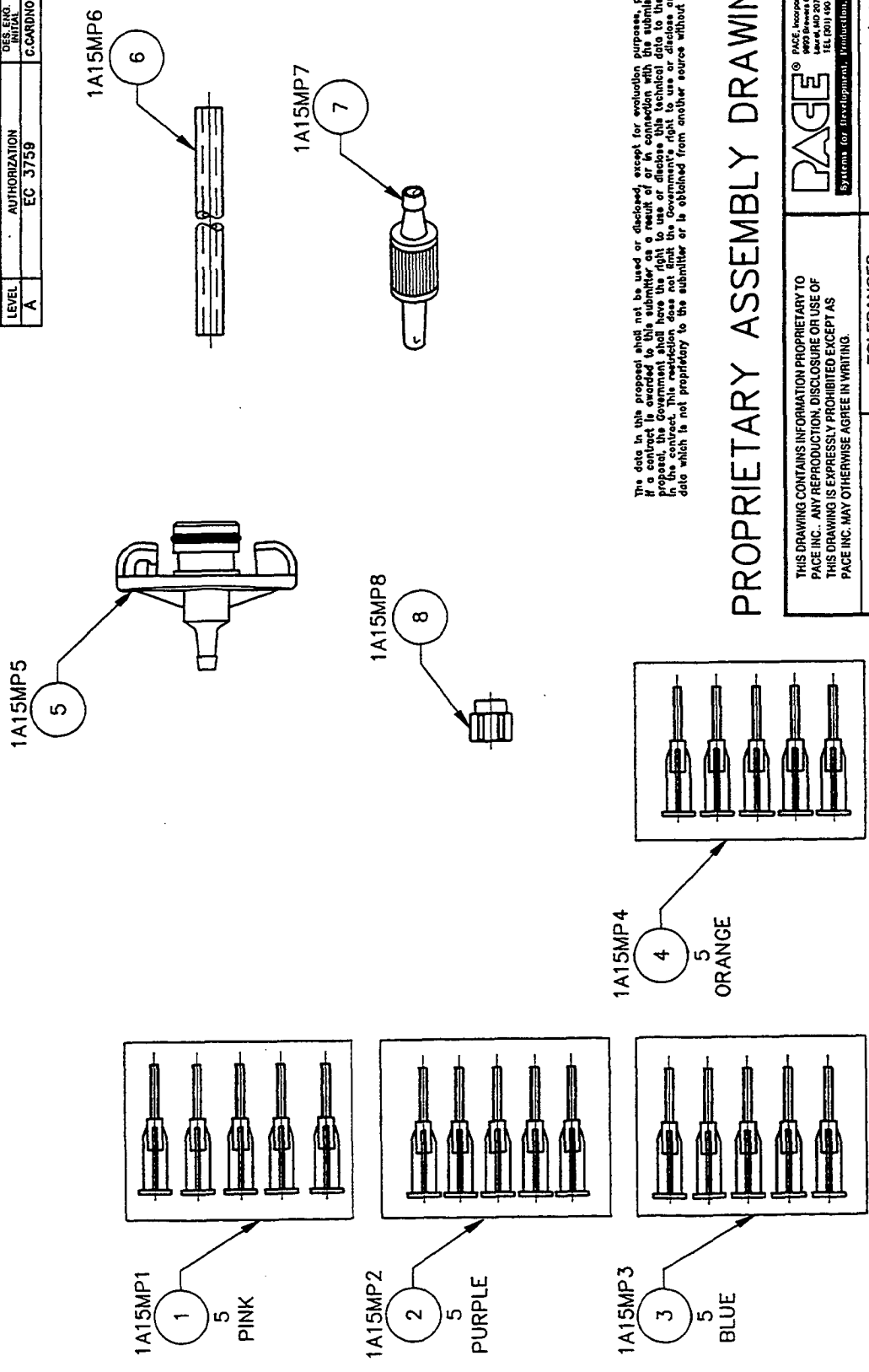
APP: *[Signature]*

TITLE: KIT, PASTE DISPENSER

INDEX	REFERENCE NO.	PART NO.	DESCRIPTION	FSCM	QTY
REF					REF
1	1A15 1A15MP1	6993-0152 1121-0409 5120	KIT, PASTE DISPENSER TIP, DISPENSER, .023 ID, PINK	17794 17794 0XJUL4	5
2	1A15MP2	1121-0410 5121	TIP, DISPENSER, .020 ID, PURPLE	17794 0XJUL4	5
3	1A15MP3	1121-0411 5122	TIP, DISPENSER, .016 ID, BLUE	17794 0XJUL4	5
4	1A15MP4	1121-0412 5123	TIP, DISPENSER, .013 ID, ORANGE	17794 0XJUL4	5
5	1A15MP5	1259-0091	ADAPTER, BARREL, 10CC	17794	1
6	1A15MP6	1325-0003-10	TUBING, PVC, CLEAR .125 ID, 36" LG.	17794	1
7	1A15MP7	1259-0087	DISCONNECT, QUICK CHANGE HOSE MT., MALE	17794	1
8	1A15MP8	1211-0036 5000-2	CLAMP, HOSE, REUSABLE	17794 90526	1

DWG NO. B

REVISIONS		DESIGN NO.	WORKING NO.	RELEASE APPROVAL
LEVEL	AUTHORIZATION	CARDNO	M.PART	DATE
A	EC 3759	C-CARDNO	M.PART	03/04/84



The data in this proposal shall not be used or disclosed, except for evaluation purposes, provided that if a contract is awarded to this submitter as a result of or in connection with the submission of this proposal, the Government shall have the right to use or disclose this technical data to the extent provided in the contract. This restriction does not limit the Government's right to use or disclose any technical data which is not proprietary to the submitter or is obtained from another source without restriction.

PROPRIETARY ASSEMBLY DRAWING

THIS DRAWING CONTAINS INFORMATION PROPRIETARY TO PACE INC. ANY REPRODUCTION, DISCLOSURE OR USE OF THIS DRAWING IS EXPRESSLY PROHIBITED EXCEPT AS PACE INC. MAY OTHERWISE AGREE IN WRITING.

PAGE® PACE, Incorporated
 8993 Reeves Court
 Laurel, MD 20723, U.S.A.
 TEL (301) 509-9800 FAX (301) 504-2190
 Systems for Development, Production, and Repair of Electronic Assemblies

UNLESS OTHERWISE SPECIFIED DIMENSIONS ARE IN INCHES. DO NOT SCALE.	TOLERANCES	
	2 PLACE	ANGLES
	± .01	± .5°

MATERIAL FINISH

KIT
PASTE DISPENSER
 DWG. NO. R6993-0152
 F.S.C.M. NO. 17794

REF. SCALE 1/1 SK SHEET 1 OF 1

1A15 6993-0152



PROPRIETARY PARTS LIST

The data in this proposal shall not be used or disclosed, except for evaluation purposes, provided that if a contract is awarded to this submitter as a result of or in connection with the submission of this proposal, the Government shall have the right to use or disclose this technical data to the extent provided in the contract. This restriction does not limit the Government's right to use or disclose any technical data which is not proprietary to the submitter or is obtained from another source without restriction.

DWG. NO: R6993-0166

REV: A EC NO: 3759 DATE: 3/4/94 APP: 

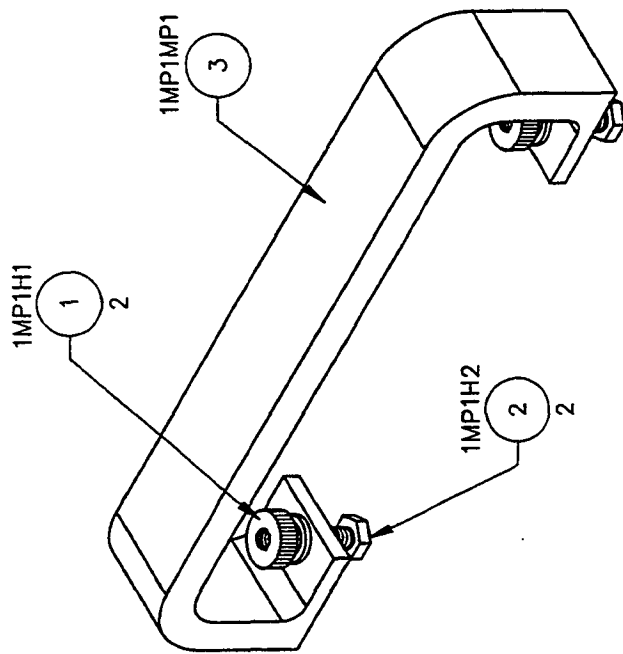
AMENDED P/L FORMAT: 8/23/94

TITLE: KIT, HANDLE, POWER SOURCE

INDEX	REFERENCE NO.	PART NO.	DESCRIPTION	FSCM	QTY
REF					REF
1	1MP1 1MP1H1	6993-0166 1410-0093 GENERIC	KIT, HANDLE, POWER SOURCE NUT, THUMB, #6-32X3/8"DIA.	17794 17794 ZZZ	2
2	1MP1H2	1405-0569 GENERIC	SCREW, HEX HD., #6-32X1/2"LG.	17794 ZZZ	2
3	1MP1MP1	2320-0004	HANDLE	17794	1

DWG NO. **B**

REVISIONS		DES. ENG. INITIAL	MFG. ENG. INITIAL	RELEASE APPROVAL INITIAL	DATE
LEVEL	A	C. CARDINO	M. PANT		03/04/84
AUTHORIZATION					
EC 3759					



The data in this proposal shall not be used or disclosed, except for evaluation purposes, provided that it is not to be used in connection with the submission of a proposal or in connection with the submission of this proposal. The Government shall have the right to use or disclose this technical data to the extent provided in the contract. This restriction does not limit the Government's right to use or disclose any technical data which is not proprietary to the submitter or is obtained from another source without restriction.

PROPRIETARY ASSEMBLY DRAWING

THIS DRAWING CONTAINS INFORMATION PROPRIETARY TO PACE INC. ANY REPRODUCTION, DISCLOSURE OR USE OF THIS DRAWING IS EXPRESSLY PROHIBITED EXCEPT AS PACE INC. MAY OTHERWISE AGREE IN WRITING.

PAGE[®] PACE Incorporated
 10000 W. 10th Street
 Suite 400, 80232, U.S.A.
 TEL: (303) 492-9460 FAX: (303) 492-2180
 Systems for Development, Production, and Repair of Electronic Assemblies

UNLESS OTHERWISE SPECIFIED DIMENSIONS ARE IN INCHES. DO NOT SCALE.	TOLERANCES	
	2 PLACE	3 PLACE
	± .01	± .005
	ANGLES ± .5°	
MATERIAL	FINISH	
	-	

**KIT, HANDLE
POWER SOURCE**

F.S.C.M. NO. **17794** DWG. NO. **R6993-0166**

REF. SCALE 1/1 SK -- SHEET 1 OF 1



PROPRIETARY PARTS LIST

The data in this proposal shall not be used or disclosed, except for evaluation purposes, provided that if a contract is awarded to this submitter as a result of or in connection with the submission of this proposal, the Government shall have the right to use or disclose this technical data to the extent provided in the contract. This restriction does not limit the Government's right to use or disclose any technical data which is not proprietary to the submitter or is obtained from another source without restriction.

DWG. NO: R6019-0043

REV: A EC NO: 3759 DATE: 3/4/94
 AMENDED P/L FORMAT: 8/23/94

APP:

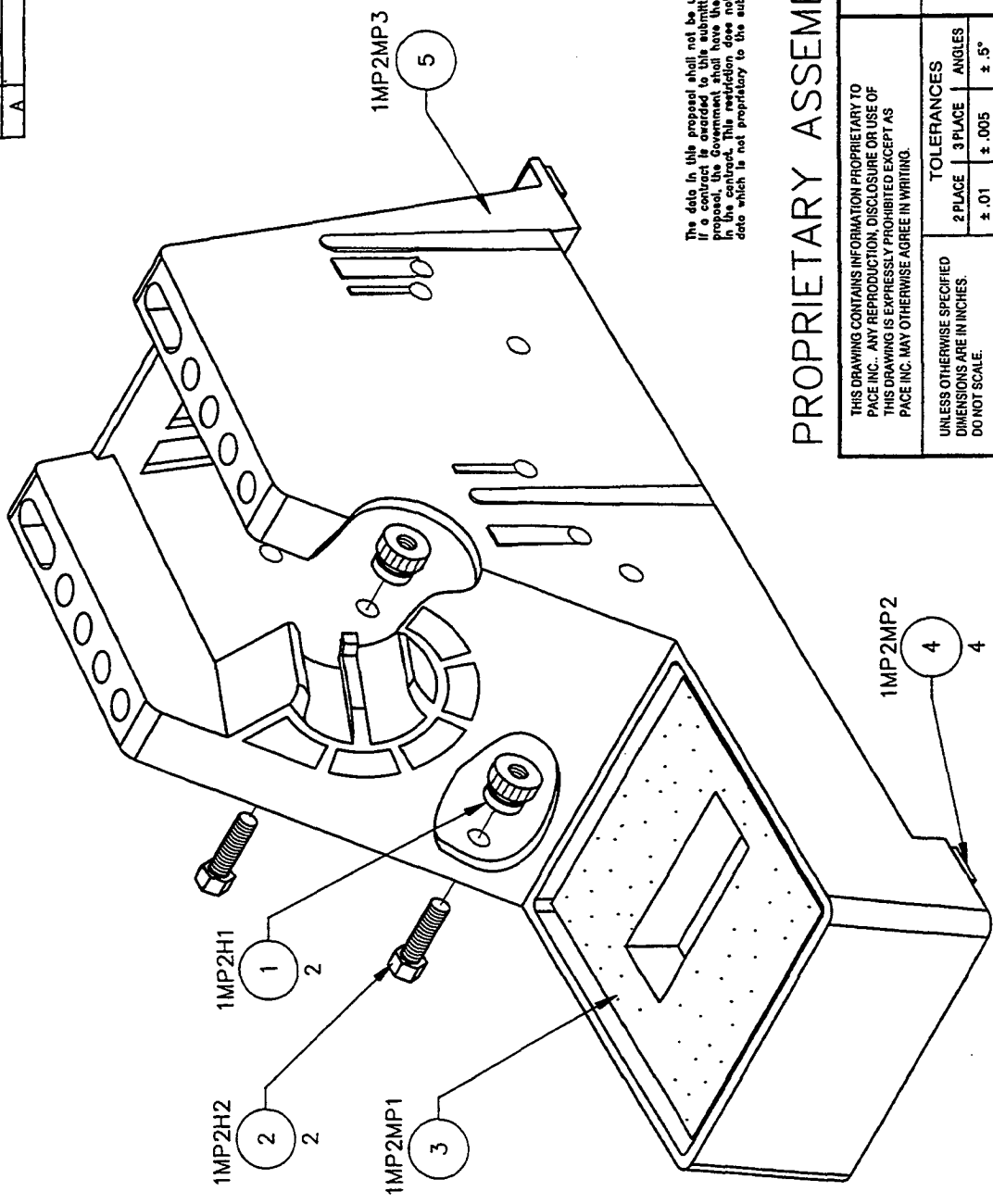
JM

TITLE: KIT, STAND, TIP & TOOL, SP

INDEX	REFERENCE NO.	PART NO.	DESCRIPTION	FSCM	QTY
REF					REF
1	1MP2 1MP2H1	6019-0043 1410-0095 GENERIC	KIT, STAND, TIP & TOOL, SP NUT, THUMB, #8-32, BLACK	17794 17794 ZZZ	2
2	1MP2H2	1405-0648 GENERIC	SCREW, HEX HD., #8-32 X .50"LG	17794 ZZZ	2
3	1MP2MP1	4021-0008	SPONGE, STAND, TIP & TOOL	17794	1
4	1MP2MP2	1317-0031	PAD, 1" X .24" X .06"	17794	4
5	1MP2MP3	1257-0188	STAND, TIP&TOOL, SP	17794	1
6		5050-0357	INST.SHEET, TIP & TOOL	17794	1

DWG NO. **B R 6019-0043** A

REVISIONS		DESIGN INITIAL	MFG ENGR INITIAL	RELEASE APPROVAL INITIAL/DATE
LEVEL	AUTHORIZATION	C. CARDINO	M. PANT	03/04/
A	EC 3759			



The data in this proposal shall not be used or disclosed, except for evaluation purposes, provided that if a contract is awarded to this submitter as a result of or in connection with the submission of this proposal, the Government shall have the right to use or disclose this technical data to the extent provided in the contract. This restriction does not limit the Government's right to use or disclose any technical data which is not proprietary to the submitter or is obtained from another source without restriction.

PROPRIETARY ASSEMBLY DRAWING

THIS DRAWING CONTAINS INFORMATION PROPRIETARY TO PACE INC.. ANY REPRODUCTION, DISCLOSURE OR USE OF THIS DRAWING IS EXPRESSLY PROHIBITED EXCEPT AS PACE INC. MAY OTHERWISE AGREE IN WRITING.	PAGE <small>PAGE, Incorporated 4403 Reeves Court Austin, Texas 78746 TEL: (512) 440-9240 FAX: (512) 440-2140</small>	
	System for Development, Production and Repair of Electronic Assemblies.	
UNLESS OTHERWISE SPECIFIED DIMENSIONS ARE IN INCHES. DO NOT SCALE.	TOLERANCES 2 PLACE 3 PLACE ANGLES $\pm .01$ $\pm .005$ $\pm .5^\circ$	KIT, STAND TIP & TOOL, SP
MATERIAL	FINISH	
F.S.C.M. NO. 17794		DWG. NO. R6019-0043
REF. SCALE 1/1	SK	SHEET 1 OF 1



PROPRIETARY PARTS LIST

The data in this proposal shall not be used or disclosed, except for evaluation purposes, provided that if a contract is awarded to this submitter, as a result of or in connection with the submission of this proposal, the Government shall have the right to use or disclose this technical data to the extent provided in the contract. This restriction does not limit the Government's right to use or disclose any technical data which is not proprietary to the submitter or is obtained from another source without restriction.

DWG. NO: R6019-0044

REV: A EC NO: 3759 DATE: 3/4/94
 AMENDED P/L FORMAT: 8/23/94

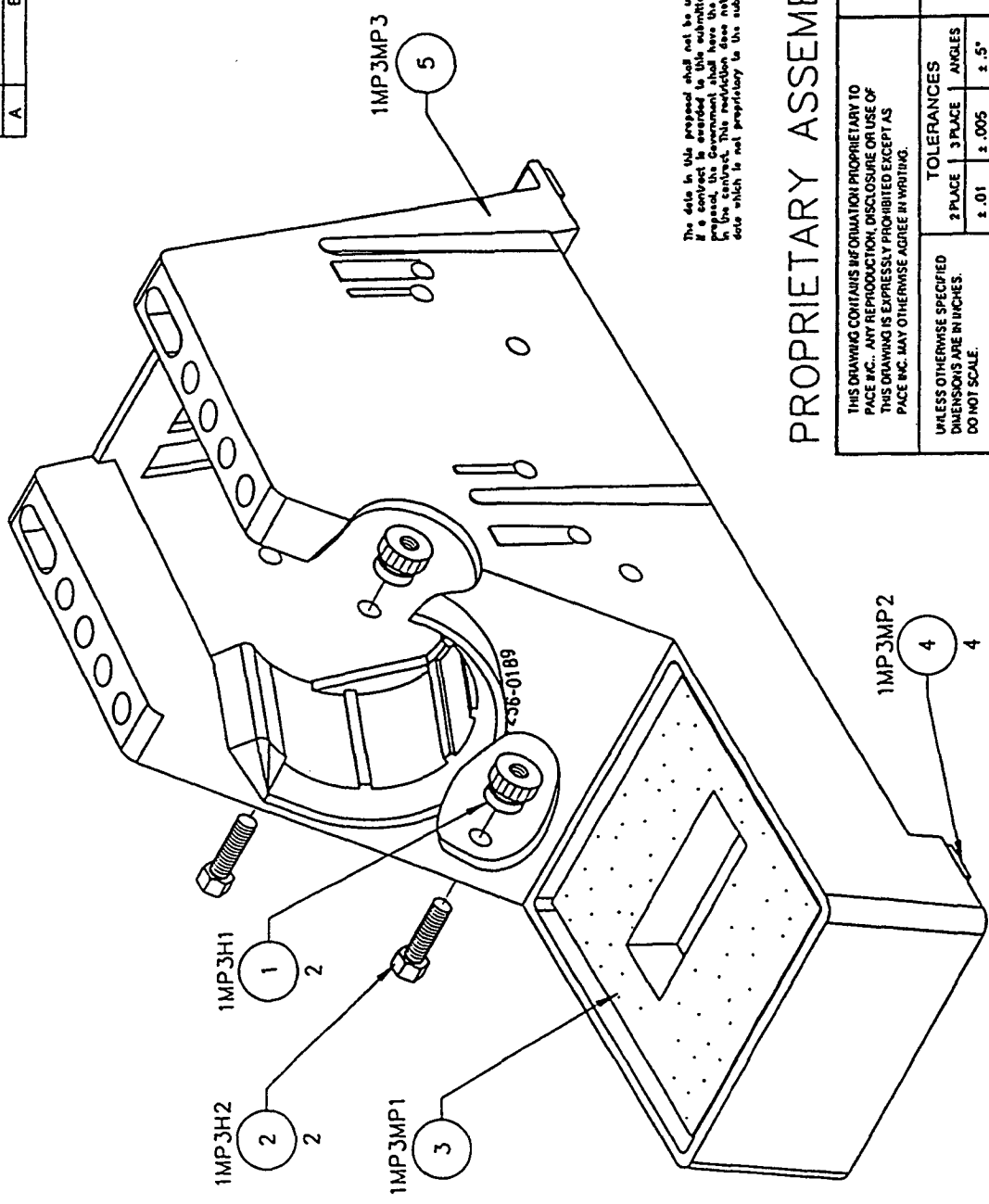
APP: *M*

TITLE: KIT, STAND, TIP & TOOL, SX

INDEX	REFERENCE NO.	PART NO.	DESCRIPTION	FSCM	QTY
1	1MP3 1MP3H1	6019-0044 1410-0095 GENERIC	KIT, STAND, TIP & TOOL, SX NUT, THUMB, #8-32, BLACK	17794 17794 ZZZ	2
2	1MP3H2	1405-0648 GENERIC	SCREW, HEX HD., #8-32 X .50"LG	17794 ZZZ	2
3	1MP3MP1	4021-0008	SPONGE, STAND, TIP & TOOL	17794	1
4	1MP3MP2	1317-0031	PAD, 1" X .24" X .06"	17794	4
5	1MP3MP3	1257-0189	STAND, TIP&TOOL, SX	17794	1
6		5050-0357	INST.SHEET, TIP & TOOL	17794	1

DWG. NO. **BR6019-0044** A

REVISIONS		DES. ENG. INITIAL	RELEASE APPROVAL INITIAL/DATE
LEVEL	A	C. CARDINO	03/04
AUTHORIZATION	EC 3759	M. PANT	



The data in this proposal shall not be used or disclosed, except for evaluation purposes, provided that if a contract is awarded to this submitter as a result of or in connection with the submission of this proposal, the Government shall have the right to use or disclose this technical data in the extent provided in the contract. This restriction does not limit the Government's right to use or disclose any technical data which is not proprietary to the submitter or is obtained from another source without restriction.

PROPRIETARY ASSEMBLY DRAWING

THIS DRAWING CONTAINS INFORMATION PROPRIETARY TO PACE INC.. ANY REPRODUCTION, DISCLOSURE OR USE OF THIS DRAWING IS EXPRESSLY PROHIBITED EXCEPT AS PACE INC. MAY OTHERWISE AGREE IN WRITING.

PAGE by PACE Incorporated
 18022 Inverness Circle
 Laurel, MD 20797, U.S.A.
 TEL (301) 546-8000 FAX (301) 546-3146

UNLESS OTHERWISE SPECIFIED DIMENSIONS ARE IN INCHES. DO NOT SCALE.	TOLERANCES		FINISH
	2 PLACE	3 PLACE	
	±.01	±.005	±.5°
MATERIAL			

KIT, STAND TIP & TOOL, SX

F.S.C.M. NO. **17794** DWG. NO. **R6019-0044**

REF. SCALE 1/1" SK SHEET 1 OF 1



PROPRIETARY PARTS LIST

The data in this proposal shall not be used or disclosed, except for evaluation purposes, provided that if a contract is awarded to this submitter as a result of or in connection with the submission of this proposal, the Government shall have the right to use or disclose this technical data to the extent provided in the contract. This restriction does not limit the Government's right to use or disclose any technical data which is not proprietary to the submitter or is obtained from another source without restriction.

DWG. NO: R6019-0046

REV: A ECNO: 4083 DATE: 08/11/95

APP: *M*

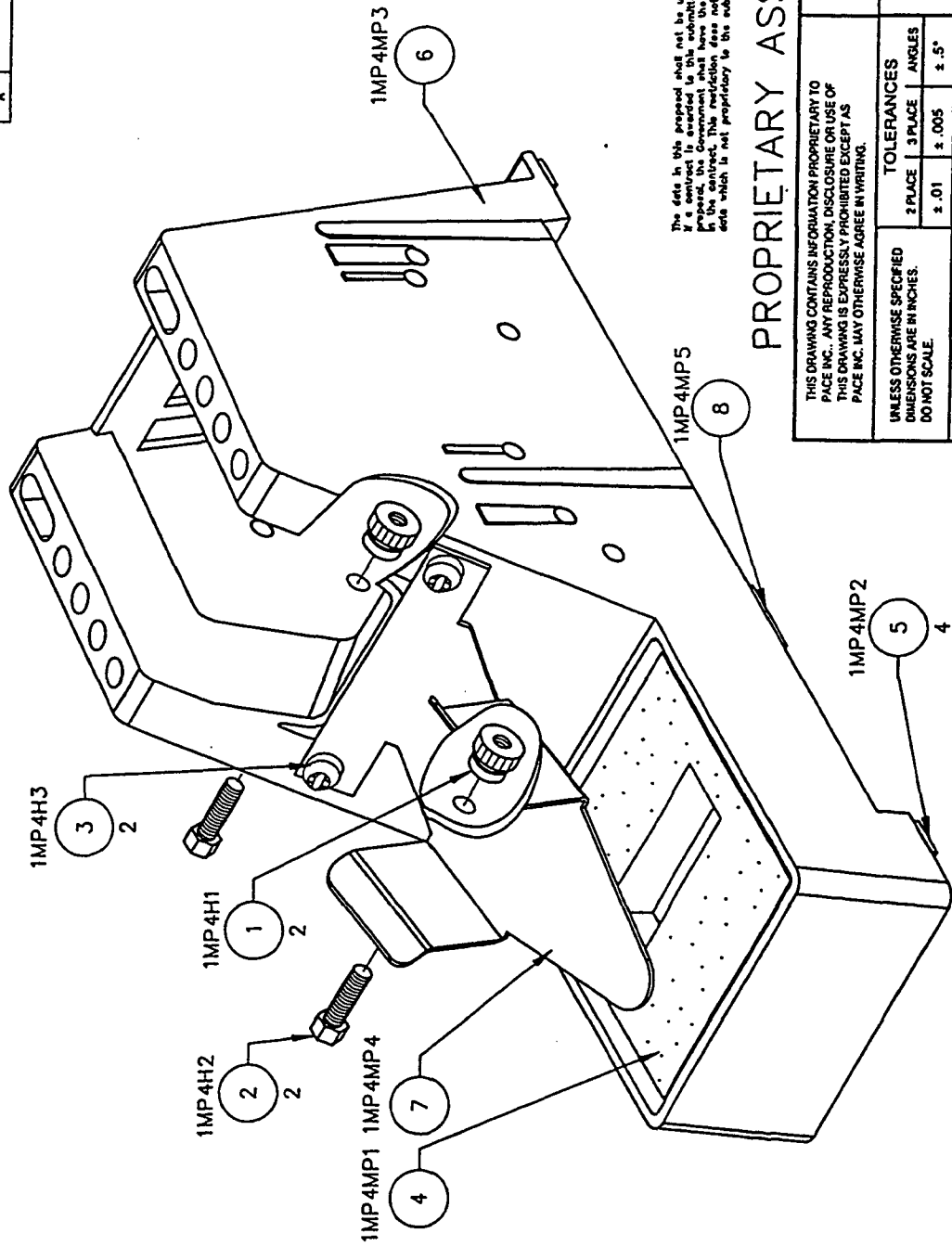
TITLE: KIT, STAND, TIP & TOOL, TT

INDEX	REFERENCE NO.	PART NO.	DESCRIPTION	FSCM	QTY
REF 1	1MP4 1MP4H1	6019-0046 1410-0095 GENERIC	KIT, STAND, TIP & TOOL, TT NUT, THUMB, #8-32, BLACK	17794 17794 ZZZ	REF 2
2	1MP4H2	1405-0648 GENERIC	SCREW, HEX HD., #8-32 X .50" LG	17794 ZZZ	2
3	1MP4H3	1405-0582 GENERIC	SCREW, THD. FORM, PAN HD., #6-32 X .38" LG.	17794 ZZZ	2
4	1MP4MP1	4021-0008	SPONGE, STAND, TIP & TOOL	17794	1
5	1MP4MP2	1317-0031	PAD, 1" X .24" X .06"	17794	4
6	1MP4MP3	1257-0191	STAND, TIP&TOOL, TT	17794	1
7	1MP4MP4	1257-0192	BRACKET, SUPPORT, THERMOTWEEZ	17794	1
8	1MP4MP5	1335-0165	COVER, TIP&TOOL STAND	17794	1
9		5050-0357	INST.SHEET, TIP & TOOL	17794	1

DWG NO. B A 6019-0046



REVISIONS			
LEVEL	AUTHORIZATION	DES. ENG. INITIALS	RELEASE APPROVAL INITIALS DATE
A	EC 4003	C. CARING	M.PANT



The data in this proposal shall not be used or disclosed, except for evaluation purposes, provided that if a contract is awarded to this submitter as a result of or in connection with the submission of this proposal, the Government shall have the right to use or disclose the technical data to the extent provided in the contract. This proposal and the technical data herein are the property of the Government and shall remain the property of the Government. The Government's right to use or disclose any technical data which is not proprietary to the submitter or is obtained from another source without restriction.

PROPRIETARY ASSEMBLY DRAWING

THIS DRAWING CONTAINS INFORMATION PROPRIETARY TO PACE INC. ANY REPRODUCTION, DISCLOSURE OR USE OF THIS DRAWING IS EXPRESSLY PROHIBITED EXCEPT AS PACE INC. MAY OTHERWISE AGREE IN WRITING.

PAGE PACE Incorporated
 8003 Browne Court
 Laurel, MD 20723, U.S.A.
 TEL (301) 480-1800 FAX (301) 480-2140
 SYSTEM for Development, Production, and Repair of Electronic Assemblies

UNLESS OTHERWISE SPECIFIED DIMENSIONS ARE IN INCHES. DO NOT SCALE.	TOLERANCES	
	2 PLACE	3 PLACE
MATERIAL	± .01	± .005
	FINISH	
MATERIAL		...
FINISH		...

KIT, STAND TIP & TOOL, TT

F.S.C.M. NO. 17794
 DWG. NO. R6019-0046
 REF. SCALE 1/1 SK SHEET, 1 OF 1



PROPRIETARY PARTS LIST

The data in this proposal shall not be used or disclosed, except for evaluation purposes, provided that if a contract is awarded to this submitter as a result of or in connection with the submission of this proposal, the Government shall have the right to use or disclose this technical data to the extent provided in the contract. This restriction does not limit the Government's right to use or disclose any technical data which is not proprietary to the submitter or is obtained from another source without restriction.

DWG. NO: R6019-0038

REV: A EC NO: 3759 DATE: 3/4/94
 APP: *M*
 AMENDED P/L FORMAT: 8/23/94

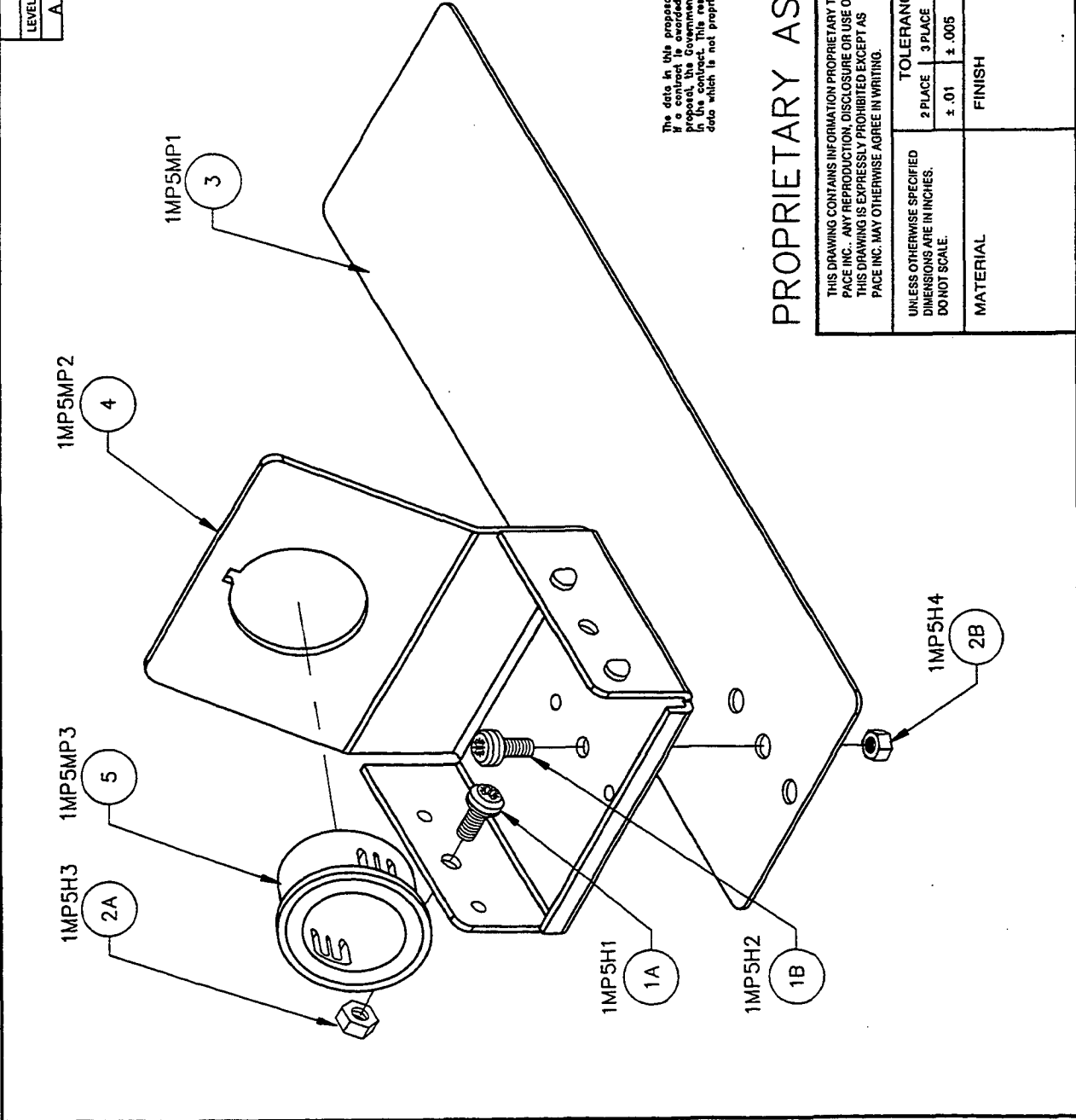
TITLE: CUBBY, PASTE DISPENSER

INDEX	REFERENCE NO.	PART NO.	DESCRIPTION	FSCM	QTY
REF					REF
1A	1MP5 1MP5H1	6019-0038 1405-0398-02 GENERIC	CUBBY, PASTE DISPENSER SCREW,PAN HD.#6-32X5/16 WIINT.TOOTH LWASHER	17794 17794 ZZZ	1
1B	1MP5H2	1405-0398-02 GENERIC	SCREW,PAN HD.#6-32X5/16 WIINT.TOOTH LWASHER	17794 ZZZ	1
2A	1MP5H3	1410-0088 GENERIC	NUT, HEX, #6-32, SMALL PATTERN	17794 ZZZ	1
2B	1MP5H4	1410-0088 GENERIC	NUT,HEX, #6-32, SMALL PATTERN	17794 ZZZ	1
3	1MP5MP1	1257-0173	BASE, STAND	17794	1
4	1MP5MP2	1257-0126	STAND	17794	1
5	1MP5MP3	1251-0076 2140	BUSHING, SNAP, .75"ID,1.0"OD,BLACK	17794 28320	1
6	5050-0314		INST. SHEET, CUBBY, PASTE DISPENSER	17794	1

DWG NO. **B.R. 6019-0038**

A

REVISIONS		DES. ENG. INITIAL	MFG. ENG. INITIAL	RELEASE APPROVAL INITIAL	DATE
LEVEL	AUTHORIZATION				
A	EC_3759				03/04/
		C. CARDNO	M. PANT		



The data in this proposal shall not be used or disclosed, except for evaluation purposes, provided that if a contract is awarded to this submitter as a result of or in connection with the submission of this proposal, the Government shall have the right to use or disclose this technical data to the extent provided in the contract. This restriction does not limit the Government's right to use or disclose any technical data which is not proprietary to the submitter or is obtained from another source without restriction.

PROPRIETARY ASSEMBLY DRAWING

THIS DRAWING CONTAINS INFORMATION PROPRIETARY TO PACE INC. ANY REPRODUCTION, DISCLOSURE OR USE OF THIS DRAWING IS EXPRESSLY PROHIBITED EXCEPT AS PACE INC. MAY OTHERWISE AGREE IN WRITING.	PACE <small>PACE, Incorporated 8993 Bowers Court EL PASO, TEXAS 75040 FAX (901) 804-3100</small>		CUBBY PASTE DISPENSER	
	UNLESS OTHERWISE SPECIFIED DIMENSIONS ARE IN INCHES. DO NOT SCALE.		F.S.C.M. NO. 17794 DWG. NO. R6019-0038	
TOLERANCES 2 PLACE ± .01 3 PLACE ± .005 ANGLES ± .5°		REF. SCALE 1/4" = 1" SK		
MATERIAL		SHEET 1 OF 1		



PROPRIETARY PARTS LIST

The data in this proposal shall not be used or disclosed, except for evaluation purposes, provided that if a contract is awarded to this submitter as a result of or in connection with the submission of this proposal, the Government shall have the right to use or disclose this technical data to the extent provided in the contract. This restriction does not limit the Government's right to use or disclose any technical data which is not proprietary to the submitter or is obtained from another source without restriction.

DWG. NO: R6019-0022

REV: A EC NO: 3759 DATE: 3/4/94
AMENDED P/L FORMAT: 8/23/94

APP: *pd*

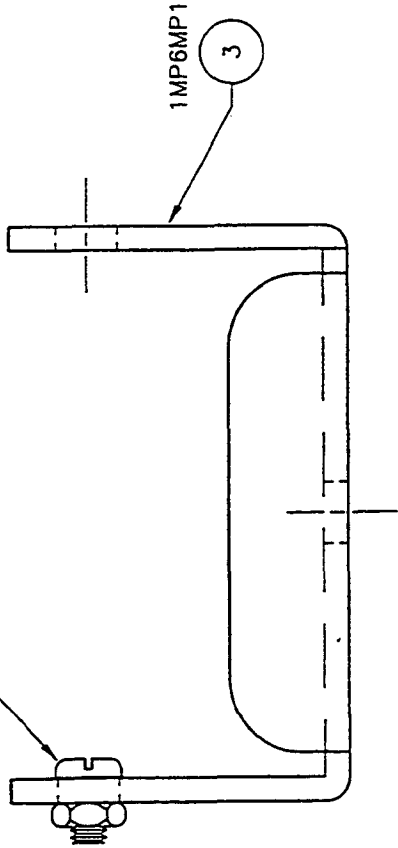
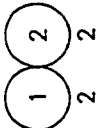
TITLE: CUBBY, SMR

INDEX	REFERENCE NO.	PART NO.	DESCRIPTION	FSCM	QTY
REF					REF
1	1MP6 1MP6H1	6019-0022 1405-0027 GENERIC	CUBBY, SMR SCREW, BNDR HD., #6-32 X .25"LG	17794 17794 ZZZ	2
2	1MP6H2	1410-0088 GENERIC	NUT, HEX, #6-32, SMALL PATTERN	17794 ZZZ	2
3	1MP6MP1	1257-0140	STAND, CUBBY	17794	1

DWG NO.
B

REVISIONS			
LEVEL	AUTHORIZATION	DES. ENO. INITIAL	RELEASE APPROVAL INITIAL/DATE
A	EC 3759	C. CARDINO	M. PANTO 3/1/94

1MP6H1 1MP6H2



1MP6MP1



The data in this proposal shall not be used or disclosed, except for evaluation purposes, provided that if a contract is awarded to this submitter as a result of or in connection with the submission of this proposal, the Government shall have the right to use or disclose or to use or disclose any technical data which is not proprietary to the submitter or is obtained from another source without restriction.

PROPRIETARY ASSEMBLY DRAWING

THIS DRAWING CONTAINS INFORMATION PROPRIETARY TO PACE INC. ANY REPRODUCTION, DISCLOSURE OR USE OF THIS DRAWING IS EXPRESSLY PROHIBITED EXCEPT AS PACE INC. MAY OTHERWISE AGREE IN WRITING.

PAGE PACE, Incorporated
4400 Sunset Court
Folsom, CA 95630
TEL (916) 490-5600 FAX (916) 490-5100
Systems for Development, Production, and Repair of Electronic Assemblies

UNLESS OTHERWISE SPECIFIED DIMENSIONS ARE IN INCHES. DO NOT SCALE.	TOLERANCES	
	2 PLACE	3 PLACE
	± .01	± .005
FINISH	NONE	

CUBBY, SMR

F.S.C.M. NO.	DWG. NO.
17794	R6019-0022
REF. SCALE 2/1	SK -
	SHEET 1 OF 1



PROPRIETARY PARTS LIST

The data in this proposal shall not be used or disclosed, except for evaluation purposes, provided that if a contract is awarded to this submitter as a result of or in connection with the submission of this proposal, the Government shall have the right to use or disclose this technical data to the extent provided in the contract. This restriction does not limit the Government's right to use or disclose any technical data which is not proprietary to the submitter or is obtained from another source without restriction.

DWG. NO: R1257-0186-P1

REV: A EC NO: 3759 DATE: 3/4/94
 AMENDED P/L FORMAT: 8/23/94

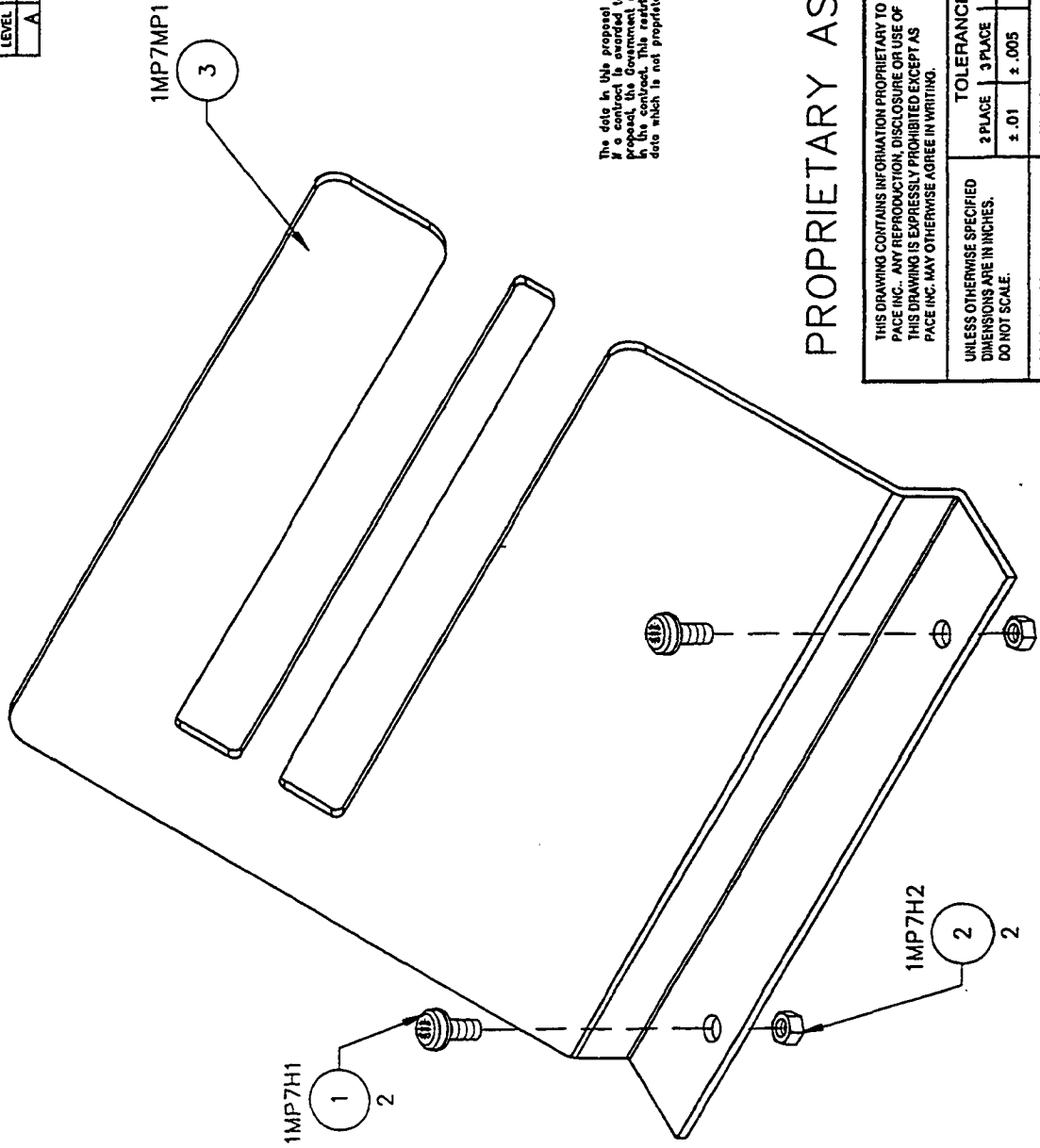
APP: *M*

TITLE: STAND, CHART HOLDER W/MTG.HARDWARE

INDEX	REFERENCE NO.	PART NO.	DESCRIPTION	FSCM	QTY
REF 1	1MP7 1MP7H1	1257-0186-P1 1405-0398-02 GENERIC	STAND, CHART HOLDER W/MTG.HARDWARE SCREW,PAN HD.,#6-32X.31"LG.W/LOCKWASHER	17794 17794 ZZZ	REF 2 2
2	1MP7H2	1410-0088 GENERIC	NUT, HEX #6-32, SMALL PATTERN	17794 ZZZ	2
3	1MP7MP1	1257-0186	STAND, CHART HOLDER	17794	1
4		5050-0345	INST. SHEET, CHART HOLDER	17794	1

DWG. NO. **B R 1257-0186-PI A**

REVISIONS			
LEVEL	AUTHORIZATION	DESIGNER	DATE
A	EC 3759	C. CARONNO	3/1/79



The data in this proposal shall not be used or disclosed, except for evaluation purposes, provided that a contract is awarded to this submitter as a result of or in connection with the submission of this proposal. This data shall not be used for any other purpose without the written consent of the submitter. This data is the property of the submitter and shall remain confidential. This data is not proprietary to the submitter or is obtained from another source without restriction.

PROPRIETARY ASSEMBLY DRAWING

THIS DRAWING CONTAINS INFORMATION PROPRIETARY TO PACE INC. ANY REPRODUCTION, DISCLOSURE OR USE OF THIS DRAWING IS EXPRESSLY PROHIBITED EXCEPT AS PACE INC. MAY OTHERWISE AGREE IN WRITING.

PAGE INCORPORATED
 16100 LARSON ROAD, SUITE 100
 FALLS CHURCH, VA 22044
 TEL: (703) 440-1800 FAX: (703) 440-3100

UNLESS OTHERWISE SPECIFIED DIMENSIONS ARE IN INCHES. DO NOT SCALE.	TOLERANCES	
	2 PLACE	3 PLACE
	± .01	± .005
	ANGLES ± .5°	
MATERIAL	FINISH	

**STAND, CHART HOLDER
 W/MTG. HARDWARE**

F.S.C.M. NO. **17794** DWG. NO. **R1257-0186-PI**
 REF. SCALE **1/1** SK **1** OF **1**



PROPRIETARY PARTS LIST

The data in this proposal shall not be used or disclosed, except for evaluation purposes, provided that if a contract is awarded to this submitter as a result of or in connection with the submission of this proposal, the Government shall have the right to use or disclose this technical data to the extent provided in the contract. This restriction does not limit the Government's right to use or disclose any technical data which is not proprietary to the submitter or is obtained from another source without restriction.

DWG. NO: R6019-0023

REV: A EC NO: 3759 DATE: 3/4/94
 AMENDED P/L FORMAT: 8/23/94

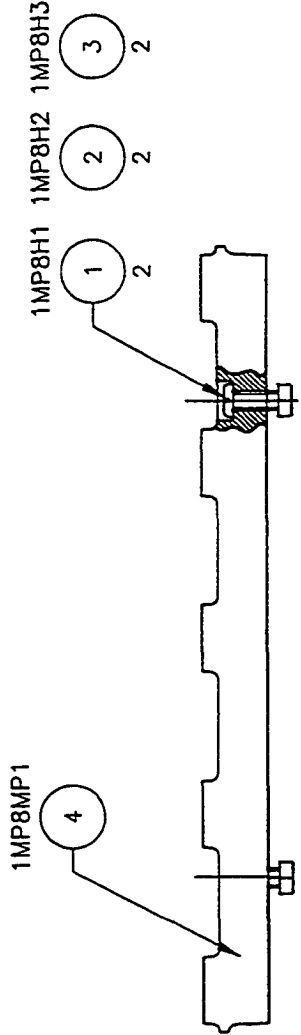
APP: *MA*

TITLE: REDI-RAK, HANDPIECE

INDEX	REFERENCE NO.	PART NO.	DESCRIPTION	FSCM	QTY
REF					REF
1	1MP8 1MP8H1	6019-0023 1405-0031 GENERIC	REDI-RAK, HANDPIECE SCREW, BNDR.HD.,#6-32X1/2"LG.	17794 17794 ZZZ	2
2	1MP8H2	1410-0088 GENERIC	NUT, HEX #6-32, SMALL PATTERN	17794 ZZZ	2
3	1MP8H3	1415-0059 GENERIC	WASHER, SPLITLOCK, #6	17794 ZZZ	2
4	1MP8MP1	1257-0150	TOOL HOLDER	17794	1

DWG NO. B

REVISIONS		DESIGN NO.	DATE	BY	REVISION
LEVEL	AUTHORIZATION	C. CARDINO	M. PANT		REVISIONS
	EC 3759				DATE
					3/1/84



The data in this proposal shall not be used or disclosed, except for evaluation purposes, provided that if a contract is awarded to this submitter as a result of an connection with the submission of this proposal, the Government shall have the right to use or disclose any technical data which is not proprietary to the submitter or is obtained from another source without restriction.

PROPRIETARY ASSEMBLY DRAWING

THIS DRAWING CONTAINS INFORMATION PROPRIETARY TO PACE INC.. ANY REPRODUCTION, DISCLOSURE OR USE OF THIS DRAWING IS EXPRESSLY PROHIBITED EXCEPT AS PACE INC. MAY OTHERWISE AGREE IN WRITING.

PAGE PACE Incorporated
 8902 Rivers Court
 Laurel, MD 20723, U.S.A.
 TEL: (301) 480-8800 FAX: (301) 480-2100
 Systems for Development, Production, and Repair of Electronic Assemblies

UNLESS OTHERWISE SPECIFIED DIMENSIONS ARE IN INCHES. DO NOT SCALE.	TOLERANCES	
	2 PLACE	3 PLACE
	±.01	±.005
		±.5°

MATERIAL: --
 FINISH: NONE

REDI-RAK, HANDPIECE

F.S.C.M. NO. 17794
 DWG. NO. R6019-0023

REF. SCALE 1/1 SK OF



PROPRIETARY PARTS LIST

The data in this proposal shall not be used or disclosed, except for evaluation purposes, provided that if a contract is awarded to this submitter as a result of or in connection with the submission of this proposal, the Government shall have the right to use or disclose this technical data to the extent provided in the contract. This restriction does not limit the Government's right to use or disclose any technical data which is not proprietary to the submitter or is obtained from another source without restriction.

DWG. NO: R6021-0007

REV: A EC NO: 3759 DATE: 3/4/94
 AMENDED P/L FORMAT: 8/23/94

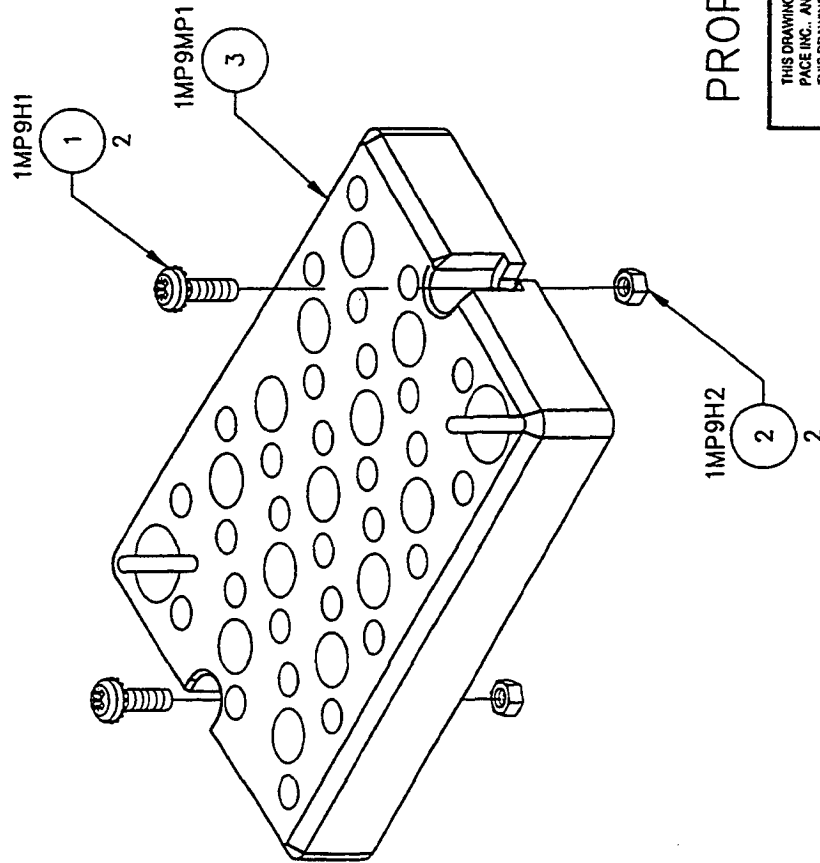
APP: *MA*

TITLE: REDI-RAK, TIP

INDEX	REFERENCE NO.	PART NO.	DESCRIPTION	FSCM	QTY
1	1MP9 1MP9H1	6021-0007 1405-0030 GENERIC	REDI-RAK, TIP SCREW, BINDER HD., #6-32X7/16"LG.	17794 17794 ZZZ	2
2	1MP9H2	1410-0088 GENERIC	NUT, HEX, #6-32, SMALL PATTERN	17794 ZZZ	2
3	1MP9MP1	1321-0236	STAND, REDI-RAK	17794	1
4		5050-0315	INST. SHEET, REDI-RAK	17794	1

DWG NO. **B R 6021-0007** **A**

REVISIONS			
LEVEL	AUTHORIZATION	DES. ENGR. INITIAL	RELEASE APPROVAL INITIAL/DATE
A	EC 3759	C. CARDINO	M. PANT 3/4/9



The data in this proposal shall not be used or disclosed, except for evaluation purposes, provided that if a contract is awarded to this submitter as a result of or in connection with the submission of this proposal, the Government shall have the right to use or disclose this technical data to the extent provided in the contract. This restriction does not limit the Government's right to use or disclose any technical data which is not proprietary to the submitter or is obtained from another source without restriction.

PROPRIETARY ASSEMBLY DRAWING

THIS DRAWING CONTAINS INFORMATION PROPRIETARY TO PACE INC.. ANY REPRODUCTION, DISCLOSURE OR USE OF THIS DRAWING IS EXPRESSLY PROHIBITED EXCEPT AS PACE INC. MAY OTHERWISE AGREE IN WRITING.	PACE <small>PACE, Incorporated</small> <small>14000 W. 10th Street, Suite 100</small> <small>Overland Park, MO 66203, U.S.A.</small> <small>TEL (913) 490-9400 FAX (913) 490-2150</small> System for Development, Production, and Repair of Electronic Assemblies	
	REDI-RAK, TIP	
UNLESS OTHERWISE SPECIFIED DIMENSIONS ARE IN INCHES. DO NOT SCALE.	TOLERANCES 2 PLACE ± .01 3 PLACE ± .005 ANGLES ± .5°	F.S.C.M. NO. 17794 DWG. NO. R6021-0007
MATERIAL	FINISH	REF. SCALE 1/1 SK 1 OF 1



PROPRIETARY PARTS LIST

The data in this proposal shall not be used or disclosed, except for evaluation purposes, provided that if a contract is awarded to this submitter as a result of or in connection with the submission of this proposal, the Government shall have the right to use or disclose this technical data to the extent provided in the contract. This restriction does not limit the Government's right to use or disclose any technical data which is not proprietary to the submitter or is obtained from another source without restriction.

DWG. NO: R1332-0094

REV: A EC NO: 3759 DATE: 3/4/94 APP: *JK*
AMENDED P/L FORMAT: 8/23/94

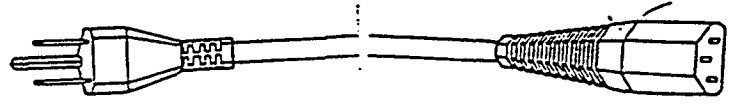
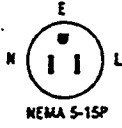
TITLE: POWER CORD, DETACHABLE, DOMESTIC

INDEX	REFERENCE NO.	PART NO.	DESCRIPTION	FSCM	QTY
-------	---------------	----------	-------------	------	-----

REF	1W1	1332-0094 17231	POWER CORD, DETACHABLE, DOMESTIC	17794 IBU49	REF
-----	-----	--------------------	----------------------------------	----------------	-----

DWG NO. A R 1332 - 0099 A

REVISIONS				
LEVEL	AUTHORIZATION	DES. ENG. INITIAL	MFG. ENG. INITIAL	RELEASE APPROVAL INITIAL/DATE
A	EC 3759	C.CARDNO	M.PANT	3/4/93



CONDUCTOR: 18awg (41 X 34)
 CORDAGE TYPE: SVT
 COLOR CODE: CEE
 JACKET: Black or Grey, PVC
 CONNECTOR: Molded PVC grounding connector
 PLUG: Molded PVC grounding plug, NEMA 5-15P
 CURRENT RATING: 6 amps
 VOLTAGE: 125V
 OVERALL LENGTH OF CORD SET: 8 feet APPROX.

APPROVAL MARKS: Parts or package must be marked for traceability to UL listing and approval by CSA (Canada)

NOTE: CORD SET TO BE HANKED WITH A 7.0" TO 8.0" LENGTH LOOP AND BOTH ENDS FREE.

SUGGESTED SOURCE:

BELDEN, WIRE AND CABLE
 P.O. BOX 1980
 RICHMOND, IN 47375
 TEL.: (317)983-5200
 PART NO.: 17251
 (N.S.N. 6150-01-254-2625; 6150-01-084-6385)

The data in this proposal shall not be used or disclosed, except for evaluation purposes, provided that if a contract is awarded to this submitter as a result of or in connection with the submission of this proposal, the Government shall have the right to use or disclose this technical data to the extent provided in the contract. This restriction does not limit the Government's right to use or disclose any technical data which is not proprietary to the submitter or is obtained from another source without restriction.

SPECIFICATION CONTROL DRAWING

THIS DRAWING CONTAINS INFORMATION PROPRIETARY TO PACE INC.. ANY REPRODUCTION, DISCLOSURE OR USE OF THIS DRAWING IS EXPRESSLY PROHIBITED EXCEPT AS PACE INC. MAY OTHERWISE AGREE IN WRITING.		PACE, Incorporated 9803 Brewers Court Laurel, MD 20723, U.S.A. TEL (301) 490-6600 FAX (301) 604-2100 Systems for Development, Production, and Repair of Electronic Assemblies		
UNLESS OTHERWISE SPECIFIED DIMENSIONS ARE IN INCHES. DO NOT SCALE.	TOLERANCES			<h1 style="margin: 0;">CORD</h1> <h2 style="margin: 0;">POWER SUPPLY</h2>
	2 PLACE	3 PLACE	ANGLES	
	± .01	± .005	± .5°	
MATERIAL	FINISH			
—	—			
	F.S.C.M. NO.	DWG. NO.		
	17794	R1332-0094		
	REF. SCALE	SK —	SHEET 1	OF 1



PROPRIETARY PARTS LIST

The data in this proposal shall not be used or disclosed, except for evaluation purposes, provided that if a contract is awarded to this submitter as a result of or in connection with the submission of this proposal, the Government shall have the right to use or disclose this technical data to the extent provided in the contract. This restriction does not limit the Government's right to use or disclose any technical data which is not proprietary to the submitter or is obtained from another source without restriction.

DWG. NO: R7000-0023

REV: A EC NO: 3759 DATE: 3/4/94
AMENDED P/L FORMAT: 8/23/94

APP: *ph*

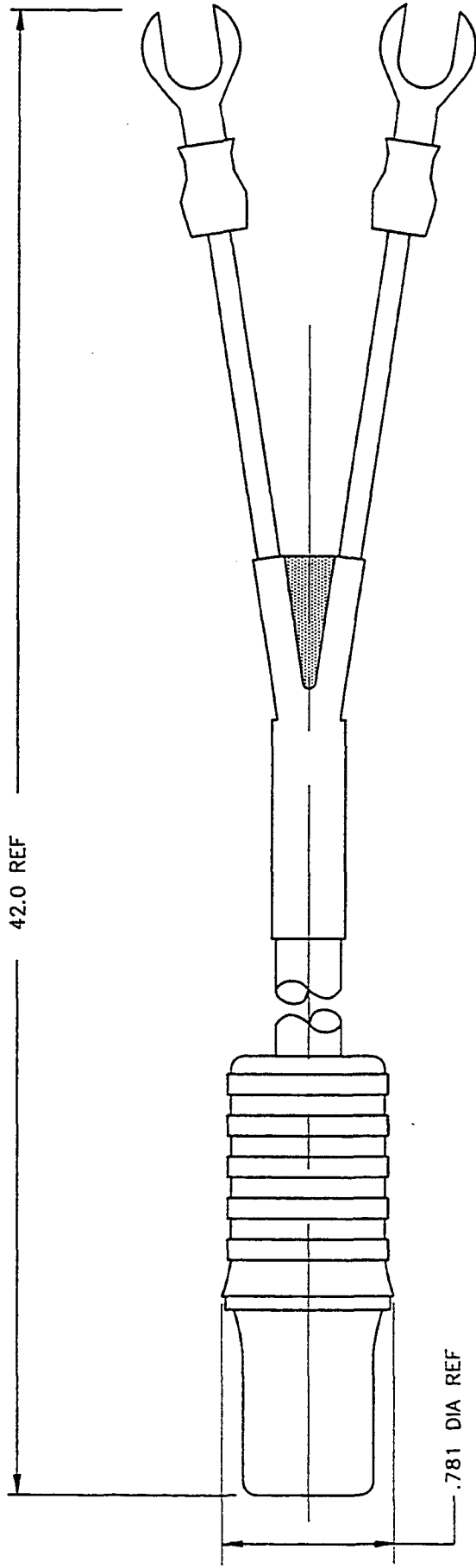
TITLE: UNIVERSAL POWER CORD, HANDPIECE

INDEX	REFERENCE NO.	PART NO.	DESCRIPTION	FSCM	QTY
REF	1W2	7000-0023	UNIVERSAL POWER CORD, HANDPIECE	17794	REF

DWG NO.
BR 1000-0023 A

REVISIONS		DESIGN INITIALS	DATE	PREPARED BY	APPROVAL DATE
LEVEL A	AUTHORIZATION EC 3759	C. CARDINO	M. PANI	M. PANI	3/1/84

42.0 REF



.781 DIA REF

The data in this proposal shall not be used or disclosed, except for evaluation purposes, provided that if a contract is awarded to this submitter as a result of or in connection with the submission of this proposal, the Government shall have the right to use or disclose this technical data to the extent provided in the contract. This restriction does not limit the Government's right to use or disclose any technical data which is not proprietary to the submitter or is obtained from another source without restriction.

PROPRIETARY SOURCE CONTROL DRAWING

THIS DRAWING CONTAINS INFORMATION PROPRIETARY TO PACE INC.. ANY REPRODUCTION, DISCLOSURE OR USE OF THIS DRAWING IS EXPRESSLY PROHIBITED EXCEPT AS PACE INC. MAY OTHERWISE AGREE IN WRITING.		RAGE TM PACE, Incorporated 4943 Barrett Court San Diego, CA 92121 USA TEL: (619) 480-2840 FAX: (619) 480-2180 System for Development, Production, and Support of Electronic Assemblies	
UNLESS OTHERWISE SPECIFIED DIMENSIONS ARE IN INCHES. DO NOT SCALE.		UNIVERSAL POWER CORD HANDPIECE	
TOLERANCES 2 PLACE ± .01 3 PLACE ± .005 ANGLES ± .5°		F.S.C.M. NO. 17794 DWO. NO. R7000-0023	
MATERIAL NONE		REF. SCALE 2/1 SK - OF 172	



PROPRIETARY PARTS LIST

The data in this proposal shall not be used or disclosed, except for evaluation purposes, provided that if a contract is awarded to this submitter as a result of or in connection with the submission of this proposal, the Government shall have the right to use or disclose this technical data to the extent provided in the contract. This restriction does not limit the Government's right to use or disclose any technical data which is not proprietary to the submitter or is obtained from another source without restriction.

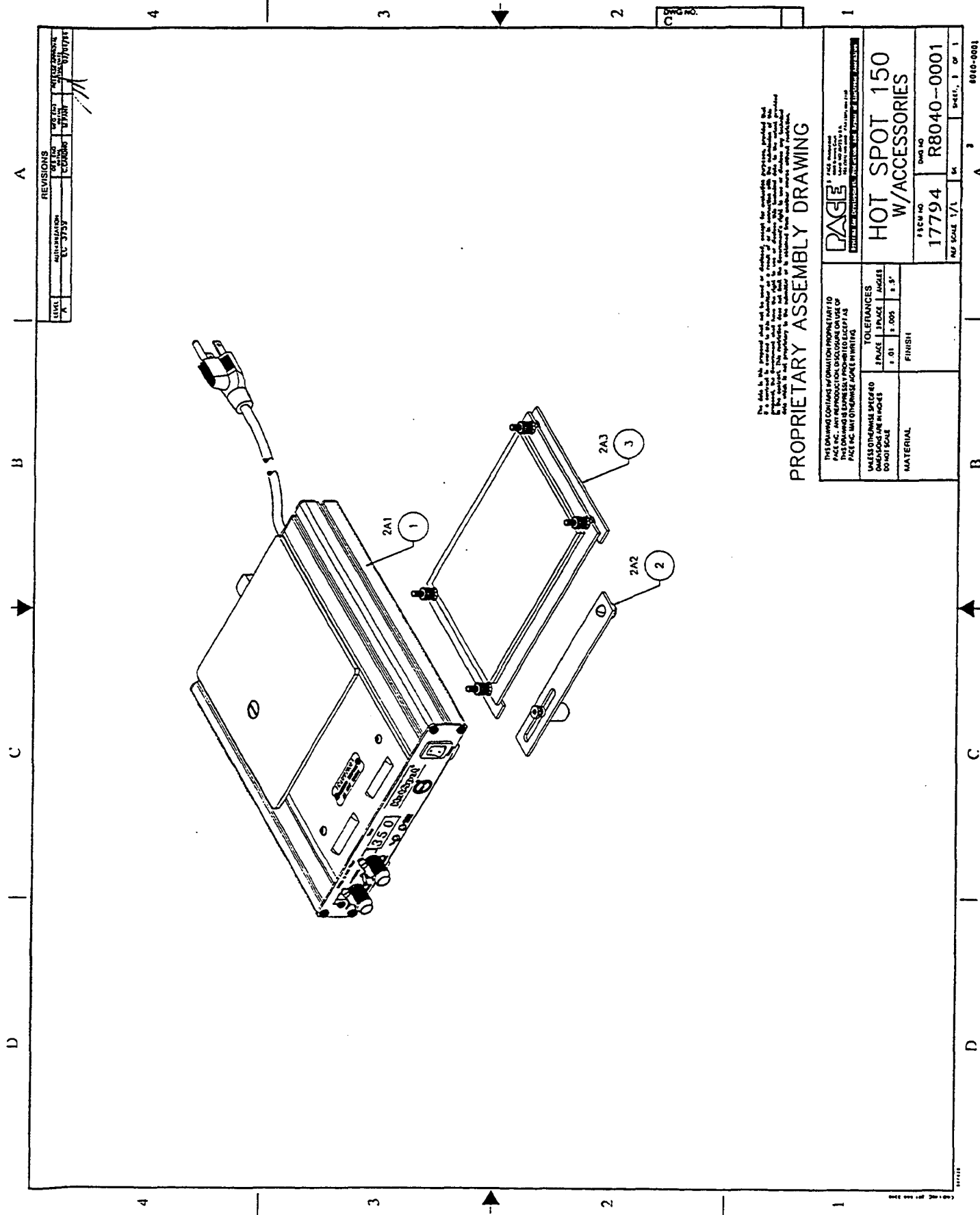
DWG. NO: R8040-0001

REV: A EC NO: 3759 DATE: 3/4/94
AMENDED P/L FORMAT: 8/23/94

APP: *[Signature]*

TITLE: HOT SPOT 150 W/ACCESSORIES

INDEX	REFERENCE NO.	PART NO.	DESCRIPTION	FSCM	QTY
REF	2	8040-0001	HOT SPOT 150 W/ACCESSORIES	17794	REF
1	2A1	7040-0002	HOT SPOT 150	17794	1
2	2A2	6040-0002	ASSY, CLAMP ARM	17794	1
3	2A3	6993-0102	ASSY, THERMAL SELECTIVITY	17794	1
4		5050-0194	MANUAL, HOTSPOT 150	17794	1



REVISIONS			
LEVEL	DESCRIPTION	DATE	BY
A	17794	11/11/91	11/11/91

THIS DRAWING CONTAINS INFORMATION PROPRIETARY TO PAGE INC. ANY REPRODUCTION, DISCLOSURE OR USE OF THIS DRAWING IS EXPRESSLY PROHIBITED EXCEPT AS AUTHORIZED BY PAGE INC. IN WRITING.

PROPRIETARY ASSEMBLY DRAWING

THIS DRAWING CONTAINS INFORMATION PROPRIETARY TO PAGE INC. ANY REPRODUCTION, DISCLOSURE OR USE OF THIS DRAWING IS EXPRESSLY PROHIBITED EXCEPT AS AUTHORIZED BY PAGE INC. IN WRITING.		PAGE <small>1500000000</small> <small>1500000000</small> <small>1500000000</small>	
TOLERANCES DIMENSIONS IN PARENTS DIMENSIONS IN PARENTS DIMENSIONS IN PARENTS DIMENSIONS IN PARENTS DIMENSIONS IN PARENTS DIMENSIONS IN PARENTS		HOT SPOT 150 W/ACCESSORIES	
FINISH		ITEM NO 17794	
MATERIAL		QTY R8040-0001	
SCALE		SHEET 1 OF 1	



PROPRIETARY PARTS LIST

The data in this proposal shall not be used or disclosed, except for evaluation purposes, provided that if a contract is awarded to this submitter as a result of or in connection with the submission of this proposal, the Government shall have the right to use or disclose this technical data to the extent provided in the contract. This restriction does not limit the Government's right to use or disclose any technical data which is not proprietary to the submitter or is obtained from another source without restriction.

DWG. NO: R7040-0002

REV: A EC NO: 3759 DATE: 3/4/94
 AMENDED P/L FORMAT: 8/23/94

APP: 

TITLE: HOT SPOT 150

INDEX	REFERENCE NO.	PART NO.	DESCRIPTION	FSCM	QTY
REF	2A1	7040-0002	HOT SPOT 150	17794	1
1	2A1A1	6040-0001	SURFACE PLATE/HTR. ASSY	17794	1
2	2A1A2	6020-0070	PCB UNIT, MAIN/DISPLAY	17794	1
3-5			ITEM NUMBERS NOT USED		
6	2A1F1	1159-0221	FUSE, 3.15A S.B.	17794	1
		FST034.3122		61935	
		2183.15		7E222	
7	2A1H1	1405-0569	SCREW, HEX HD., #6-32 X 1/2" LG.	17794	1
		GENERIC		ZZZ	
8	2A1H2	1405-0569	SCREW, HEX HD., #6-32 X 1/2" LG.	17794	3
		GENERIC		ZZZ	
9	2A1 H3	1405-0031	SCREW, BINDERHD., #6-32 X 1/2" LG.	17794	6
		GENERIC		ZZZ	
10	2A1H4	1405-0572	SCREW, FLAT HD., #8-32 X 3/8" LG.	17794	4
		GENERIC		ZZZ	
11A	2A1H5	1405-0570	SCREW, HEX HD., #8-32 X 5/8" LG.	17794	1
11B	2A1H6	1405-0570	SCREW, HEX HD., #8-32 X 5/8" LG.	17794	4
12	2A1H7	1410-0088	NUT, HEX, #6-32	17794	6
		GENERIC		ZZZ	
13A	2A1H8	1410-0021	NUT, W/LOCKWASHER, #8-32	17794	4
		GENERIC		ZZZ	
13B	2A1H9	1410-0021	NUT, W/LOCKWASHER, #8-32	17794	2
		GENERIC		ZZZ	
14	2A1H10	1405-0530	SCREW, BLK., BUTTON HD. #6-32 X 1/4" LG.	17794	2
		GENERIC		ZZZ	
15A	2A1H11	1415-0054	WASHER, FLAT, 7/16" DIA.	17794	1
		TE-7871-141		0GCWA	

DWG. NO: R7040-0002

REV: A EC NO: 3759 DATE: 3/4/94
AMENDED P/L FORMAT: 8/23/94

APP:

TITLE: HOT SPOT 150

INDEX	REFERENCE NO.	PART NO.	DESCRIPTION	FSCM	QTY
15B	2A1H12	1415-0054 TE-7871-141	WASHER, FLAT, 7/16" DIA.	17794 0GCW4	3
16A	2A1H13	1420-0001 GENERIC	RIVET, .093 X 1/4"	17794 ZZZ	2
16B	2A1H14	1420-0001 GENERIC	RIVET, .093 X 1/4"	17794 ZZZ	2
17A	2A1H15	1405-0571 GENERIC	SCREW, THREAD FORMING, PAN HD., #8-32 X .38" LG.	17794 ZZZ	4
17B	2A1H16	1405-0571 GENERIC	SCREW, THREAD FORMING, PAN HD., #8-32 X .38" LG.	17794 ZZZ	4
18	2A1H17	1405-0466-04 GENERIC	SCREW, NYLON, #4-40 X .312" LG.	17794 ZZZ	1
19-25			ITEM NUMBERS NOT USED		
26	2A1J31	1207-0179 SJ-151 (12mm)	JACK SUBMINIATURE	17794 ZZZ	1
27	2A1MP1	1335-0074	SUPPORT PLATE ASSY	17794	1
28A	2A1MP2	2320-0015	EXTRUSION	17794	1
28B	2A1MP3	2320-0015	EXTRUSION	17794	1
29	2A1MP4	1257-0107	LOCKING PLATE	17794	1
30	2A1MP5	1313-0102	COVER, BOTTOM	17794	1
31	2A1MP6	1313-0103	COVER, TOP	17794	1
32	2A1MP7	1215-0086	SPACER, SPECIAL, LOCKING	17794	4
33	2A1MP8	1221-0086	SPRING, SPECIAL, 1.120" LG	17794	4
34	2A1MP9	1251-0043	COLLAR	17794	1
35	2A1MP10	1215-0087	SPACER, SPECIAL	17794	1
36	2A1MP11	1209-0026	GRIP, VINYL, RED	17794	1
37	2A1MP12	5002-0009	INSULATOR, FISH PAPER	17794	1
38	2A1MP13	1351-0479	LABEL, CAUTION, SURFACE	17794	1
39	2A1MP14	1257-0114	BRACKET	17794	1
40	2A1MP15	1215-0088 A-3902-832-0	STANDOFF, 1/4" HEX X 1/4" LG.	17794 0GCW4	4
41	2A1MP16	1274-0029 1343-W0437-26012	BUMPER	17794 70485	6

DWG. NO: R7040-0002

REV: A EC NO: 3759 DATE: 3/4/94
AMENDED P/L FORMAT: 8/23/94

APP:

TITLE: HOT SPOT 150

INDEX	REFERENCE NO.	PART NO.	DESCRIPTION	FSCM	QTY
42	2A1MP17	1215-0089 A-3911-632-0	STANDOFF, 1/4" HEX X .81" LG.	17794 00CW4	3
43	2A1MP18	1415-0027	LOCKING PLATE	17794	1
44	2A1MP19	1215-0090 A-3910-632-0	STANDOFF, 1/4" HEX X 3/4" LG.	17794 00CW4	1
45	2A1MP20	1335-0132	PANEL, REAR	17794	1
46	2A1MP21	1215-0093	SPACER	17794	1
47	2A1MP22	1101-0001 372 (BLACK)	STRAIN RELIEF, BUSHING	17794 28320	1
48	2A1MP23	1346-0010 FIT 221-1/8"	TUBING, HEAT SHRINK, 1/8" (QTY 2@1/2" EACH)	17794 92194	1"
49	2A1MP24	1335-0077	PANEL, FRONT W/STUD	17794	1
50	2A1MP25	1351-0474	OVERLAY, FRONT PANEL	17794	1
51A	2A1MP26	1222-0043 GR-30P-2	KNOB, POINTER TYPE, 1/8" DIA, SHAFT	17794 86797	1
51B	2A1MP27	1222-0043 GR-30P-2	KNOB, POINTER TYPE, 1/8" DIA, SHAFT	17794 86797	1
52A	2A1MP28	1171-0006 5081-3	CAP, SWITCH, MOMENTARY, RED	17794 ZZZ	1
52B	2A1MP29	1171-0006 5081-3	CAP, SWITCH, MOMENTARY, RED	17794 ZZZ	1
53A	2A1MP30	1346-0021 FIT 221-3/32"	TUBING, HEAT SHRINK, 3/32" (QTY 8@1/2" LG. EACH)	17794 92194	4"
53B	2A1MP31	1346-0021 FIT 221-3/32"	TUBING, HEAT SHRINK, 3/32" (QTY 2@1/2" LG. EACH)	17794 92194	1"
54	2A1MP32	1351-0472	LABEL, S/N, HOT SPOT 150	17794	1
55-60	2A1SW1	1157-0052 6-221-5-919-0-9-V	ITEM NUMBERS NOT USED		
61	2A1SW2	1157-0051 JMT-323 (MODEL: TOG-323)	SWITCH, MINIATURE, W/HIGH BARRIER	17794 73359	1
62	2A1SW3	1157-0050 JMT-123 (MODEL: TOG-123)	SWITCH, TOGGLE, 3 PDT	17794 9A069	1
63	2A1SW3	1157-0050 JMT-123 (MODEL: TOG-123)	SWITCH, TOGGLE, SPDT	17794 9A069	1
64	2A1W1	3008-0014	WIRE HARNESS, HOT SPOT	17794	1

DWG. NO: R7040-0002

REV: A EC NO: 3759 DATE: 3/4/94
AMENDED P/L FORMAT: 8/23/94

APP:

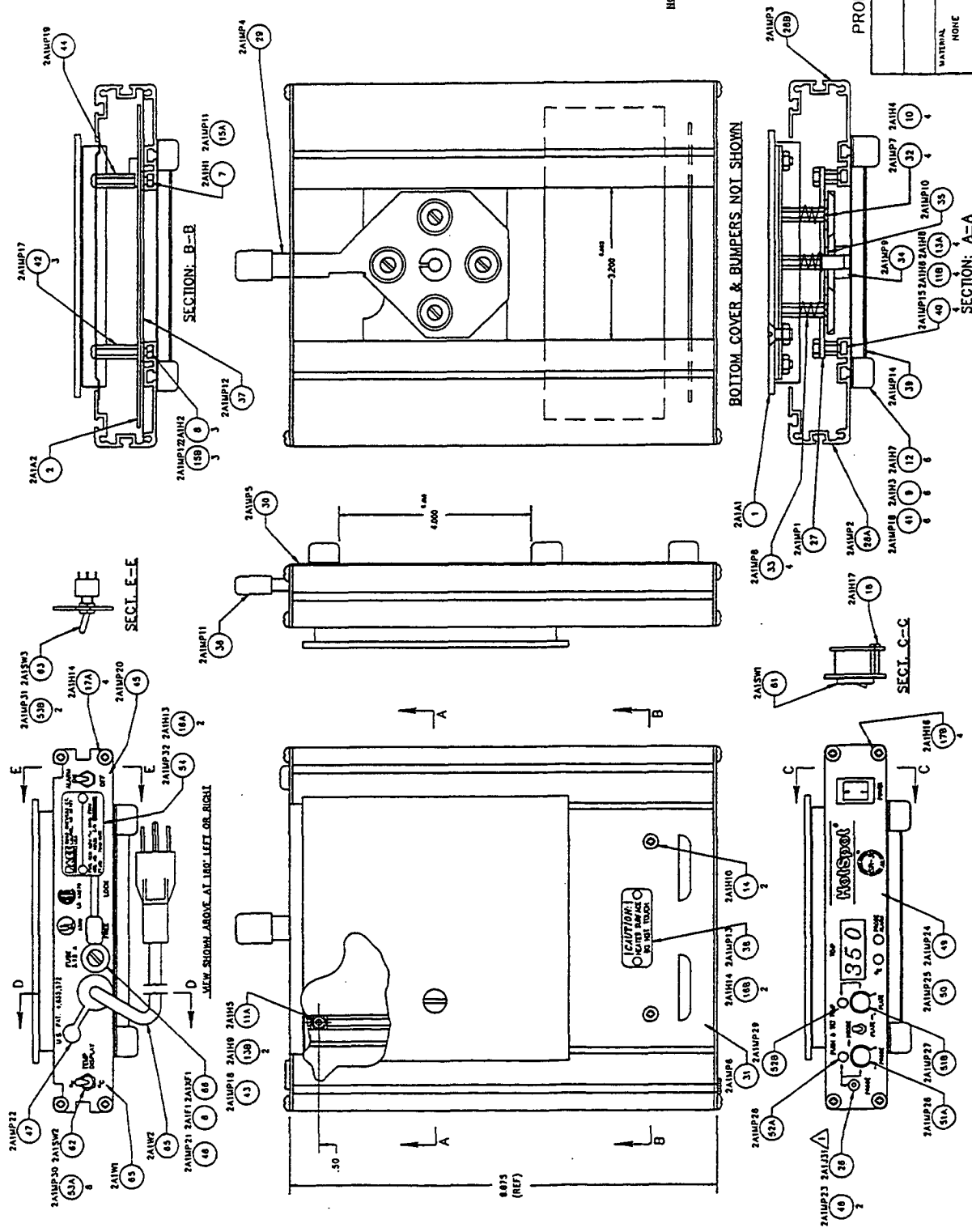


TITLE: HOT SPOT 150

INDEX	REFERENCE NO.	PART NO.	DESCRIPTION	FSCM	QTY
65	2A1W2	1332-0113	POWER CORD, HOT SPOT	17794	1
66	2A1XF1	1161-0008 FEF 031-1081	FUSE HOLDER	17794 61935	1 1

BLANK

REV	DATE	BY	CHKD
1	10/15/53	W. J.



NOTES:

GOOD HEATSHRINK TUBING TO JACK PLUG. SOLDER HEATSHRINK TUBING TO JACK PLUG. SOLDER AS INSULATOR OVER SOLDER CONNECTION.

PROPRIETARY ASSEMBLY DRAWING

HOT SPOT 150 ASSEMBLY	
DATE: 10/15/53	BY: W. J. ...
DESIGNED BY: ...	CHECKED BY: ...
MATERIAL: NONE	FINISH: NONE
FORM NO: R7040-0002	REV: 1 OF 1

7040-0002



PROPRIETARY PARTS LIST

The data in this proposal shall not be used or disclosed, except for evaluation purposes, provided that if a contract is awarded to this submitter as a result of or in connection with the submission of this proposal, the Government shall have the right to use or disclose this technical data to the extent provided in the contract. This restriction does not limit the Government's right to use or disclose any technical data which is not proprietary to the submitter or is obtained from another source without restriction.

DWG. NO: R6040-0001

REV: A EC NO: 3759 DATE: 3/4/94
AMENDED P/L FORMAT: 8/23/94

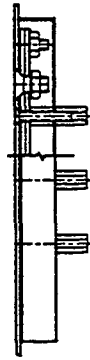
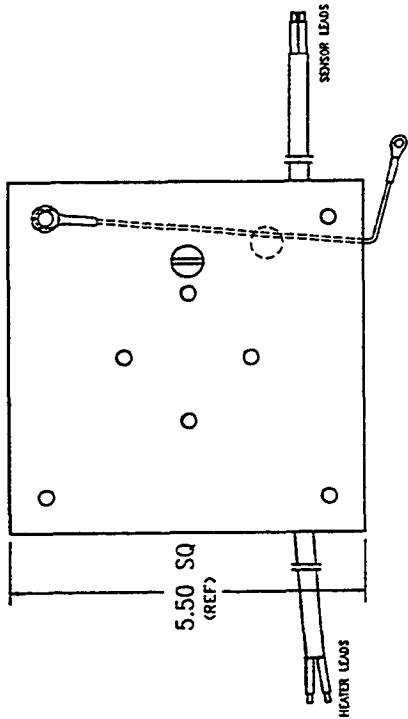
APP: *MA*

TITLE: SURFACE PLATE/HTR.. ASSY

INDEX	REFERENCE NO.	PART NO.	DESCRIPTION	FSCM	QTY
REF	2A1A1	6040-0001	SURFACE PLATE/HTR. ASSY	17794	REF

DWG NO. B

REVISIONS		DESIGN NO.	DESIGNER	DATE	RELEASE APPROVAL
LEVEL	AUTHORIZATION	NO.	INITIALS		INITIALS
A	EC 3759	C. CARDINO	M. PANT	5/7/84	



The data in this proposal shall not be used or disclosed, except for evaluation purposes, provided that if a contract is awarded to this submitter as a result of or in connection with the submission of this proposal, the Government shall have the right to use or disclose this technical data to the extent provided in the contract. This restriction does not limit the Government's right to use or disclose any technical data which is not proprietary to the submitter or is obtained from another source without restriction.

PROPRIETARY ASSEMBLY DRAWING

THIS DRAWING CONTAINS INFORMATION PROPRIETARY TO PACE INC. ANY REPRODUCTION, DISCLOSURE OR USE OF THIS DRAWING IS EXPRESSLY PROHIBITED EXCEPT AS PACE INC. MAY OTHERWISE AGREE IN WRITING.	PAGE [®] PACE, Incorporated 1000 West 10th Street Fort Collins, CO 80521 USA TEL (970) 482-2400 FAX (970) 482-2100 Systems for Development, Production, and Repair of Electronic Assemblies		SURFACE PLATE AND HEATER ASS'Y	
	UNLESS OTHERWISE SPECIFIED DIMENSIONS ARE IN INCHES. DO NOT SCALE.	TOLERANCES 2 PLACE ± .01 3 PLACE ± .005 ANGLES ± .5°	F.S.C.M. NO. 17794 DWG. NO. R6040-0001	REF. SCALE 1/1 SK - SHEET 1 OF 1
MATERIAL NONE FINISH NONE				



PROPRIETARY PARTS LIST

The data in this proposal shall not be used or disclosed, except for evaluation purposes, provided that if a contract is awarded to this submitter as a result of or in connection with the submission of this proposal, the Government shall have the right to use or disclose this technical data to the extent provided in the contract. This restriction does not limit the Government's right to use or disclose any technical data which is not proprietary to the submitter or is obtained from another source without restriction.

DWG. NO: R6020-0070

REV: A EC NO: 3759 DATE: 3/4/94
AMENDED P/L FORMAT: 8/23/94

APP: *MA*

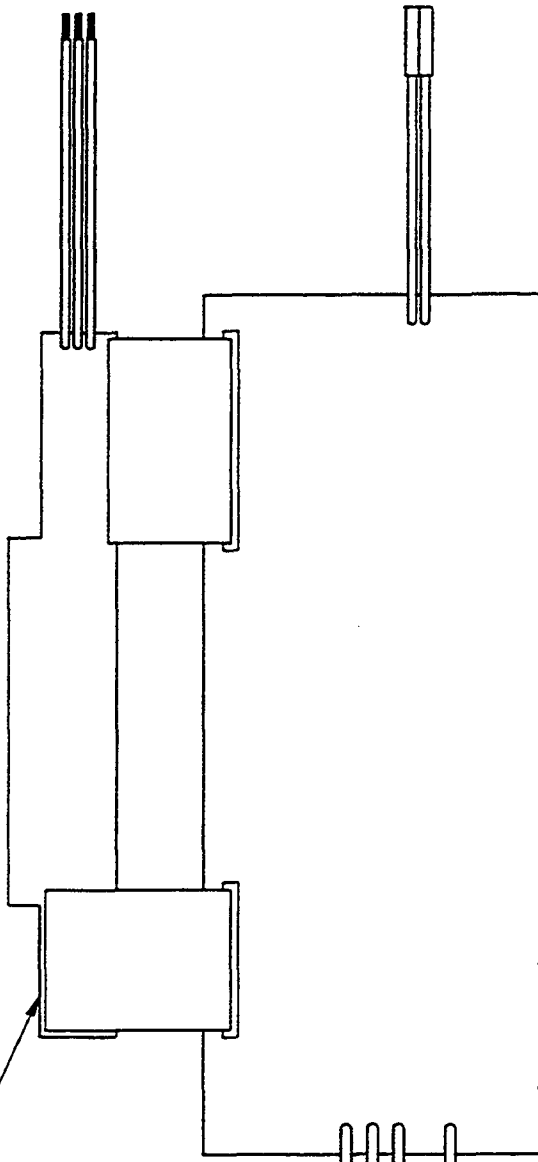
TITLE: PCB UNIT, MAIN/DISPLAY

INDEX	REFERENCE NO.	PART NO.	DESCRIPTION	FSCM	QTY
REF	2A1A2	6020-0070	PCB UNIT, MAIN/DISPLAY	17794	REF
1	2A1A2A1	6020-0042	PCB ASSY, MAIN	17794	1
2	2A1A2A2	6020-0043	PCB ASSY, DISPLAY	17794	1

DWG NO. B

REVISIONS		DES. ENO. INITIAL	MFG. ENO. INITIAL	RELEASE APPROVAL INITIAL/DATE
A	AUTHORIZATION EC 3758	C. CARONO	M. PART	3/4/84

2A2A2



2A2A1



The data in this proposal shall not be used or disclosed, except for evaluation purposes, provided that no copy is made or used by the submitter, as a result of the disclosure of the information of this proposal. The Government shall retain the right to use or disclose any technical information in the contract. This restriction does not limit the Government's right to use or disclose any technical data which is not proprietary to the submitter or is obtained from another source without restriction.

PROPRIETARY ASSEMBLY DRAWING

THIS DRAWING CONTAINS INFORMATION PROPRIETARY TO PACE INC.. ANY REPRODUCTION, DISCLOSURE OR USE OF THIS DRAWING IS EXPRESSLY PROHIBITED EXCEPT AS PACE INC. MAY OTHERWISE AGREE IN WRITING.

RAGE
 Systems for Investigation, Production, and Repair of Electronic Assemblies
 1003 Industrial Court
 Lanham, MD 20723, U.S.A.
 TEL (301) 400-9960 FAX (301) 904-3180

UNLESS OTHERWISE SPECIFIED DIMENSIONS ARE IN INCHES. DO NOT SCALE.	TOLERANCES	
	2 PLACE	3 PLACE / ANGLES
MATERIAL NONE	± .01	± .005 ± .5°
	FINISH NONE	

PCB UNIT MAIN/DISPLAY	
F.S.C.M. NO. 17794	DWG. NO. R6020-0070

NOTE: ITEM 1 AND ITEM 2 TO BE CALIBRATE AS SET.

CAUTION
 SENSITIVE ELECTRONIC DEVICES
 DO NOT SHIP OR STORE NEAR STRONG
 ELECTROSTATIC, ELECTROMAGNETIC,
 MAGNETIC OR RADIOACTIVE FIELDS



PROPRIETARY PARTS LIST

The data in this proposal shall not be used or disclosed, except for evaluation purposes, provided that if a contract is awarded to this submitter as a result of or in connection with the submission of this proposal, the Government shall have the right to use or disclose this technical data to the extent provided in the contract. This restriction does not limit the Government's right to use or disclose any technical data which is not proprietary to the submitter or is obtained from another source without restriction.

DWG. NO: R6020-0042

REV: A EC NO: 3759 DATE: 3/4/94
 APP: *M*
 AMENDED P/L FORMAT: 8/23/94

TITLE: PCB ASSY, MAIN

INDEX	REFERENCE NO.	PART NO.	DESCRIPTION	FSCM	QTY
REF					REF
1	2A1A2A1 2A1A2A1B1	6020-0042 1187-0042 PKB8-4A0	PCB ASSY, MAIN PIEZO ALARM(B1)	17794 17794 51406	1
2	2A1A2A1C1,C2	1181-0082 K151J15COGFVAWA	CAPACITOR, 150pF,50V(C1,C2)	17794 59821	2
3	2A1A2A1C3	1181-0060 923CZ5U103M050B	CAPACITOR, .1uF,50V(C3)	17794 56289	1
4	2A1A2A1C4,C5,C6	P103M26Z5UFVPA 1181-0093 TAP106M035S	CAPACITOR, 10uF,35V,TANTALUM(C4,C5,C6)	59821 17794 04222	3
5	2A1A2A1C7	T350G106M035AS 1181-0076 UVX2211VMPA	CAPACITOR, 220uF,25V(C7)	31433 17794 53680	1
6	2A1A2A1C8	VTL220S25 3475GD221N025JN18S 1181-0075 SME25VB471M10X16LL	CAPACITOR, 470uF,25V(C8)	ZZZ ZZZ 17794 62643	1
7-15	2A1A2A1CR2	UVX1E471M1PA NRS4471M25V10X16	ITEM NUMBERS NOT USED IC., BRIDGE RECTIFIER(CR2)	53680 0E1X1	1
16		1196-0008 GENERIC		17794 ZZZ	1
17-20	2A1A2A1E11	1300-0002-10 J1000X0250T22	ITEM NUMBERS NOT USED JUMPER, 1.00" BROWN(E11-E14)	17794 ZZZ	1
22	2A1A2A1E12	1300-0002-03 J0300X0250T22	JUMPER, .30" ORANGE(E12-E13)	17794 ZZZ	1
23-25			ITEM NUMBERS NOT USED		

DWG. NO: R6020-0042

REV: A EC NO: 3759 DATE: 3/4/94

APP:

AMENDED P/L FORMAT: 8/23/94

M

TITLE: PCB ASSY, MAIN

INDEX	REFERENCE NO.	PART NO.	DESCRIPTION	FSCM	QTY
26	2A1A2A1J11	1207-0187 643647-6	CONNECTOR, 15 CONDUCTOR(J11)	17794 09769	1
27	2A1A2A1J12	1207-0188 643642-6	CONNECTOR, 10 CONDUCTOR(J12)	17794 09769	1
28	2A1A2A1J13	1207-0119-04 22-23-2101	CONNECTOR, 10 CONDUCTOR(J13)	17794 27264	1
29	2A1A2A1J14	1207-0189 102943-3	HEADER, 3 POS., .100"CTR.(J14)	17794 09769	1
30-35			ITEM NUMBERS NOT USED		
36	2A1A2A1L1	1207-0186 2-530153-2	SHUNT, 2 POSITION	17794 04618	1
37-40			ITEM NUMBERS NOT USED		
41	2A1A2A1Q1	1189-0036 T0810DJ	IC., TRIAC, T0810DJ(Q1)	17794 ZZZ	1
42	2A1A2A1Q3	Q-4008L4	TRANSISTOR, PNP PN2906(Q3)	38079	1
43	2A1A2A1Q4	1187-0062 1N2906	TRANSISTOR, P-CHANNEL MOSFET(Q4)	17794 27014	1
44-50			ITEM NUMBERS NOT USED		
51	2A1A2A1R1	1187-0080	RESISTOR, 120 OHMS, 1/2W,5%(R1)	17794	1
52	2A1A2A1R2	1179-0156 GENERIC	RESISTOR, 1 KOHM, 1/4W,5%(R2)	17794 ZZZ	1
53	2A1A2A1R3,R6,R23	1179-0134-03 GENERIC	RESISTOR, 243 KOHM, 1/8W,1%(R3,R6,R23)	17794 ZZZ	3
		1179-0177-01 CNF-55-243kohm, F, T-2		17794	
		RG243kohm, T2-55, 1%		91637	
		CRB25-243kohm-F-Y		11502	
54	2A1A2A1R4,R5,R21,R22	1179-0177-05 CNF-55-30.1kohm, F, T-2	RESISTOR, 30.1 KOHM, 1/8W,1%(R4,R5,R21,R22)	OUJTI	4
		RG30.1kohm, T2-55, 1%		17794	
		CRB25-30.1kohm-F-Y		91637	
				11502	
				OUJTI	

DWG. NO: R6020-0042

REV: A EC NO: 3759 DATE: 3/4/94
AMENDED P/L FORMAT: 8/23/94

APP:

TITLE: PCB ASSY, MAIN

INDEX	REFERENCE NO.	PART NO.	DESCRIPTION	FSCM	QTY
55	2A1A2A1R7,R24	1179-0177-09 CMF-55-1kohm, F, T-2 RG1kohm, T2-55, 1% CRB25-1kohm-F-Y	RESISTOR, 1 KOHM, 1/8W,1%(R7,R24)	17794 91637 11502 OUSTI	2
56	2A1A2A1R9	1179-0177-03 CMF-55-45.3kohm, F, T-2 RG45.3kohm, T2-55, 1% CRB25-45.3kohm-F-Y	RESISTOR, 45.3 KOHM, 1/8W,1%(R9)	17794 91637 11502 OUSTI	1
57	2A1A2A1R10	1179-0177-24 CMF-55-14.7kohm, F, T-2 RG14.7kohm, T2-55, 1% CRB25-14.7kohm-F-Y	RESISTOR, 14.7 KOHM, 1/8W,1%(R10)	17794 91637 11502 OUSTI	1
58	2A1A2A1R11,R15	1179-0177-06 CMF-55-10kohm, F, T-2 RG10kohm, T2-55, 1% CRB25-10kohm-F-Y	RESISTOR, 10 KOHM, 1/8W,1%(R11,R15)	17794 91637 11502 OUSTI	2
59	2A1A2A1R12	1179-0177-04 CMF-55-40.2kohm, F, T-2 RG40.2kohm, T2-55, 1% CRB25-40.2kohm-F-Y	RESISTOR, 40.2 KOHM, 1/8W,1%(R12)	17794 91637 11502 OUSTI	1
60	2A1A2A1R13,R14	1179-0177-10 CMF-55-750ohm, F, T-2 RG750ohm, T2-55, 1% CRB25-750ohm-F-Y	RESISTOR, 750 OHM, 1/8W,1%(R13,R14)	17794 91637 11502 OUSTI	2
61	2A1A2A1R16,R17	1179-0177-12 CMF-55-249ohm, F, T-2 RG249ohm, T2-55, 1% CRB25-249ohm-F-Y	RESISTOR, 249 OHM, 1/8W,1%(R16,R17)	17794 91637 11502 OUSTI	2
62	2A1A2A1R18,R19	1179-0177-23 CMF-55-7.68kohm, F, T-2 RG7.68kohm, T2-55, 1% CRB25-7.68kohm-F-Y	RESISTOR, 7.68 KOHM, 1/8W,1%(R18,R19)	17794 91637 11502 OUSTI	2
63	2A1A2A1R20	1179-0134-01 GENERIC	RESISTOR, 100 OHMS, 1/4W,5%(R20)	17794 ZZZ	1

DWG. NO: R6020-0042

REV: A EC NO: 3759 DATE: 3/4/94
AMENDED P/L FORMAT: 8/23/94

APP: *M*

TITLE: PCB ASSY, MAIN

INDEX	REFERENCE NO.	PART NO.	DESCRIPTION	FSCM	QTY
64	2A1A2A1R25	1179-0177-02 CMF-55-221kohm, F, T-2 RG221kohm, T2-55, 1% CRB25-221kohm-F-Y	RESISTOR, 221 KOHM, 1/8W, 1%(R25)	17794 91637 11502 OUST1	1
65	2A1A2A1R26,R32	1179-0134-15 GENERIC	RESISTOR, 10 KOHMS, 1/4W, 5%(R26,R32)	17794 ZZZ	2
66	2A1A2A1R27	1179-0134-36 GENERIC	RESISTOR, 22 KOHM, 1/4W, 5%(R27)	17794 ZZZ	1
67	2A1A2A1R28	1179-0134-51 GENERIC	RESISTOR, 430 OHMS, 1/4W, 5%(R28)	17794 ZZZ	1
68	2A1A2A1R31	1179-0134-53 GENERIC	RESISTOR, 3.3 KOHMS, 1/4W, 5%(R31)	17794 ZZZ	1
69	2A1A2A1R33	1179-0134-38 GENERIC	RESISTOR, 200 OHMS, 1/4W, 5%(R33)	17794 ZZZ	1
70	2A1A2A1R34,R35,R37,R38	1179-0170 3299W-1-501	TRIM POT, 500 OHM, 10%(R34,R35,R37,R38)	17794 32997	4
71	2A1A2A1R36	1179-0162 3299W-1-103	TRIM POT, 10 KOHM, 10%(R36)	17794 32997	1
72	2A1A2A1R39	1179-0176 3299W-1-503	TRIM POT, 50 KOHM, 10%(R39)	17794 32997	1
73	2A1A2A1R40	1179-0134-27 GENERIC	RESISTOR, 680 KOHMS, 1/4W, 5%(R40)	17794 ZZZ	1
74-80			ITEM NUMBERS NOT USED		
81	2A1A2A1T1	1192-0056 LP24-250	TRANSFORMER, 12V @ 500mA(T1)	17794 SIGNA	1
82	2A1A2A1U1	1189-0037 MOC3041	IC., OPTO-TRIAC, MOC3041(U1)	17794 82393	1
83	2A1A2A1U2	1187-0063 LM324AN LM434AN LM324AN	IC., QUAD OPAMP, LM324AN(U2)	17794 27014 01295 04713	1
84	2A1A2A1U3	1187-0060 LM10CN	IC., OPAMP, LM10CN(U3)	17794 27014	1

DWG. NO: R6020-0042

REV: A EC NO: 3759 DATE: 3/4/94
AMENDED P/L FORMAT: 8/23/94

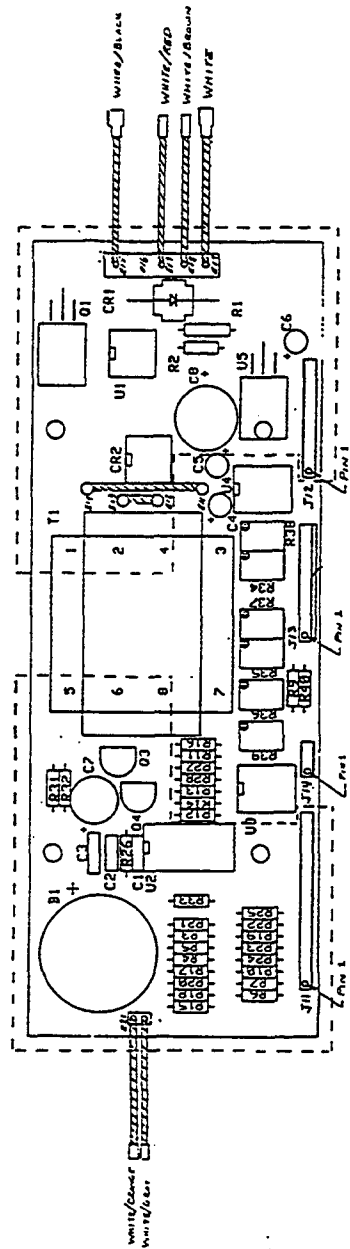
APP:



TITLE: PCB ASSY, MAIN

INDEX	REFERENCE NO.	PART NO.	DESCRIPTION	FSCM	QTY
85	2A1A2A1U4	1187-0058 ICL7660CPA	IC., VOLTAGE CONVERTER(U4)	17794 34371	1
86	2A1A2A1U5	1187-0039 LM340T-5 LM340-5	IC., +5V REGULATOR, LM340-5(U5)	17794 27014 01295	1
87-95 96	2A1A2A1W1	3008-0015	ITEM NUMBERS NOT USED WIRE HARNESS, MAIN	17794	1

REV.	DESCRIPTION	DATE	BY	CHKD
1	INITIAL			
2	REVISIONS			
3	REVISIONS			
4	REVISIONS			



CAUTION
 SENSITIVE ELECTRONIC DEVICES
 DO NOT SHIP OR STORE NEAR STRONG
 ELECTROSTATIC, ELECTROMAGNETIC,
 MAGNETIC OR RADIOACTIVE FIELDS

The data in this printed form and in any other form, including but not limited to, electronic, mechanical, photocopying, recording, and information storage and retrieval systems, is the property of the manufacturer and is to be used for the sole purpose of manufacturing the product. No part of this data may be reproduced or transmitted in any form or by any means, electronic, mechanical, photocopying, recording, and information storage and retrieval systems, without the prior written permission of the manufacturer.

PROPRIETARY ASSEMBLY DRAWING

THIS DRAWING CONTAINS INFORMATION PROPRIETARY TO PAGE INC. ANY REPRODUCTION, DISCLOSURE OR USE OF THIS DRAWING IS EXPRESSLY PROHIBITED EXCEPT AS AUTHORIZED BY PAGE INC. IN WRITING.		PAGE <small>PRECISION ELECTRONIC TECHNOLOGIES</small>	
USES DIMENSION SPECIES DIMENSIONS ARE IN INCHES DO NOT SCALE	TOLERANCES DIMENSIONS IN INCHES FRACTIONS DECIMALS ANGLES ±.01 ±.005 ±.5°	PCB ASSEMBLY MAIN	
MATERIAL		TECH NO 17794	DWG NO R6020-0042
		REF SCALE - - - - -	SHEET L OF 1



PROPRIETARY PARTS LIST

The data in this proposal shall not be used or disclosed, except for evaluation purposes, provided that if a contract is awarded to this submitter as a result of or in connection with the submission of this proposal, the Government shall have the right to use or disclose this technical data to the extent provided in the contract. This restriction does not limit the Government's right to use or disclose any technical data which is not proprietary to the submitter or is obtained from another source without restriction.

DWG. NO: R3008-0015

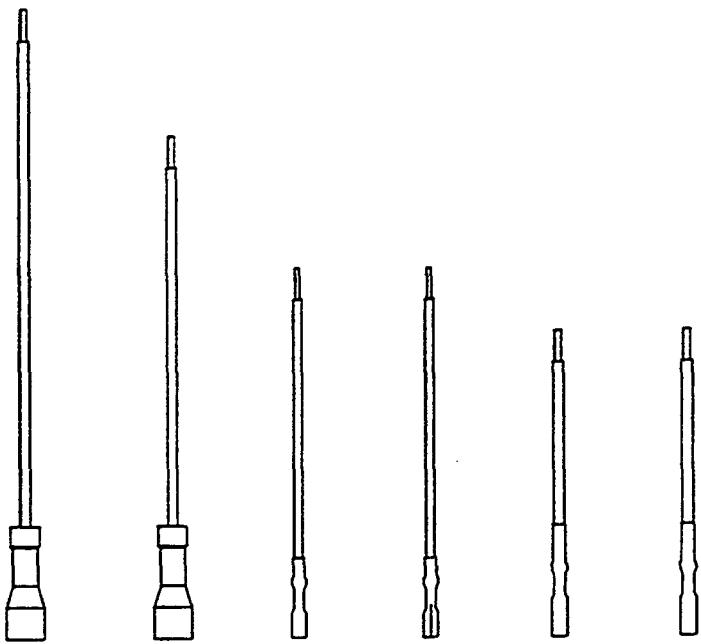
REV: A EC NO: 3759 DATE: 3/4/94 APP: *M*
AMENDED P/L FORMAT: 8/23/94

TITLE: WIRE HARNESS, MAIN, HOT SPOT

INDEX	REFERENCE NO.	PART NO.	DESCRIPTION	FSCM	QTY
REF	2A1A2A1W1	3008-0015	WIRE HARNESS, MAIN, HOT SPOT	17794	REF

DWG NO. B

REVISIONS		DATE	BY	INITIALS	RELEASE APPROVAL
LEVEL	AUTHORIZATION				
A	EC 3759		C. CARDNO	M. PANT	3/1/84



The data in this packet shall not be used or disclosed, except for evaluation purposes, provided that it is used in accordance with the terms of the contract. The Government shall have the right to use or disclose the technical data to the extent provided in the contract. This restriction does not limit the Government's right to use or disclose any technical data which is not proprietary to the submitter or is obtained from another source without restriction.

PROPRIETARY SOURCE CONTROL DRAWING

THIS DRAWING CONTAINS INFORMATION PROPRIETARY TO PACE INC. ANY REPRODUCTION, DISCLOSURE OR USE OF THIS DRAWING IS EXPRESSLY PROHIBITED EXCEPT AS PACE INC. MAY OTHERWISE AGREE IN WRITING.	PAGE <small>PAGE, Incorporated 8463 Business Court Fort Worth, Texas 76116 TEL: (817) 490-5900 FAX: (817) 490-3180</small>		WIRE HARNESS MAIN, HOT SPOT	
	UNLESS OTHERWISE SPECIFIED DIMENSIONS ARE IN INCHES. DO NOT SCALE.		F.S.C.M. NO. 17794 DWG. NO. R3008-0015	
TOLERANCES 2 PLACE ± .01 3 PLACE ± .005 ANGLES ± .5°		FINISH --		REF. SCALE 1/2" = 1"
MATERIAL --		SK --		SHEET 1 OF 1



PROPRIETARY PARTS LIST

The data in this proposal shall not be used or disclosed, except for evaluation purposes, provided that if a contract is awarded to this submitter as a result of or in connection with the submission of this proposal, the Government shall have the right to use or disclose this technical data to the extent provided in the contract. This restriction does not limit the Government's right to use or disclose any technical data which is not proprietary to the submitter or is obtained from another source without restriction.

DWG. NO: R6020-0043

REV: A EC NO: 3759 DATE: 3/4/94
 AMENDED P/L FORMAT: 8/23/94

APP: *M*

TITLE: PCB ASSY, DISPLAY

INDEX	REFERENCE NO.	PART NO.	DESCRIPTION	FSCM	QTY
REF 1	2A1A2A2 2A1A2A2C1	6020-0043 1181-0083 923CZ5U103M1050B P103M26Z5UFVFWA	PCB ASSY, DISPLAY CAPACITOR, .01uF, 50V(C1)	17794 17794 56289 59821	REF 1
2	2A1A2A2C2	1181-0092 MKT1817447065	CAPACITOR, .47uF, 63V(C2)	17794 4U402	1
3	2A1A2A2C3	1181-0091 MKT1817415065	CAPACITOR, .15uF, 63V(C3)	17794 4U402	1
4	2A1A2A2C4	1181-0060 923CZ5U103M1050B P103M26Z5UFVFWA	CAPACITOR, .1uF, 50V(C4)	17794 56289 59821	1
5	2A1A2A2C5	1181-0087 MID015A391JAA	CAPACITOR, 390pF, 50V(C5)	17794 04222	1
6-10 11	2A1A2A2D1,D2,D3	1183-0034 SEA3111 S082-7611	ITEM NUMBERS NOT USED DISPLAY, 7-SEGMENT,LED(D1,D2,D3)	17794 ZZZ 28480	3
12	2A1A2A2D4,D5	1183-0035 ID5753 SE5051D HILNIP-4601	LED, DIFFUSED,RED(D4,D5)	17794 53763 ZZZ 28480	2
13-20 21	2A1A2A2J1	1332-0119 1-88665-4 15-002-171	ITEM NUMBERS NOT USED CABLE, FLAT, 15 CONDUCTOR(J1)	17794 09769 51167	1
22	2A1A2A2J2	1332-0120 86942-9 10-002.5-171	CABLE, FLAT, 10 CONDUCTOR(J2)	17794 09769 51167	1

DWG. NO: R6020-0043

REV: A EC NO: 3759 DATE: 3/4/94
AMENDED P/L FORMAT: 8/23/94

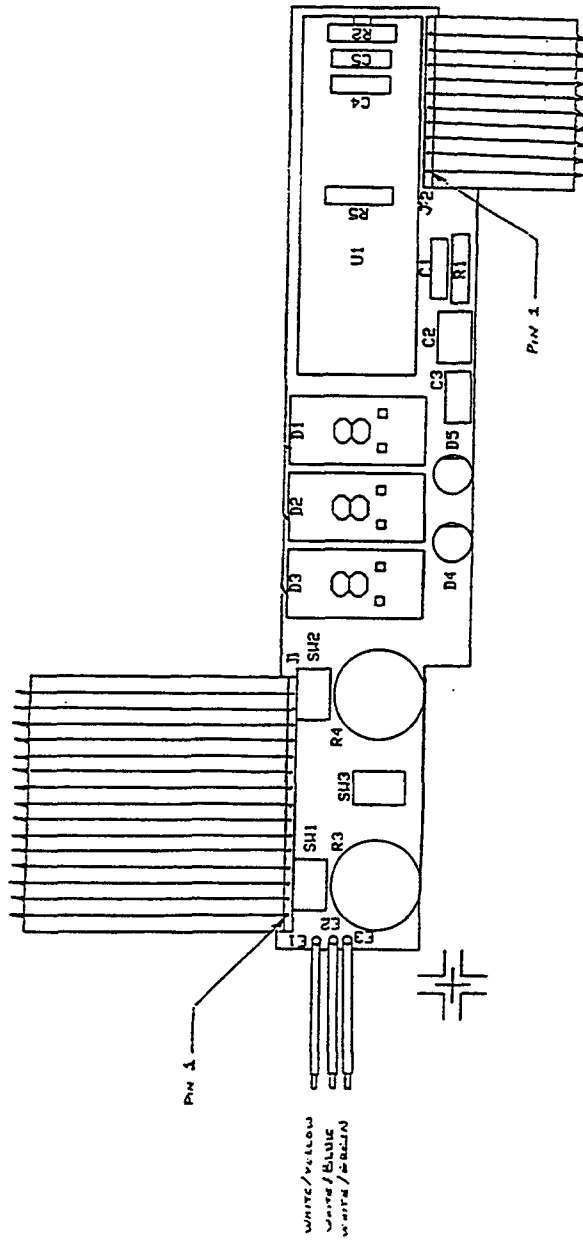
APP:

TITLE: PCB ASSY, DISPLAY

INDEX	REFERENCE NO.	PART NO.	DESCRIPTION	FSCM	QTY
23	2A1A2A2MP1,MP2	1215-0095 4013	SPACER, LED, 3/8"(XD4,XD5)	17794 ZZZ	2
24-30			ITEM NUMBERS NOT USED		
31	2A1A2A2R1,R2	1179-0164-01 CCF-50-100kohm BCF-100kohm	RESISTOR, 100 KOHM, 1/8W,5%(R1,R2)	17794 91637 62438	2
32	2A1A2A2R3,R4	1179-0168 CAH45911	POTENTIOMETER, 5KOHM(R3,R4)	17794 12697	2
33	2A1A2A2R5	1179-0164-02 CCF-50-1Mohm BCF-1Mohm	RESISTOR, 1 MOHM, 1/8W,5%(R5)	17794 91637 62438	1
34-40			ITEM NUMBERS NOT USED		
41	2A1A2A2SW1,SW2	1157-0053 EPI2-D1-C-B-E	SWITCH, MOMENTARY, SPDT(SW1,SW2)	17794 ZZZ	2
42	2A1A2A2SW3	1157-0054 ET01-S-D1-C-B-E	SWITCH, TOGGLE, SPDT(SW3)	17794 ZZZ	1
43-50			ITEM NUMBERS NOT USED		
51	2A1A2A2U1	1187-0059 ICL7107CPL TSC7107CPL	IC, ICL7107 A/D CONVERTER(U1)	17794 34371 15818	1
52-60			ITEM NUMBERS NOT USED		
61	2A1A2A2W1	3008-0025	WIRE HARNESS, DISPLAY	17794	1
62	2A1A2A2XD1,XD2,XD3	1207-0178 ESS-107-11703	SOCKET, 7 PIN(XD1,XD2,XD3)	17794 55322	6
63	2A1A2A2XU1	1207-0177 2-641606-3 A-42000-4030	SOCKET, 40 PIN(XU1)	17794 09769 27264	1

BLANK

LEVEL	REVISIONS	DATE	BY	APPROVED
A	1	11-11-77	WJ	WJ
AUTOMATION		11-11-77	WJ	WJ
REVISIONS		11-11-77	WJ	WJ



CAUTION
 SENSITIVE ELECTRONIC DEVICES
 DO NOT SHIP OR STORE NEAR STRONG
 ELECTROSTATIC, ELECTROMAGNETIC,
 MAGNETIC OR RADIOACTIVE FIELDS

The data in this program shall be used as a guide only for assembly purposes, including that
 of the manufacturer. The manufacturer shall be responsible for the accuracy of the data
 provided. The manufacturer shall be responsible for the accuracy of the data provided.
 The manufacturer shall be responsible for the accuracy of the data provided.

PROPRIETARY ASSEMBLY DRAWING

THE DRAWING CONTAINS INFORMATION PROPRIETARY TO DAGE ELECTRONIC SYSTEMS, INC. ALL INFORMATION DISCLOSED OR USE OF THIS DRAWING WITHOUT THE WRITTEN PERMISSION OF DAGE ELECTRONIC SYSTEMS, INC. IS STRICTLY PROHIBITED.	
DAGE ELECTRONIC SYSTEMS, INC. 10000 WILSON AVENUE BOSTON, MASSACHUSETTS 02124	
PCB ASSEMBLY DISPLAY	
PART NO 17794	QTY R6020-0043
DRAWING NO 17794	SHEET NO 1 OF 1
TOLERANCES DIMENSIONS UNLESS OTHERWISE SPECIFIED FRACTIONS DECIMALS ANGLES .01 .005 1.5°	FINISH
MATERIAL	



PROPRIETARY PARTS LIST

The data in this proposal shall not be used or disclosed, except for evaluation purposes, provided that if a contract is awarded to this submitter as a result of or in connection with the submission of this proposal, the Government shall have the right to use or disclose this technical data to the extent provided in the contract. This restriction does not limit the Government's right to use or disclose any technical data which is not proprietary to the submitter or is obtained from another source without restriction.

DWG. NO: R3008-0025

REV: A EC NO: 3759 DATE: 3/4/94
AMENDED P/L FORMAT: 8/23/94

APP: *M*

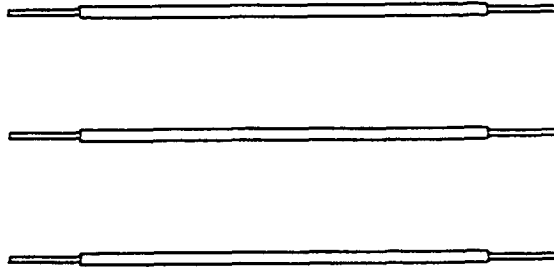
TITLE: WIRE HARNESS, DISPLAY, HOT SPOT

INDEX	REFERENCE NO.	PART NO.	DESCRIPTION	FSCM	QTY
-------	---------------	----------	-------------	------	-----

REF	2A1A2A2W1	3008-0025	WIRE HARNESS, DISPLAY, HOT SPOT	17794	REF
-----	-----------	-----------	---------------------------------	-------	-----


DWG NO.
 A R 3008 - 0025
 A

REVISIONS				
LEVEL	AUTHORIZATION	DES. ENG. INITIAL	MFG. ENG. INITIAL	RELEASE APPROVAL INITIAL/DATE
A	EC 3759	C.CARDNO	M.PANT	3/4/94



The data in this proposal shall not be used or disclosed, except for evaluation purposes, provided that if a contract is awarded to this submitter as a result of or in connection with the submission of this proposal, the Government shall have the right to use or disclose this technical data to the extent provided in the contract. This restriction does not limit the Government's right to use or disclose any technical data which is not proprietary to the submitter or is obtained from another source without restriction.

PROPRIETARY SOURCE CONTROL DRAWING

THIS DRAWING CONTAINS INFORMATION PROPRIETARY TO PACE INC.. ANY REPRODUCTION, DISCLOSURE OR USE OF THIS DRAWING IS EXPRESSLY PROHIBITED EXCEPT AS PACE INC. MAY OTHERWISE AGREE IN WRITING.		 PACE, Incorporated 9600 Brewers Court Laurel, MD 20723, U.S.A. TEL (301) 480-8800 FAX (301) 604-2100 Systems for Development, Production, and Repair of Electronic Assemblies		
UNLESS OTHERWISE SPECIFIED DIMENSIONS ARE IN INCHES. DO NOT SCALE.	TOLERANCES			<h1 style="text-align: center;">WIRE HARNESS</h1> <h2 style="text-align: center;">MAIN, HOT SPOT</h2>
	2 PLACE	3 PLACE	ANGLES	
	± .01	± .005	± .5°	
MATERIAL	FINISH		F.S.C.M. NO. <h1 style="text-align: center;">17794</h1>	DWG. NO. <h1 style="text-align: center;">R3008-0025</h1>
			REF. SCALE 1/1	SK



PROPRIETARY PARTS LIST

The data in this proposal shall not be used or disclosed, except for evaluation purposes, provided that if a contract is awarded to this submitter as a result of or in connection with the submission of this proposal, the Government shall have the right to use or disclose this technical data to the extent provided in the contract. This restriction does not limit the Government's right to use or disclose any technical data which is not proprietary to the submitter or is obtained from another source without restriction.

DWG. NO: R3008-0014

REV: A EC NO: 3759 DATE: 3/4/94
AMENDED P/L FORMAT: 8/23/94

APP: *AK*

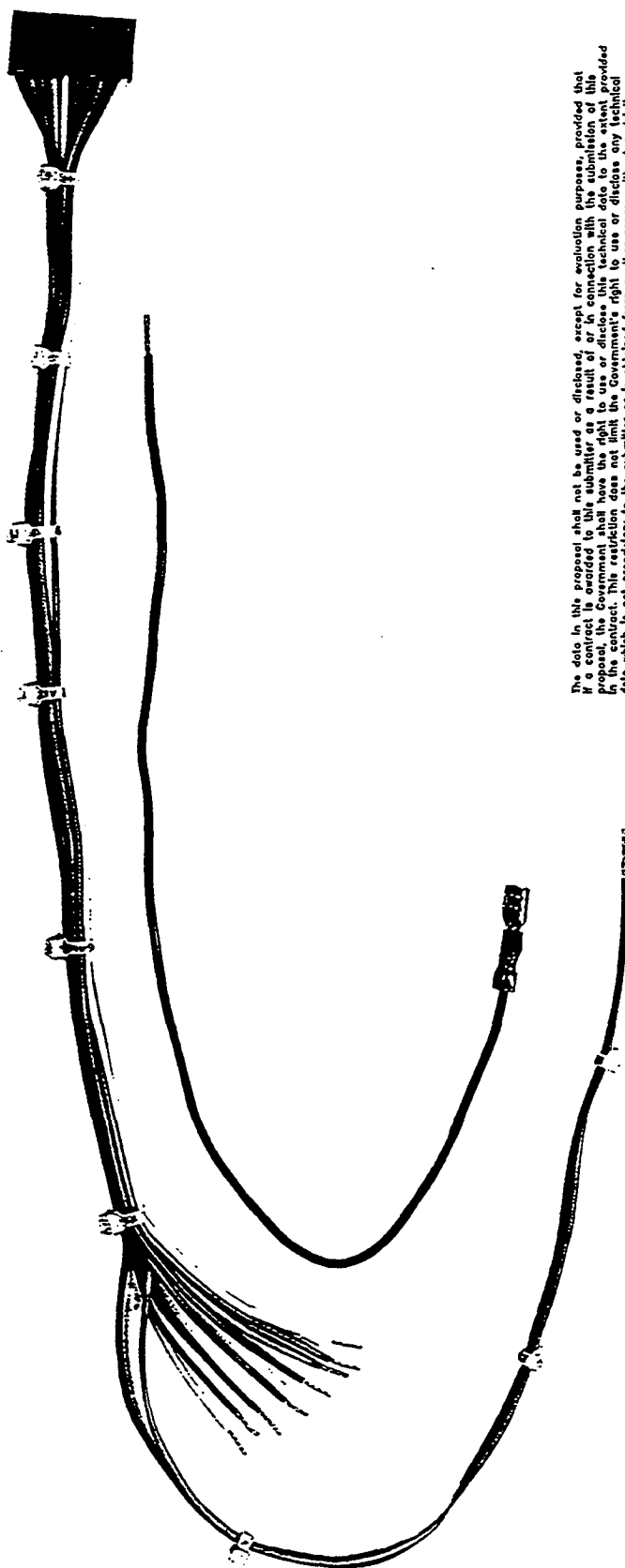
TITLE: WIRE HARNESS, HOT SPOT

INDEX	REFERENCE NO.	PART NO.	DESCRIPTION	FSCM	QTY
-------	---------------	----------	-------------	------	-----

REF	2A1W1	3008-0014	WIRE HARNESS, HOT SPOT	17794	REF
-----	-------	-----------	------------------------	-------	-----

DWG NO.
B

REVISIONS		DESIGN INITIAL	DATE	RELEASE APPROVAL INITIAL	DATE
LEVEL	A	AUTHORIZATION	EC 3759	C. SARDINO	M. PAIT
				3/14/84	



The data in this proposal shall not be used or disclosed, except for evaluation purposes, provided that if a contract is awarded to the submitter as a result of or in connection with the submission of this proposal, the Government shall have the right to use or disclose this technical data to the extent provided in the contract. This restriction does not limit the Government's right to use or disclose any technical data which is not proprietary to the submitter or is obtained from another source without restriction.

PROPRIETARY SOURCE CONTROL DRAWING

THIS DRAWING CONTAINS INFORMATION PROPRIETARY TO PACE INC. ANY REPRODUCTION, DISCLOSURE OR USE OF THIS DRAWING IS EXPRESSLY PROHIBITED EXCEPT AS PACE INC. MAY OTHERWISE AGREE IN WRITING.	PAGE [®] PACE, Incorporated 8803 Stevens Court Dallas, Texas 75241 TEL (214) 490-1800 FAX (214) 490-2100	
	SYSTEMS for Development, Production, and Repair of Electronic Assemblies	
UNLESS OTHERWISE SPECIFIED DIMENSIONS ARE IN INCHES. DO NOT SCALE.	TOLERANCES 2 PLACE ± .01 3 PLACE ± .005 ANGLES ± .5°	WIRE HARNESS HOT SPOT
MATERIAL --	FINISH --	F.S.C.M. NO. 17794 DWG. NO. R3008-0014
REF. SCALE --	SK --	SHEET 1 OF 1



PROPRIETARY PARTS LIST

The data in this proposal shall not be used or disclosed, except for evaluation purposes, provided that if a contract is awarded to this submitter, as a result of or in connection with the submission of this proposal, the Government shall have the right to use or disclose this technical data to the extent provided in the contract. This restriction does not limit the Government's right to use or disclose any technical data which is not proprietary to the submitter or is obtained from another source without restriction.

DWG. NO: R6040-0002

REV: A EC NO: 3759 DATE: 3/4/94
AMENDED P/L FORMAT: 8/23/94

APP: *mm*

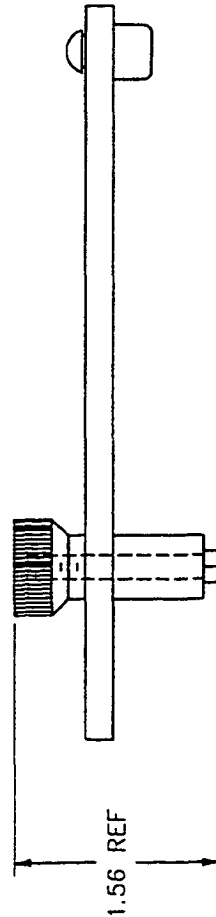
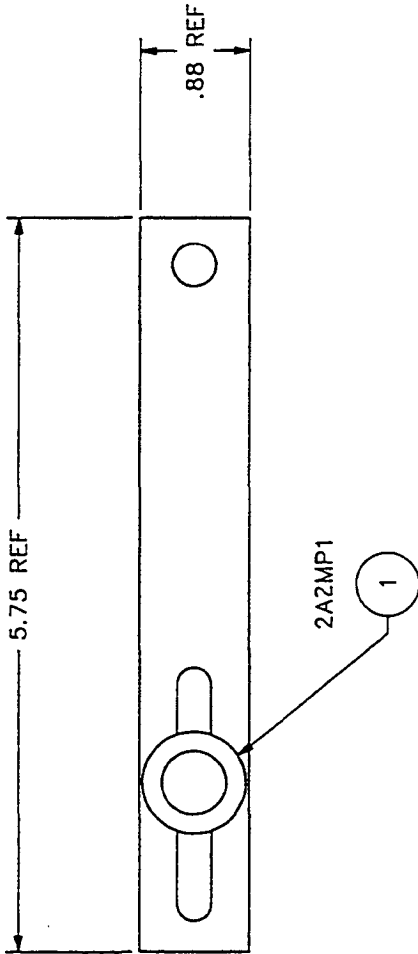
TITLE: ASSY, CLAMP ARM

INDEX	REFERENCE NO.	PART NO.	DESCRIPTION	FSCM	QTY
REF	2A2	6040-0002	ASSY, CLAMP ARM	17794	REF
1	2A2MP1	1222-0044	KNOB, BLACK	17794	1
		DK-40		01599	

DWG NO.
B

LEVEL A	AUTHORIZATION EC 3759	DESIGNER INITIAL C. CARDNO	DATE 3/4/84
		MFG ENGR INITIAL M. PANT	RELEASE APPROVAL INITIAL/DATE

REVISIONS



The data in this proposal shall not be used or disclosed, except for evaluation purposes, provided that if a contract is awarded to this submitter as a result of or in connection with the submission of this proposal, the Government shall have the right to use or disclose this technical data to the extent provided in the contract. This restriction does not limit the Government's right to use or disclose any technical data which is not proprietary to the submitter or is obtained from another source without restriction.

PROPRIETARY ASSEMBLY DRAWING

THIS DRAWING CONTAINS INFORMATION PROPRIETARY TO PACE INC.. ANY REPRODUCTION, DISCLOSURE OR USE OF THIS DRAWING IS EXPRESSLY PROHIBITED EXCEPT AS PACE INC. MAY OTHERWISE AGREE IN WRITING.

PACE
PACE, Incorporated
 10000 W. 10th Street
 Overland Park, MO 66212, U.S.A.
 TEL: (913) 400-9400 FAX: (913) 400-3100
 Systems for Development, Production, and Repair of Electronic Assemblies

UNLESS OTHERWISE SPECIFIED DIMENSIONS ARE IN INCHES. DO NOT SCALE.	TOLERANCES	
	2 PLACE ± .01	3 PLACE ANGLES ± .5°

MATERIAL NONE	FINISH NONE
------------------	----------------

CLAMP, ARM ASSEMBLY

F.S.C.M. NO. 17794
 DWG. NO. R6040-0002

REF. SCALE 1/1 SK - SHEET 1 OF 1



PROPRIETARY PARTS LIST

The data in this proposal shall not be used or disclosed, except for evaluation purposes, provided that if a contract is awarded to this submitter as a result of or in connection with the submission of this proposal, the Government shall have the right to use or disclose this technical data to the extent provided in the contract. This restriction does not limit the Government's right to use or disclose any technical data which is not proprietary to the submitter or is obtained from another source without restriction.

DWG. NO: R6993-0102

REV: A EC NO: 3759 DATE: 3/4/94
AMENDED P/L FORMAT: 8/23/94

APP: *PC*

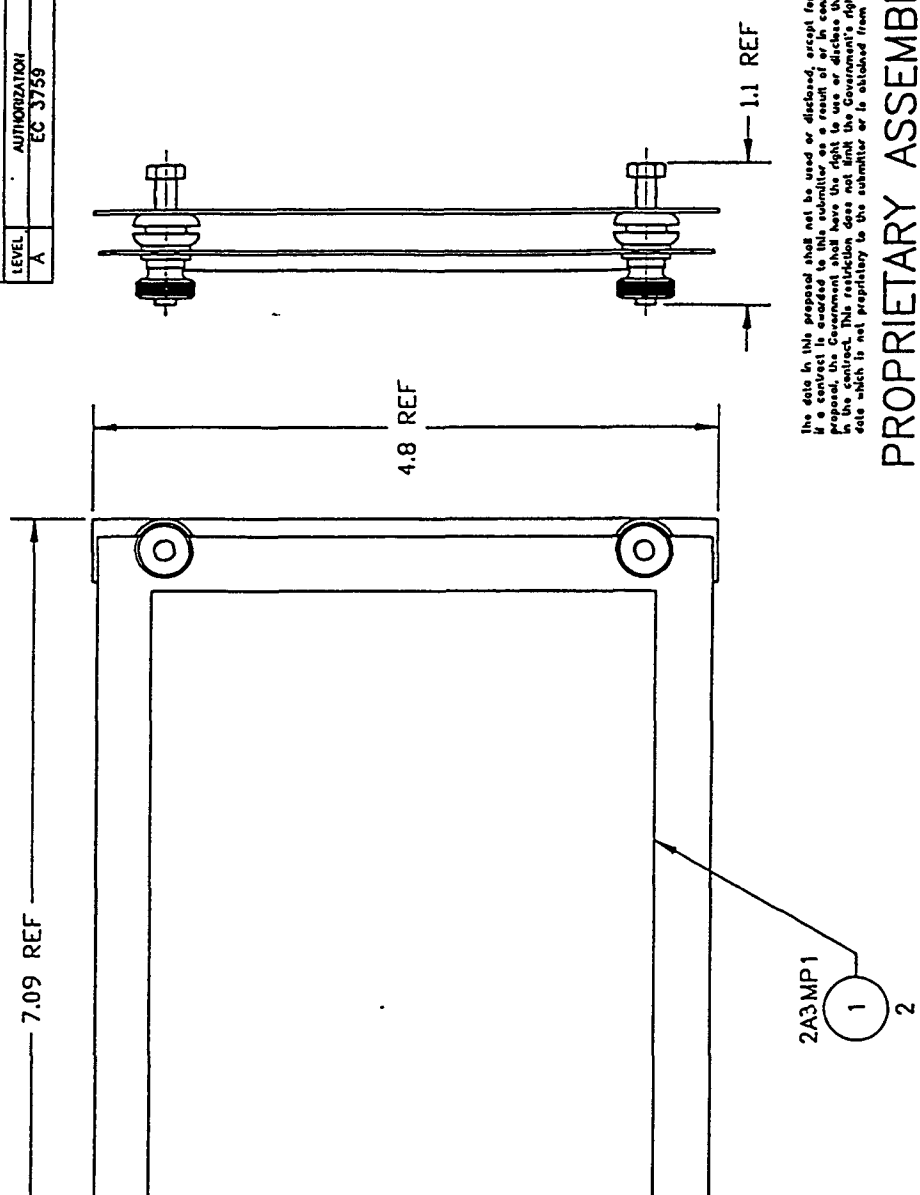
TITLE: ASSY, THERMAL SELECTIVITY

INDEX	REFERENCE NO.	PART NO.	DESCRIPTION	FSCM	QTY
-------	---------------	----------	-------------	------	-----

REF	2A3	6993-0102	ASSY, THERMAL SELECTIVITY	17794	REF
1	2A3MP1	1317-0018	PAD, ADHESIVE BACKED, 4" X 6"	17794	2

DWG NO.
B

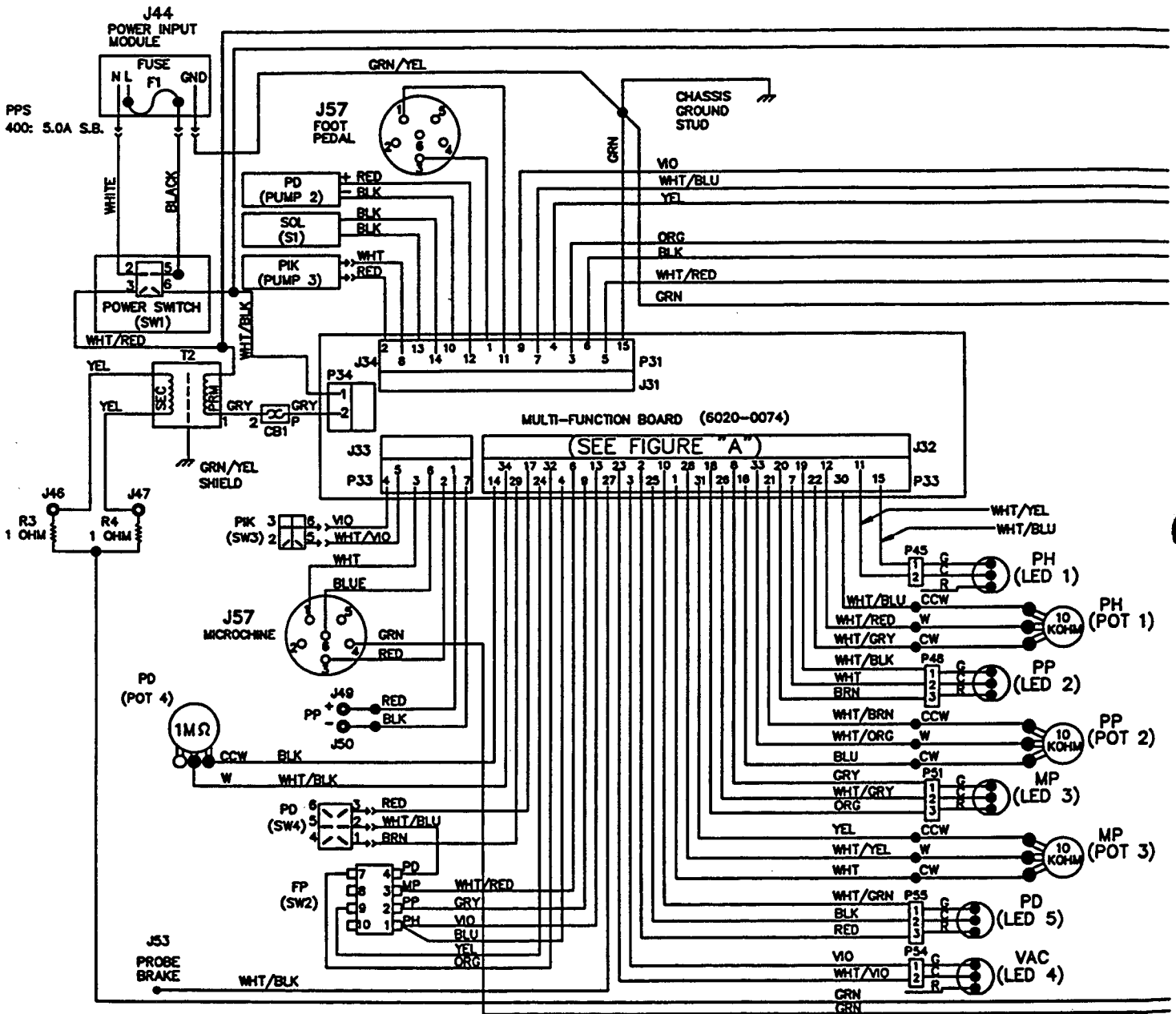
REVISIONS		DES. ENO.	INFO. ENO.	RELEASE APPROVAL
LEVEL	AUTHORIZATION	INITIAL	INITIAL	DATE
A	EC 3759	C. CARDNO	L. PANI	3/4/84



The data in this proposal shall not be used or disclosed, except for evaluation purposes, provided that if a contract is awarded to this submitter as a result of or in connection with the submission of this proposal, the Government shall have the right to use or disclose any technical data to the extent provided herein. The Government shall not be bound by any restriction on the use or disclosure of technical data which is not proprietary to the submitter or is obtained from another source without restriction.

PROPRIETARY ASSEMBLY DRAWING

<p>THIS DRAWING CONTAINS INFORMATION PROPRIETARY TO PACE INC. ANY REPRODUCTION, DISCLOSURE OR USE OF THIS DRAWING IS EXPRESSLY PROHIBITED EXCEPT AS PACE INC. MAY OTHERWISE AGREE IN WRITING.</p>		<p>RAGE PACE Inc. 1000 Industrial Court Lynch, VA 24753, U.S.A. TEL (801) 485-5000 FAX (801) 485-5100</p>							
<p>UNLESS OTHERWISE SPECIFIED DIMENSIONS ARE IN INCHES. DO NOT SCALE.</p>		<p>TOLERANCES</p> <table border="1"> <tr> <th>2 PLACE</th> <th>3 PLACE</th> <th>ANGLES</th> </tr> <tr> <td>± .01</td> <td>± .005</td> <td>± .5°</td> </tr> </table>		2 PLACE	3 PLACE	ANGLES	± .01	± .005	± .5°
2 PLACE	3 PLACE	ANGLES							
± .01	± .005	± .5°							
<p>MATERIAL NONE</p>		<p>FINISH NONE</p>							
<p>F.S.C.M. NO. 17794</p>		<p>DWG. NO. R6993-0102</p>							
<p>REF. SCALE 1/1</p>		<p>SK OF 1</p>							



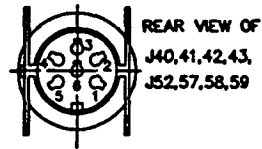
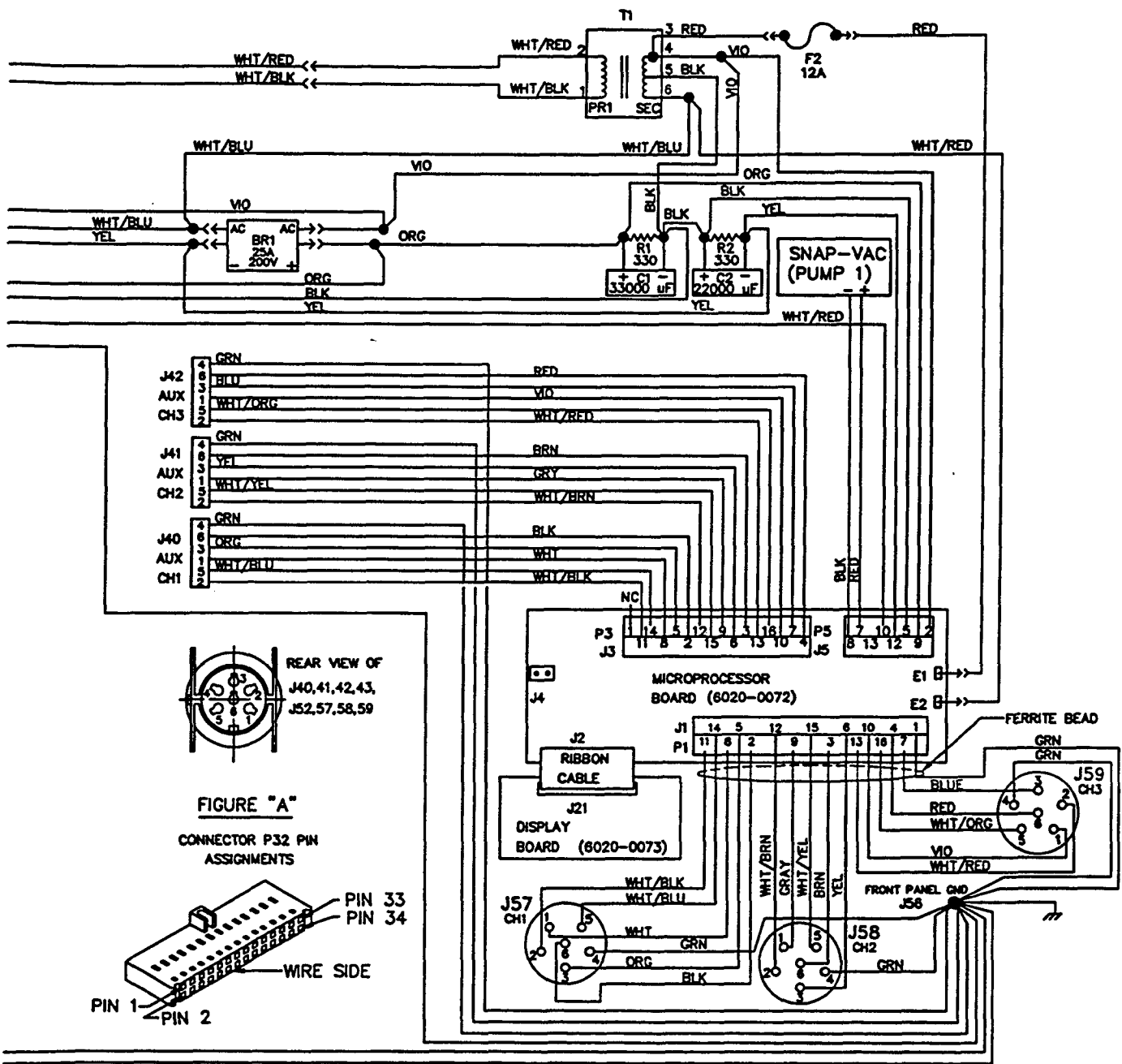
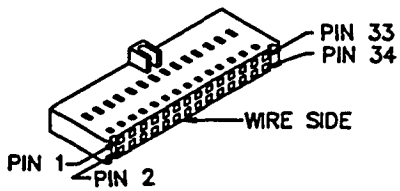
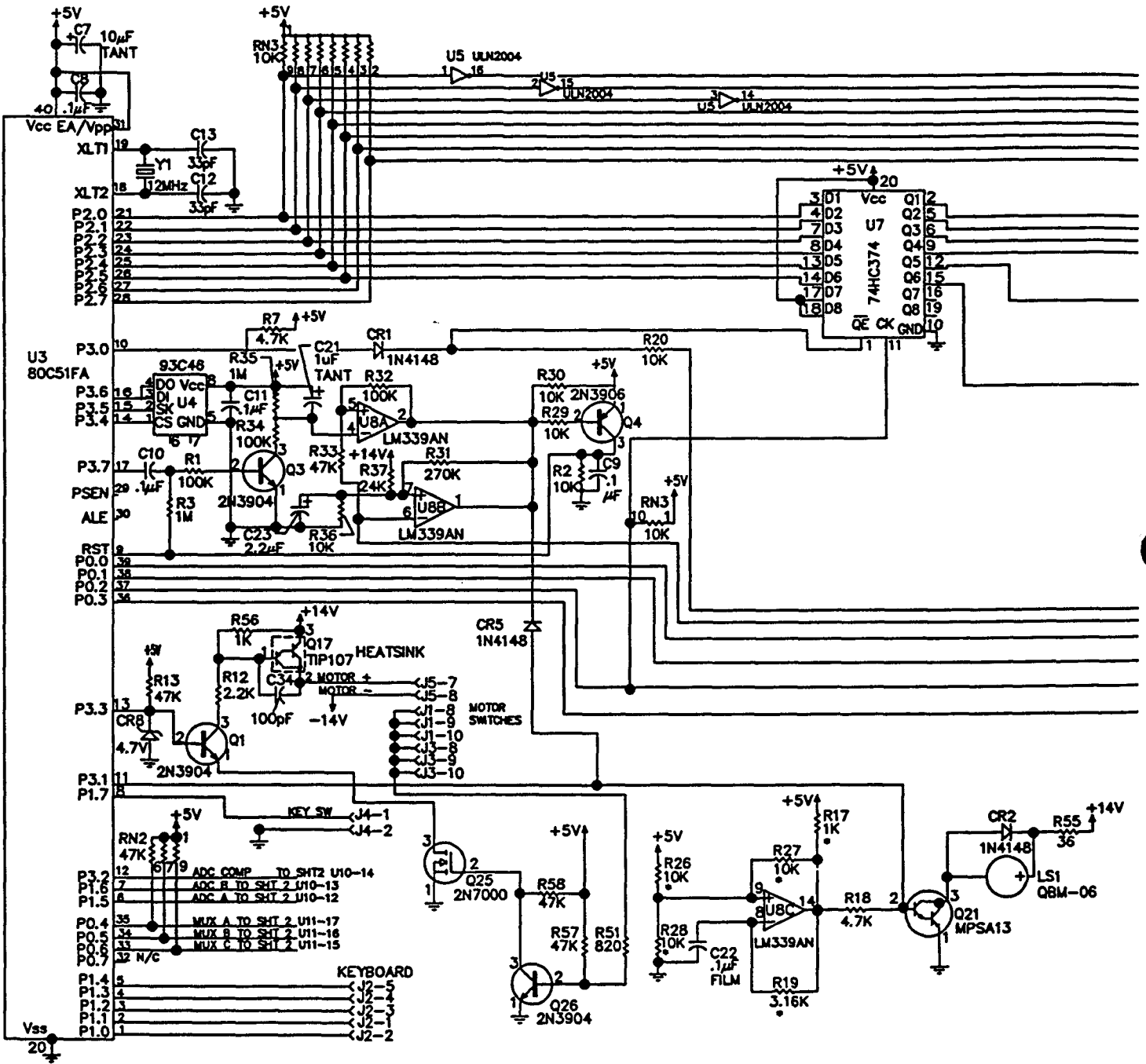
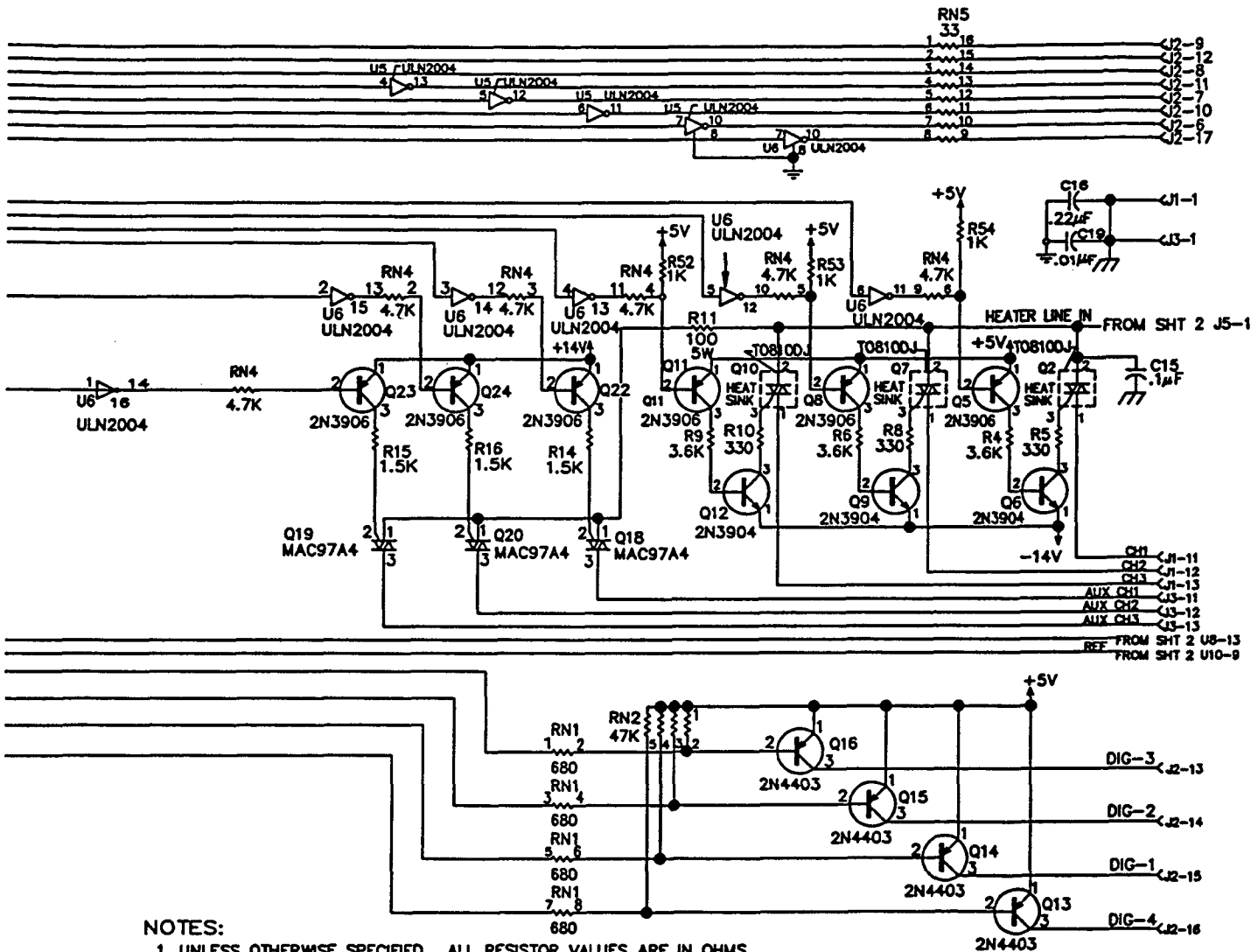


FIGURE "A"
CONNECTOR P32 PIN
ASSIGNMENTS

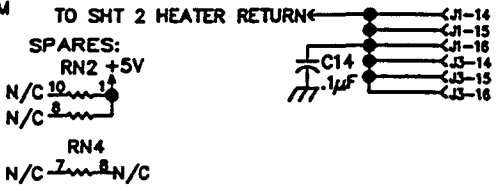


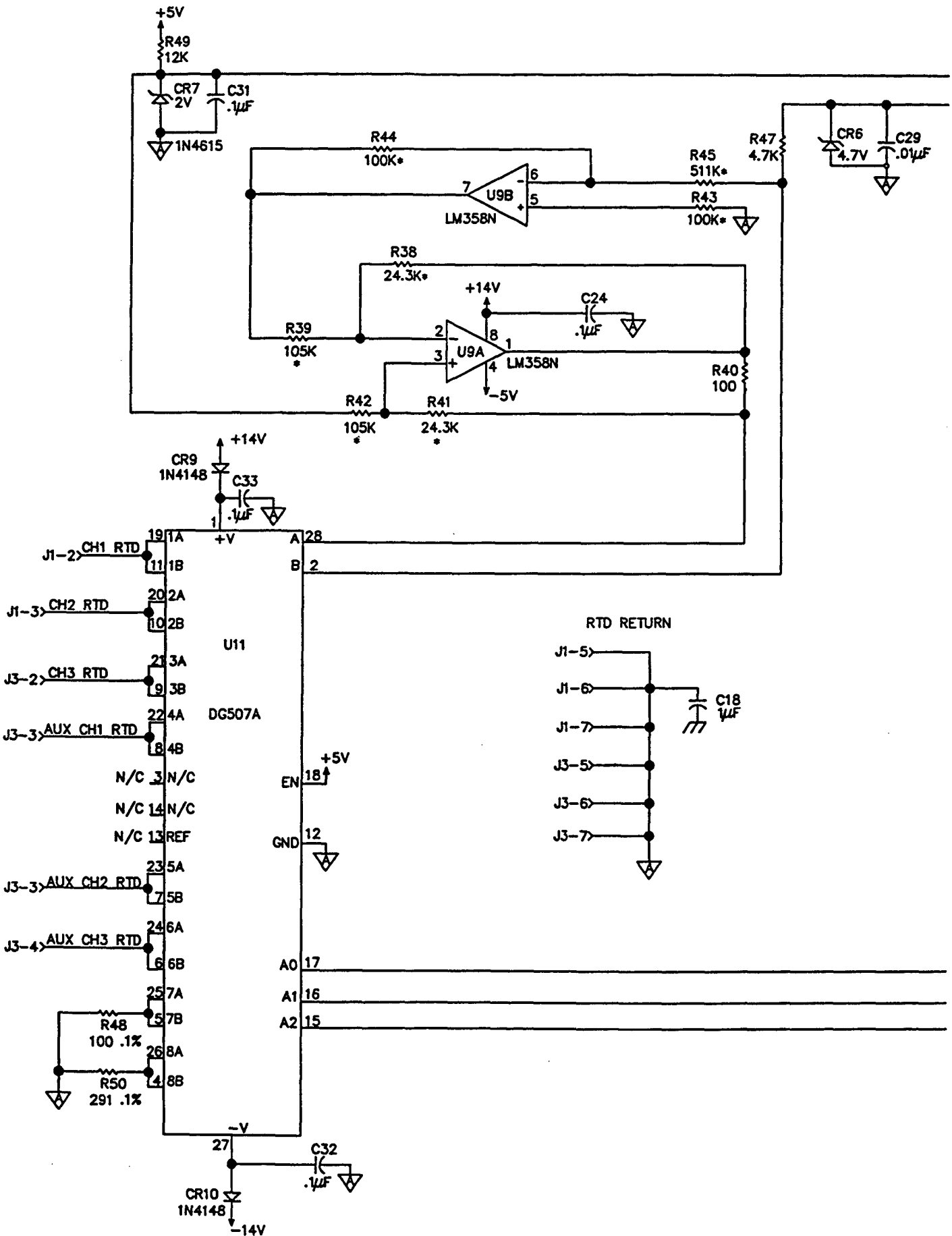


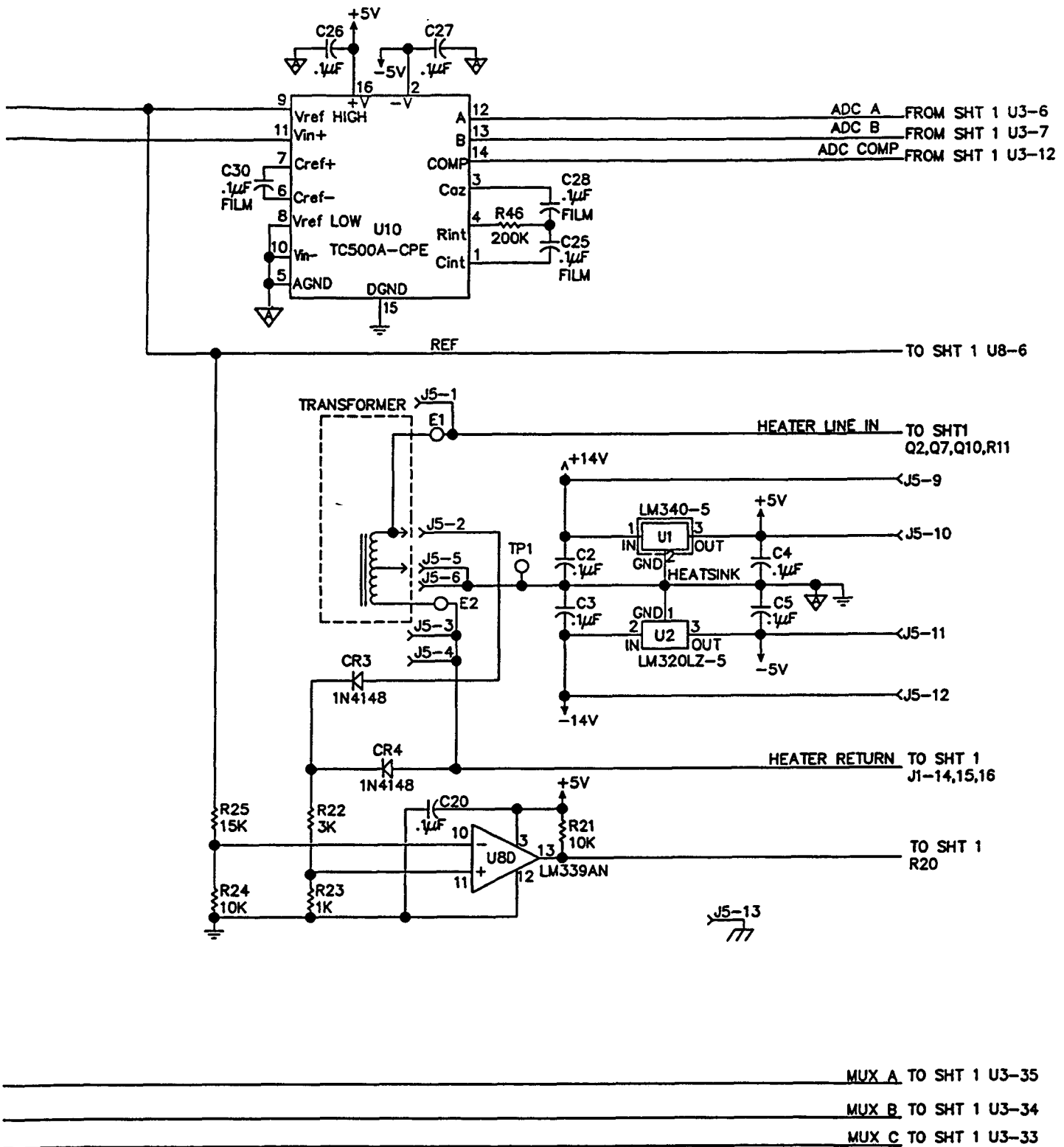


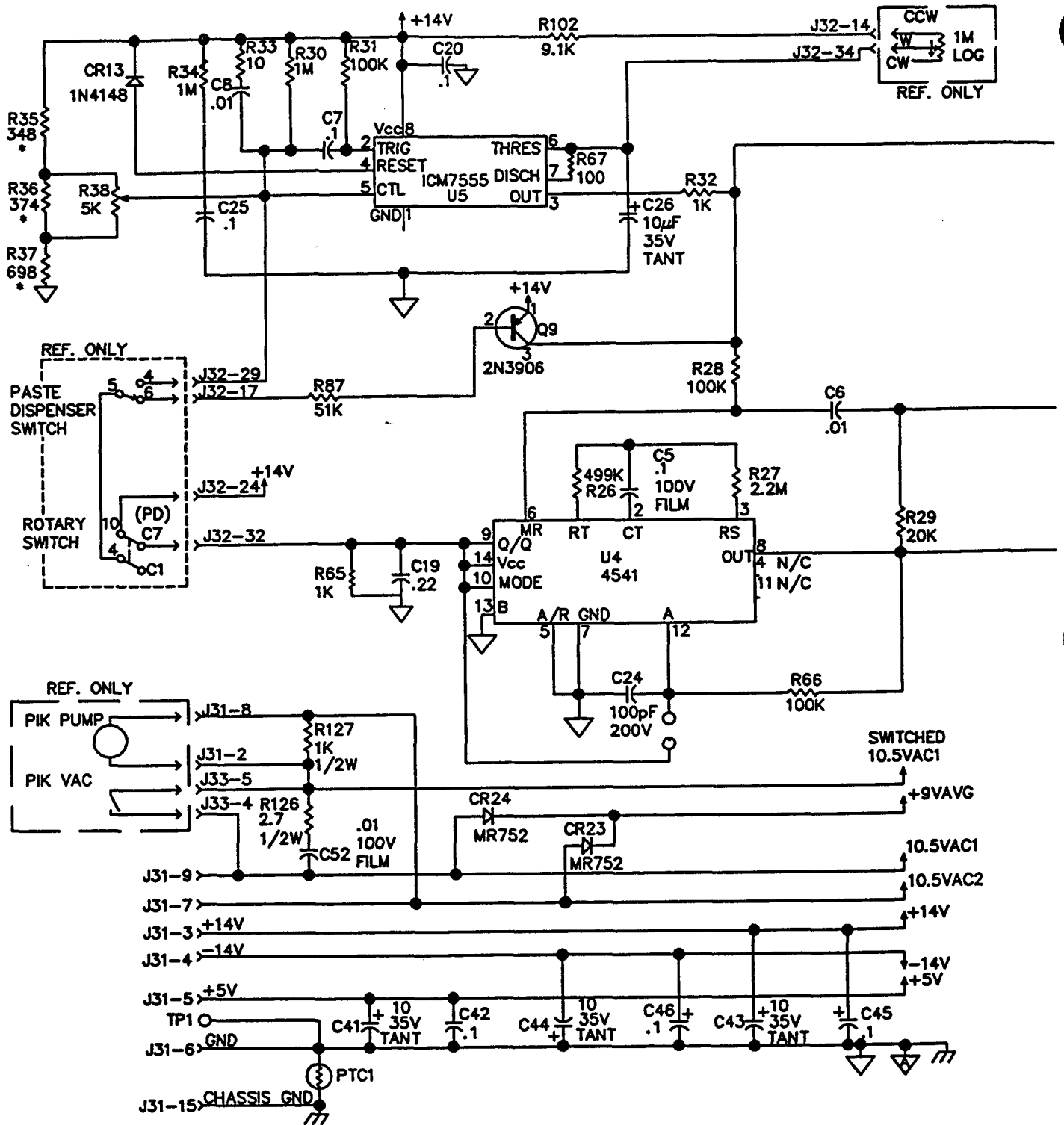
NOTES:

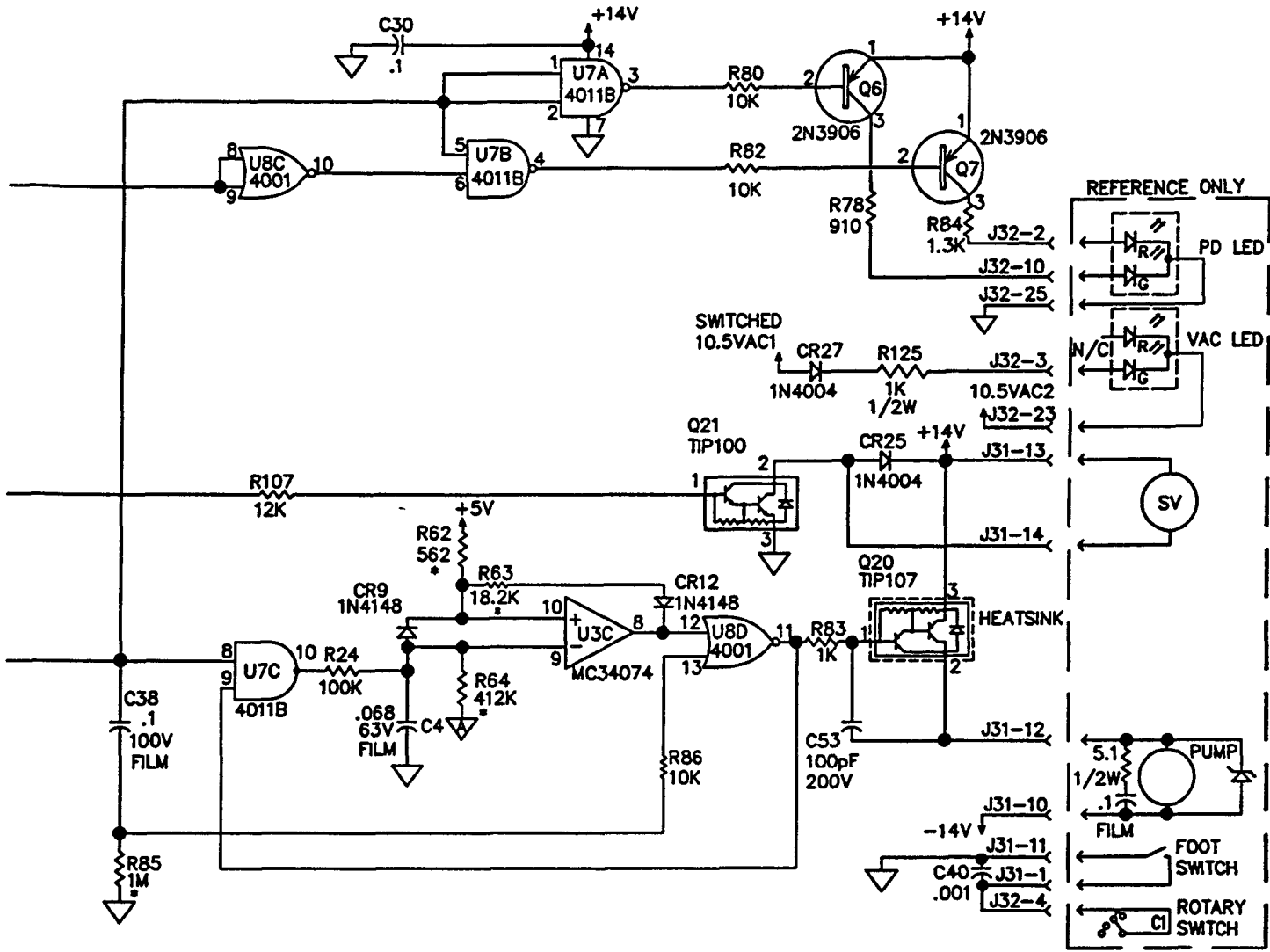
1. UNLESS OTHERWISE SPECIFIED, ALL RESISTOR VALUES ARE IN OHMS
2. UNLESS OTHERWISE SPECIFIED, ALL RESISTORS ARE 1/4W 5% CARBON FILM
3. UNLESS OTHERWISE SPECIFIED, ALL RESISTOR NETWORKS ARE 1/8W 2%
4. * DENOTES 1/8W 1% RESISTOR
5. ∇ = ANALOG GROUND
 /// = CHASSIS GROUND
 --- = DIGITAL GROUND







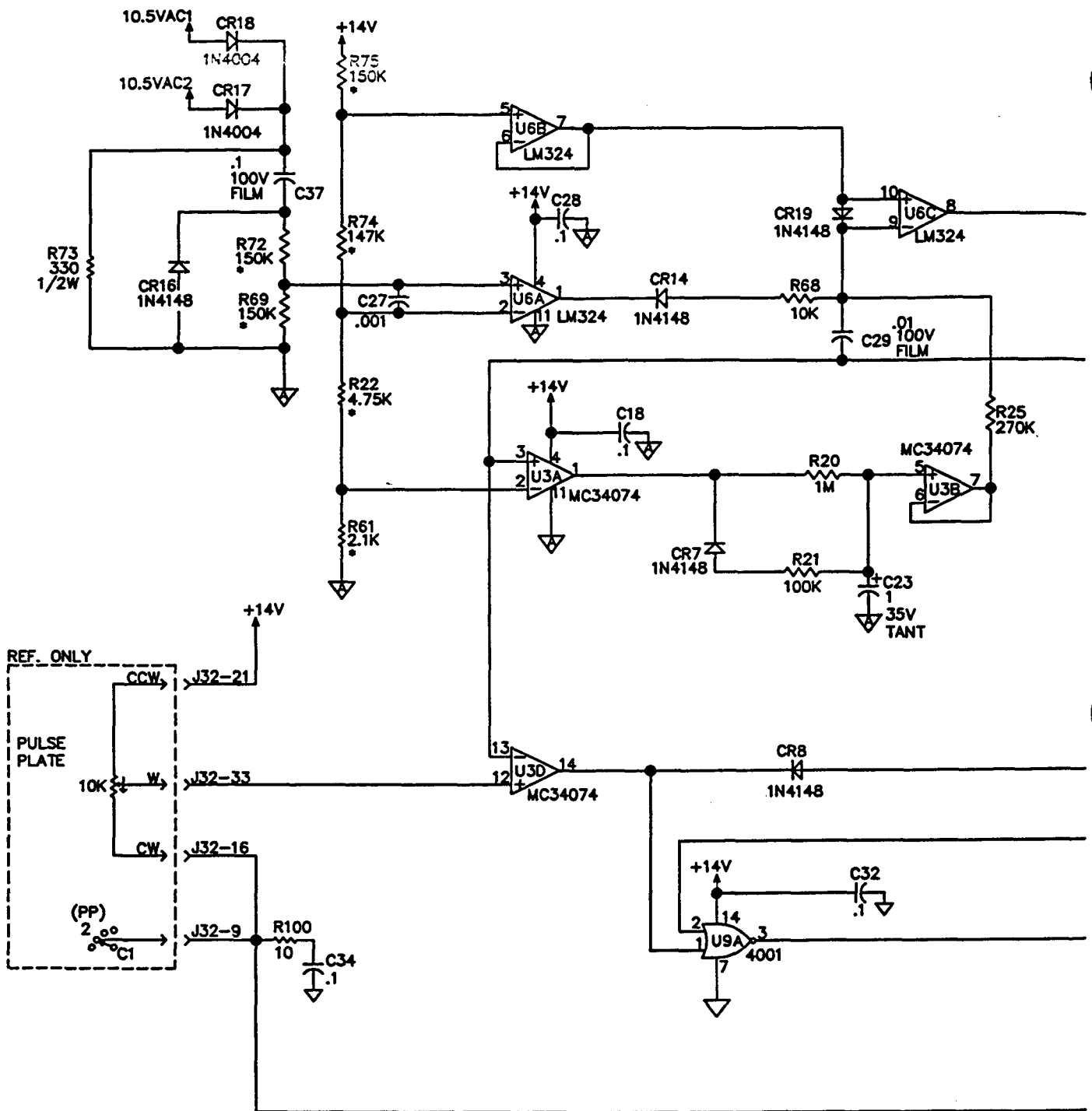


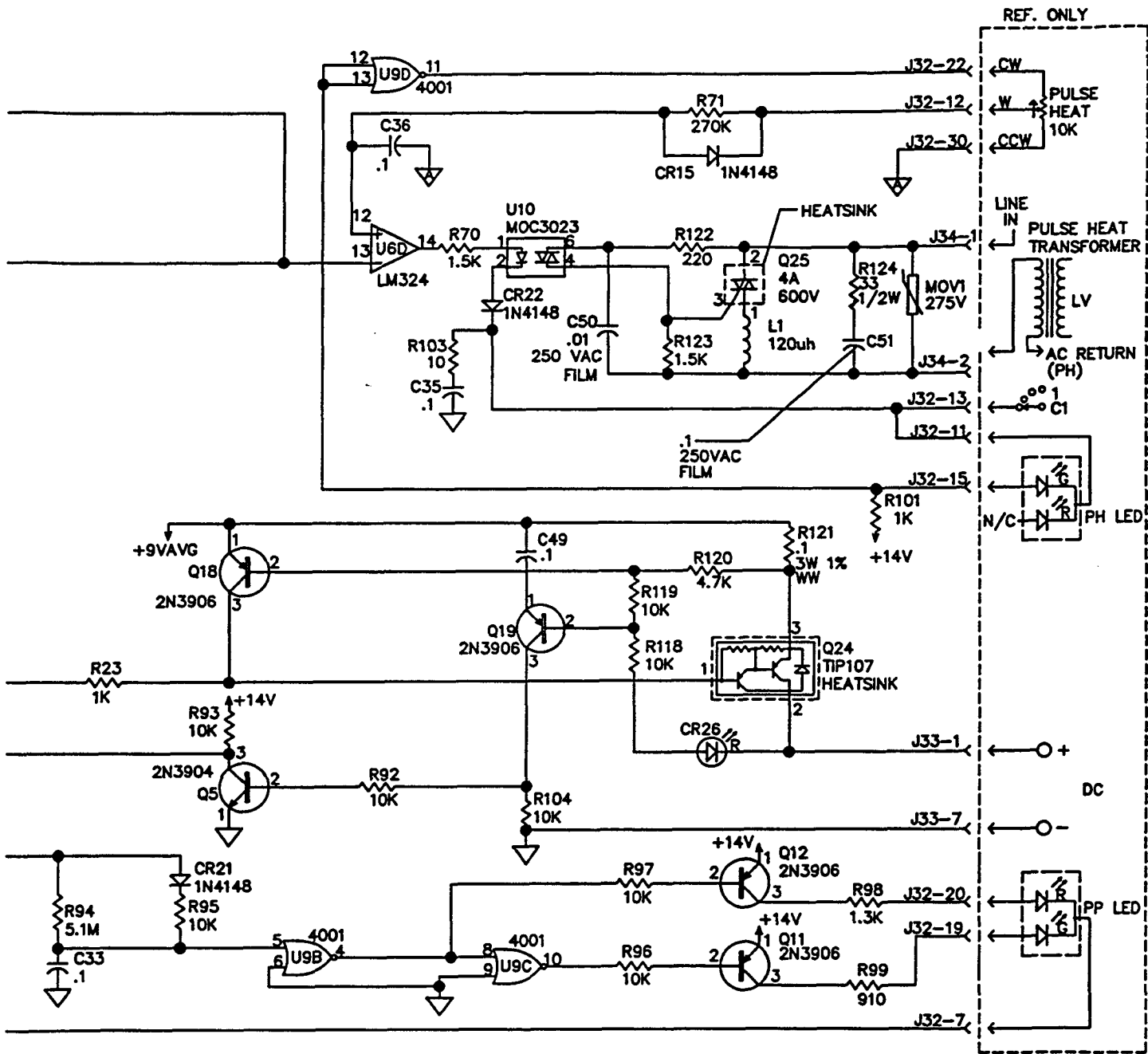


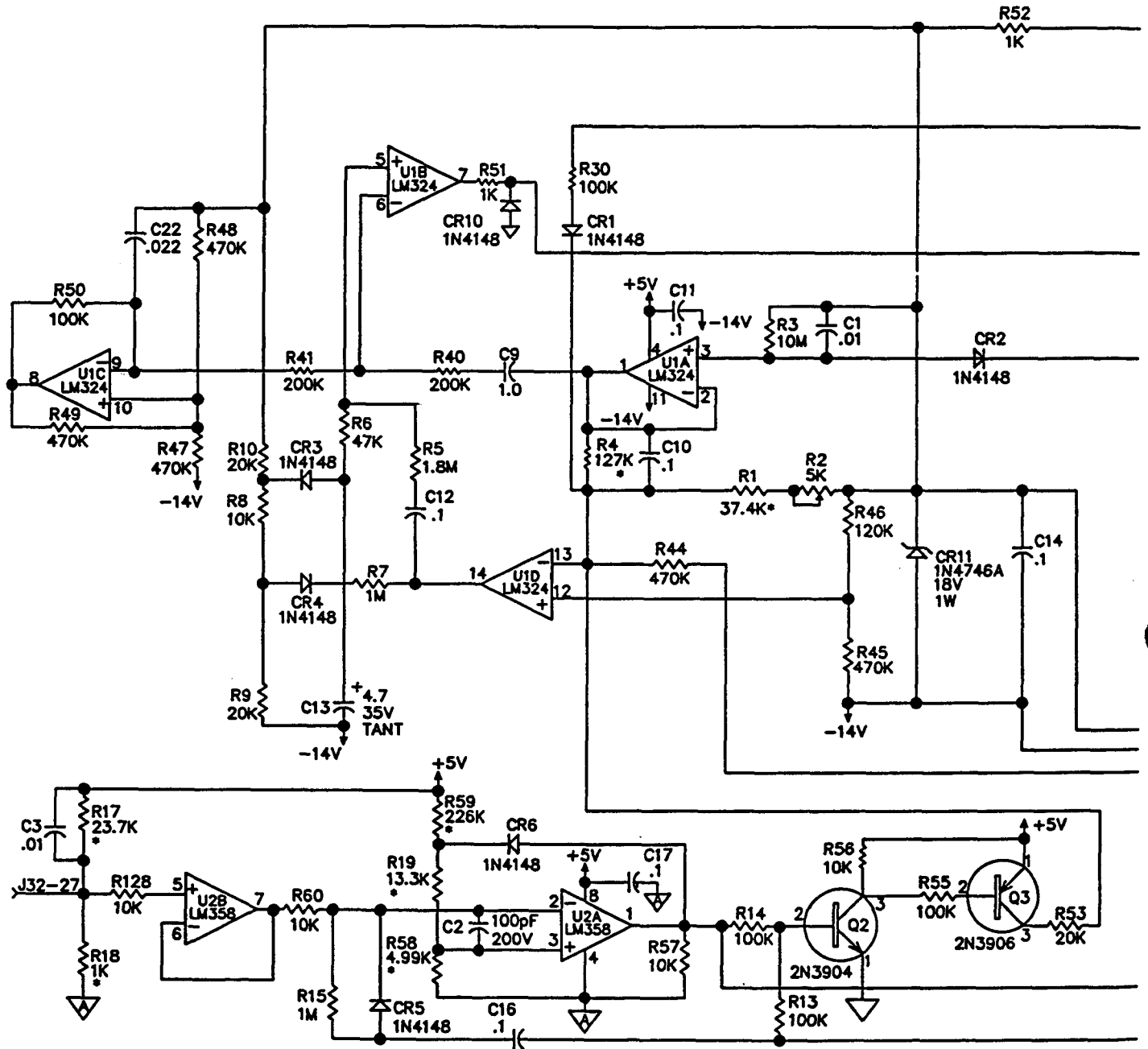
NOTES:

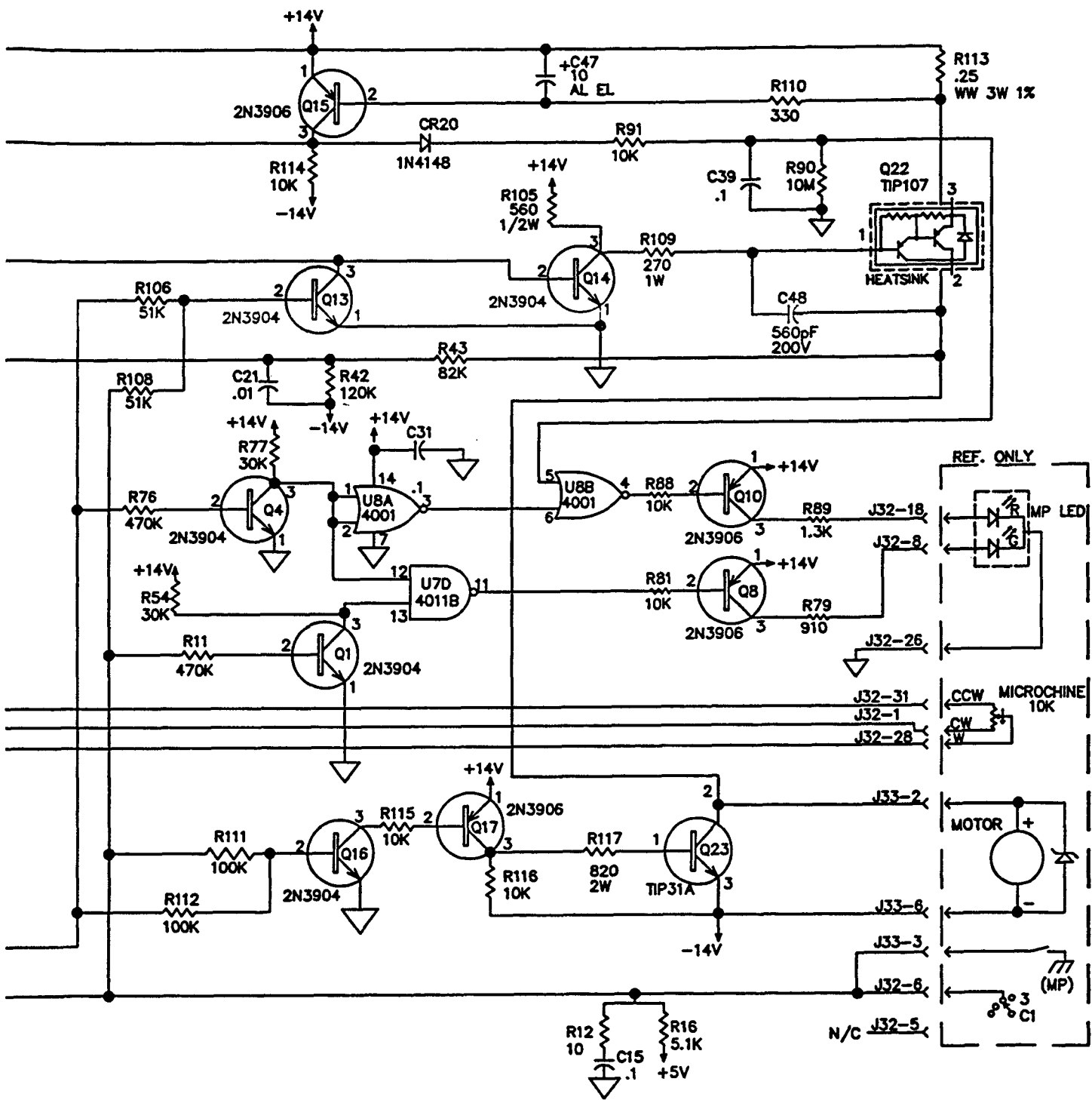
1. UNLESS OTHERWISE SPECIFIED, ALL RESISTOR VALUES ARE IN OHMS
2. UNLESS OTHERWISE SPECIFIED, ALL RESISTORS ARE 1/4W 5% CARBON FILM
3. * DENOTES 1/8W 1% METAL FILM RESISTOR.
4. UNLESS OTHERWISE SPECIFIED, ALL CAPACITOR VALUES ARE IN MICROFARADS.
5. UNLESS OTHERWISE SPECIFIED, ALL CAPACITORS ARE CERAMIC, 50V MIN.

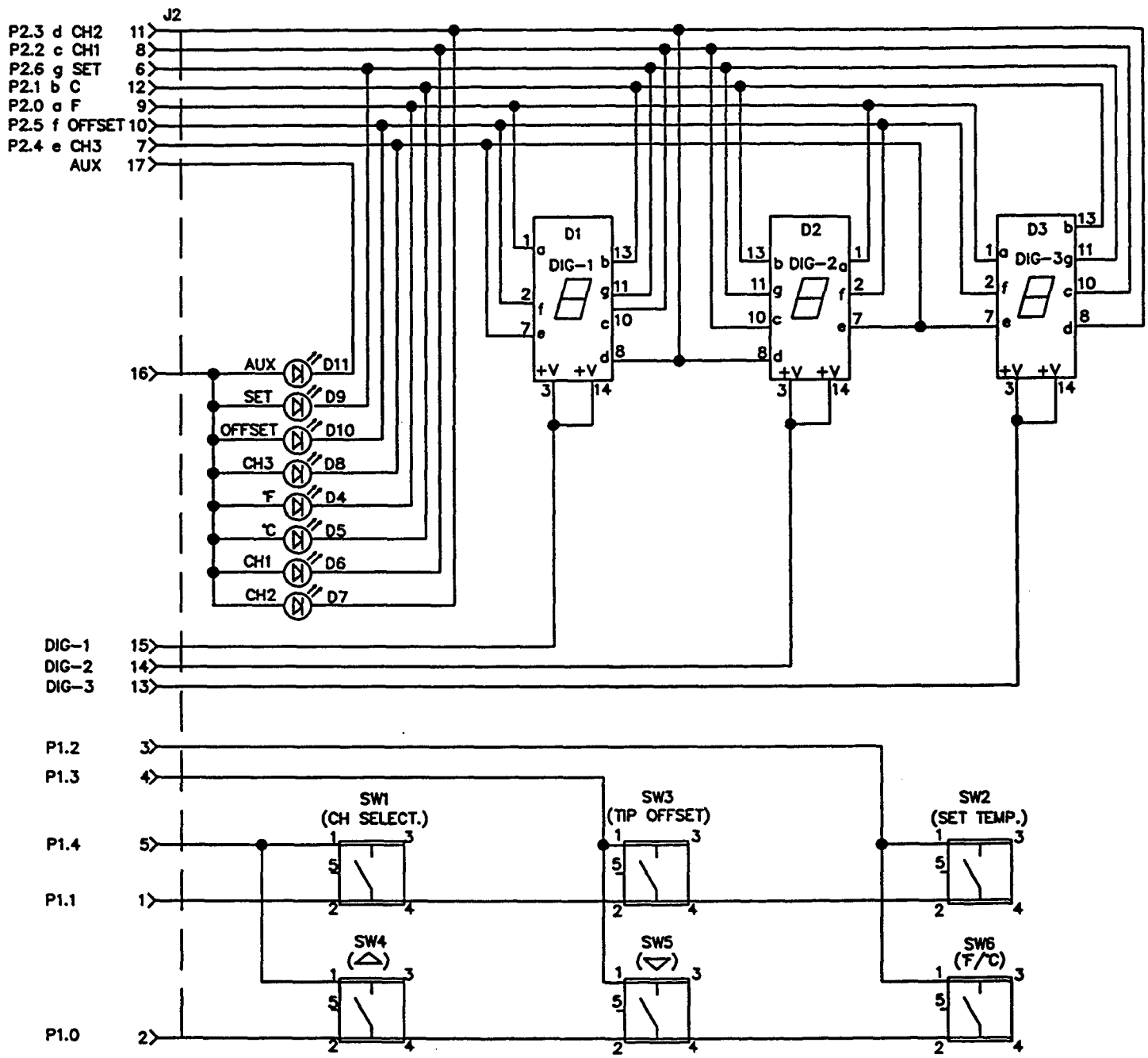
LAST USED	NOT USED
C53	
CR27	
J34	J1-J30
MOV1	
Q25	
R128	
TIP1	
U10	

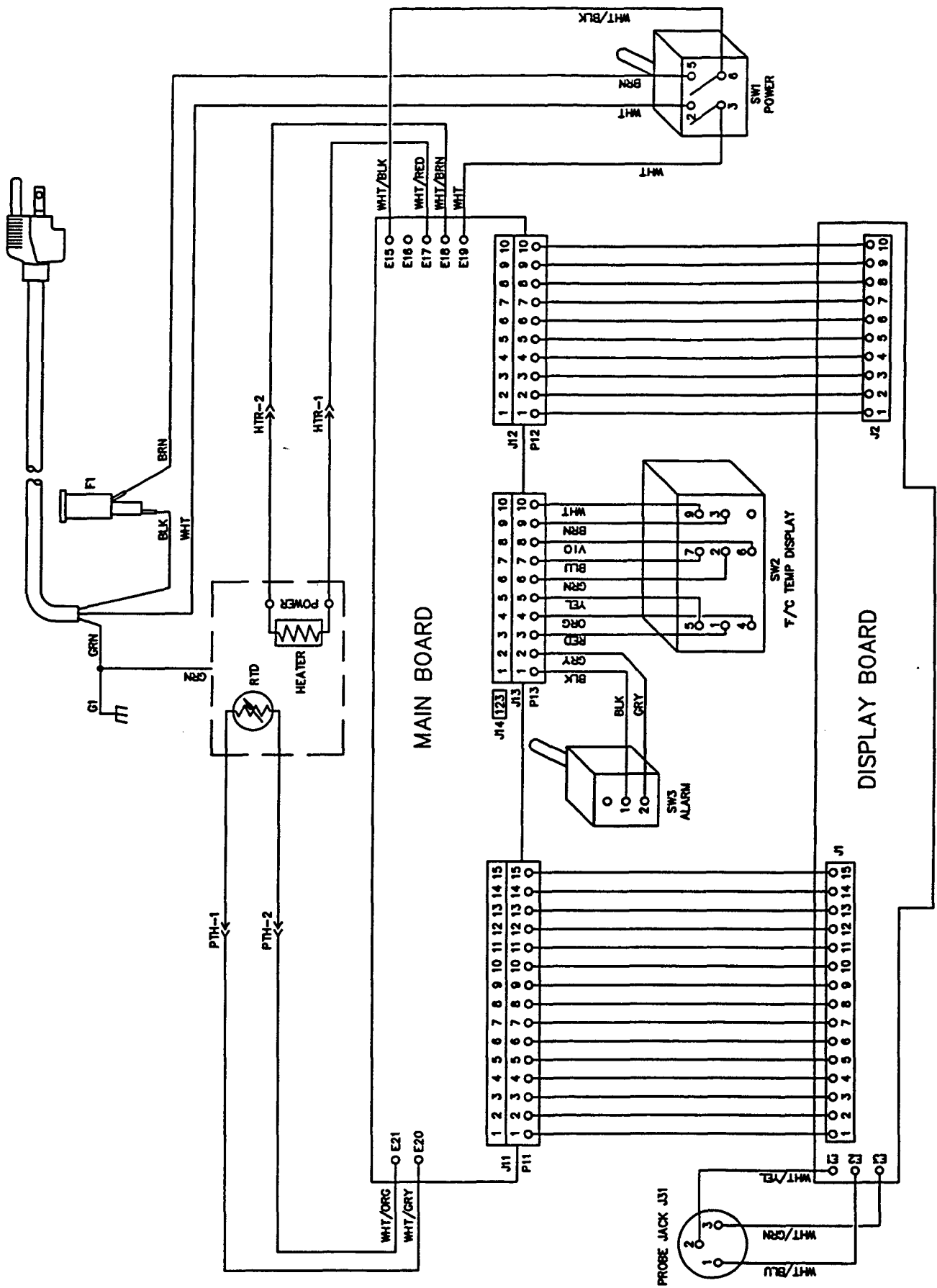




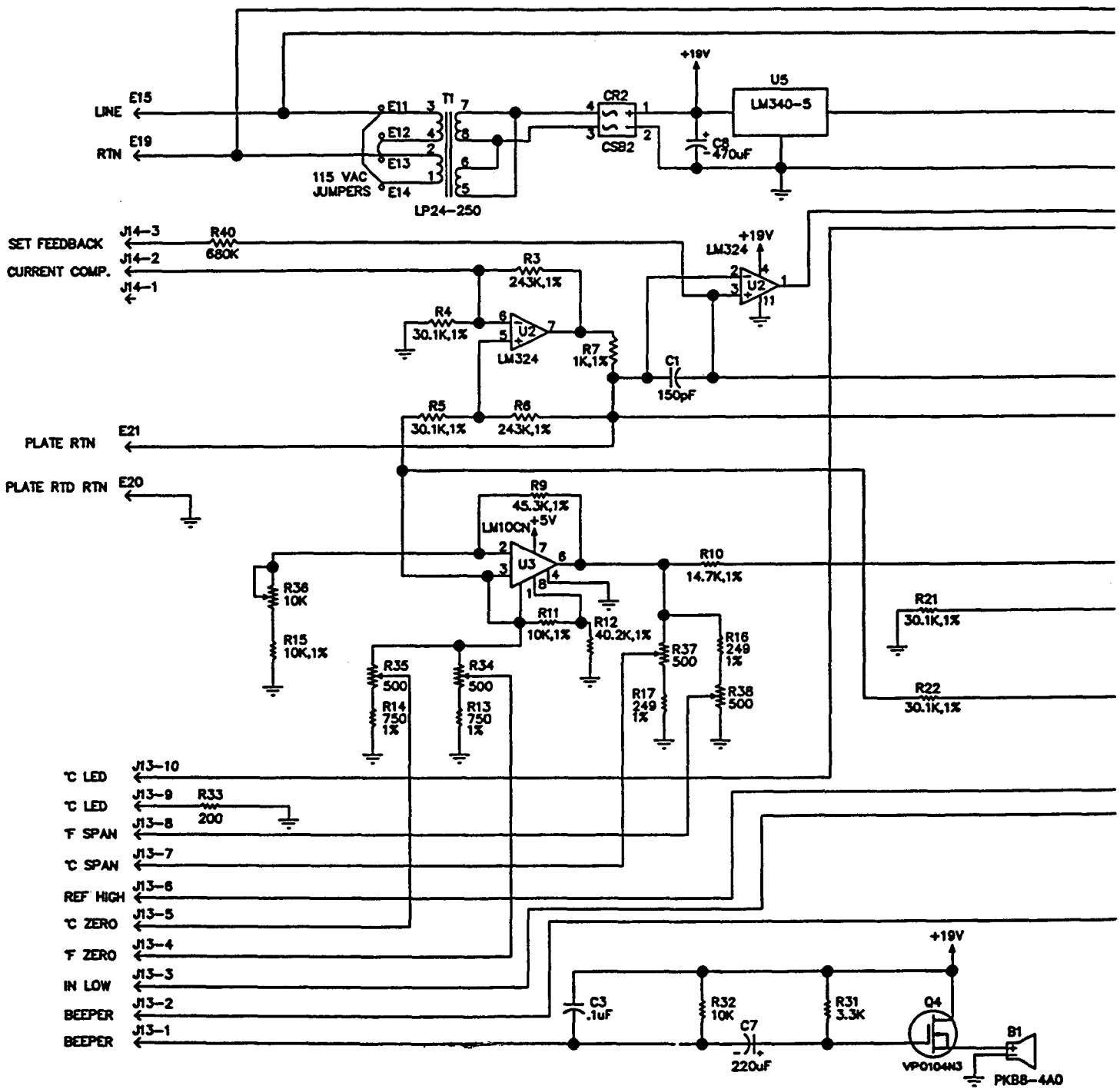


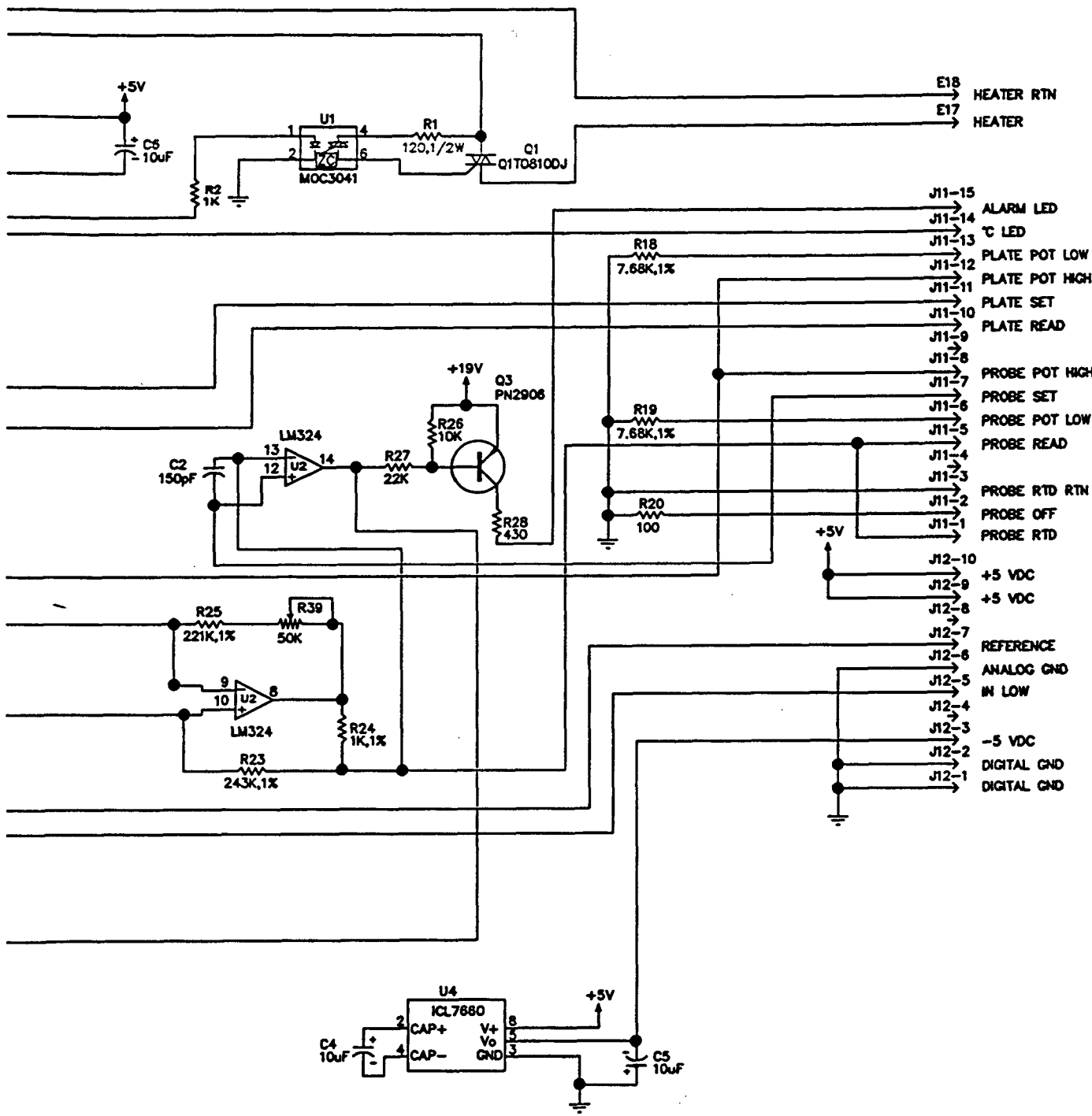




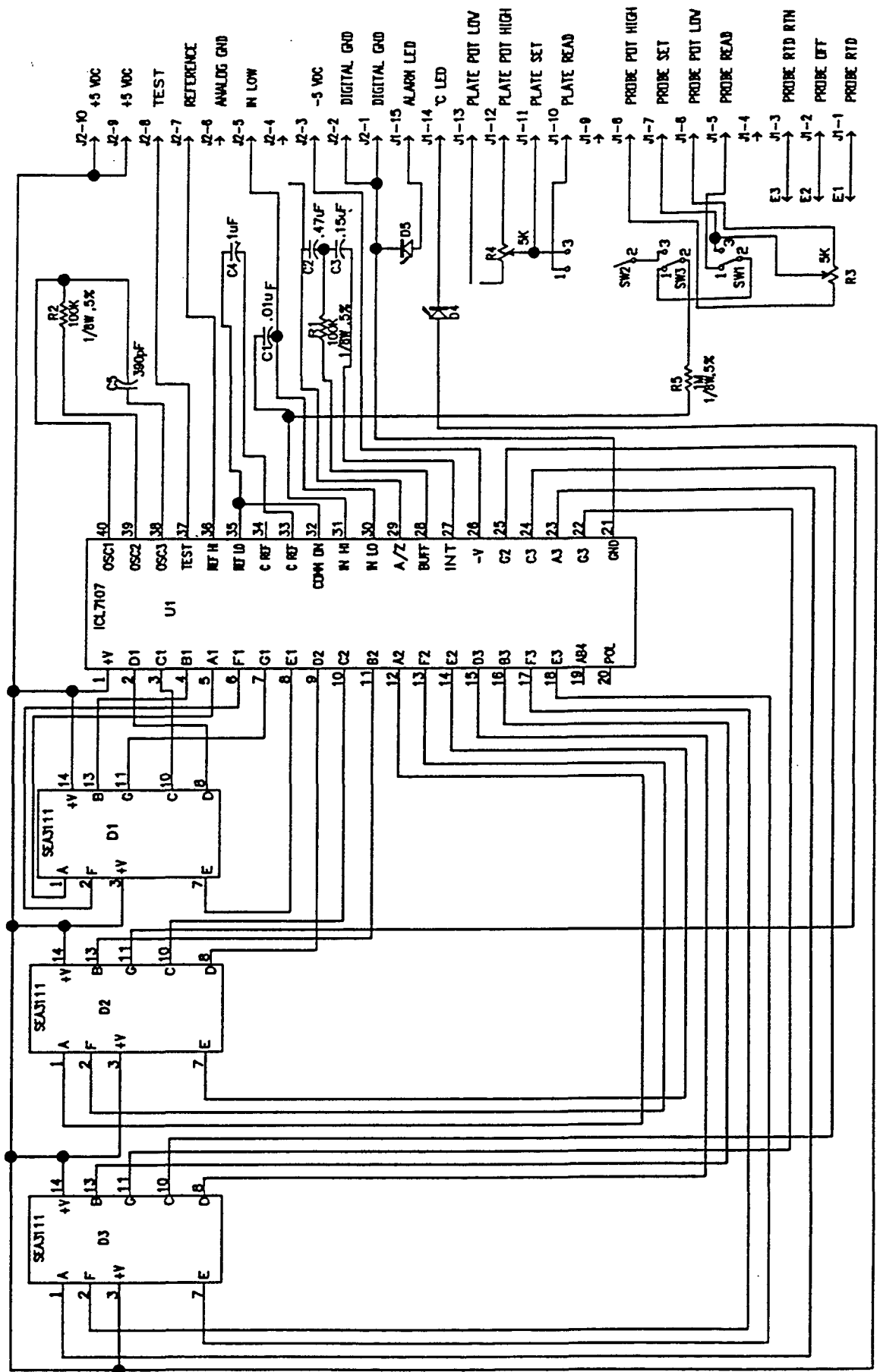


HS 150 Wiring Diagram





BLANK



HS 150 Display Board







*Systems for Development, Production
and Repair of Electronic Assemblies*

Additional copies of this manual or other PACE literature may be obtained from:

PACE Incorporated
Sales Administration
9893 Brewers Court
Laurel MD 20723-1990

(301) 490 - 9860
(301) 498 - 3252 Fax